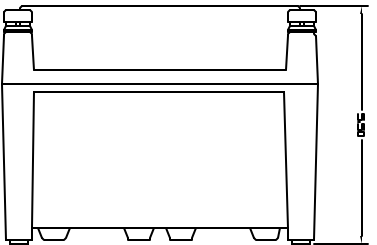
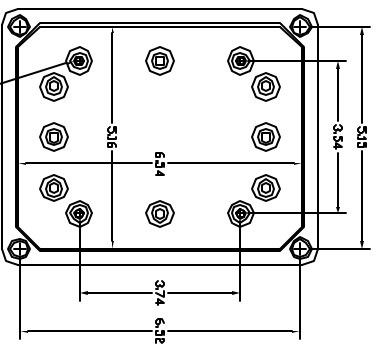


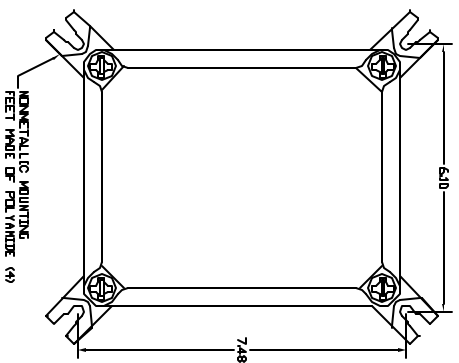
FRONT VIEW



R. SIDE VIEW

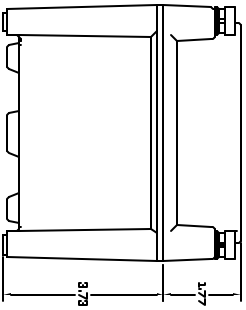


TOP VIEW-COVER REMOVED

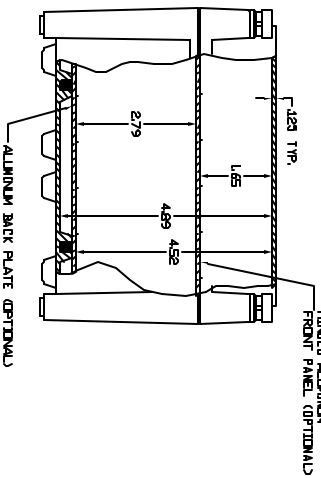


FRONT VIEW
MOUNTING FEET
DIMENSIONS

END VIEW



SECTION A-A



- NOTES:
1. FINISH: MATERIAL MADE OF GRAY GALV. ZN16.
 2. FINISH: MATERIAL MADE OF GRAY GALV. ZN16.
 3. FINISH: MATERIAL MADE OF GRAY GALV. ZN16.
 4. FINISH: MATERIAL MADE OF GRAY GALV. ZN16.
 5. FINISH: MATERIAL MADE OF GRAY GALV. ZN16.
 6. FINISH: MATERIAL MADE OF GRAY GALV. ZN16.
 7. SELF-EXTINGUISHING AND HALOGEN FREE.
 8. CABINETS ARE MAINTENANCE FREE AND CORROSION RESISTANT.

THE MANUFACTURER OF THE ENCLOSURE REPRESENTS AND WARRANTS THAT THE ENCLOSURE IS CONFORMANT WITH THE REQUIREMENTS OF THE FEDERAL COMMUNICATIONS COMMISSION (FCC) PART 15.		THIS ENCLOSURE IS MADE OF UNION BRIDGE STEEL AND IS CONFORMANT WITH THE REQUIREMENTS OF THE NATIONAL ELECTRICAL MANUFACTURERS ASSOCIATION (NEMA) TYPE 1.	
DRAWN BY: [] CHECKED BY: [] SCALE: []	DATE: [] ORDER NO.: [] DATE: []	VYNGKLEER ENCLASURE SYSTEM, INC. 1700 EAST 17TH AVENUE DENVER, CO 80202	