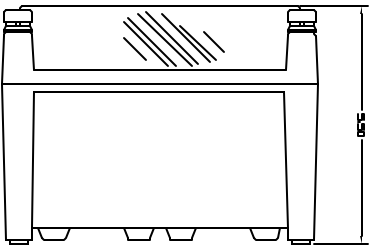
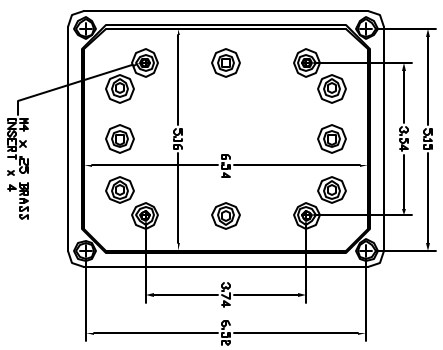


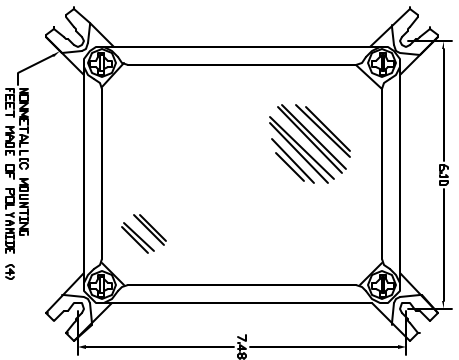
FRONT VIEW



R. SIDE VIEW

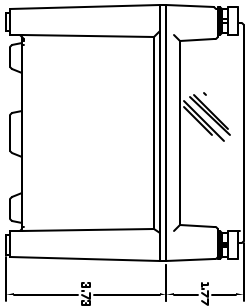


TOP VIEW-COVER REMOVED

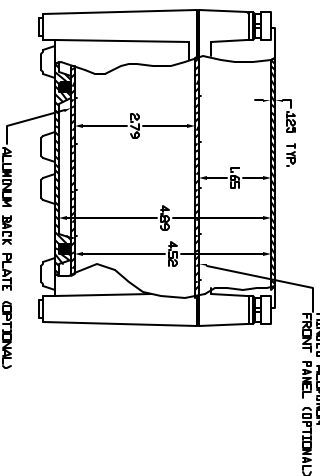


FRONT VIEW MOUNTING FEET DIMENSIONS

END VIEW



SECTION A-A



- NOTES:**
1. FINISH: MATERIAL MADE OF GRAY GALV. ZN16.
  2. FINISH: MATERIAL MADE OF GRAY GALV. ZN16.
  3. FINISH: MATERIAL MADE OF GRAY GALV. ZN16.
  4. FINISH: MATERIAL MADE OF GRAY GALV. ZN16.
  5. FINISH: MATERIAL MADE OF GRAY GALV. ZN16.
  6. FINISH: MATERIAL MADE OF GRAY GALV. ZN16.
  7. SELF-EXTINGUISHING AND HALOGEN FREE.
  8. COBLENTS ARE MAINTENANCE FREE AND CORROSION RESISTANT.

THE QUALITY OF THE <b>REPUTATION</b> AND RELIABILITY OF VYNCKLER SYSTEMS, INC. IS THE RESULT OF THE RIGOROUS TESTING AND VERIFICATION PROCEDURES OF ISO 9001:2015.		UNLESS OTHERWISE SPECIFIED ALL DIMENSIONS ARE IN INCHES AND DECIMALS THEREOF.		VYNCKLER PART # <b>AI-706CT</b> <b>APO SERIES ENCLOSURE</b>	
DRAWING NO. AI-706CT	DATE 08/14/2024	CHECKED BY J. B. BROWN	SCALE 1" = 1"	DESIGNED BY J. B. BROWN	DATE 08/14/2024
<b>VYNCKLER</b> ENCLASURE SYSTEM, INC.			MADE IN THE USA		