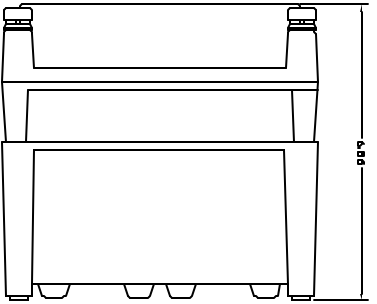
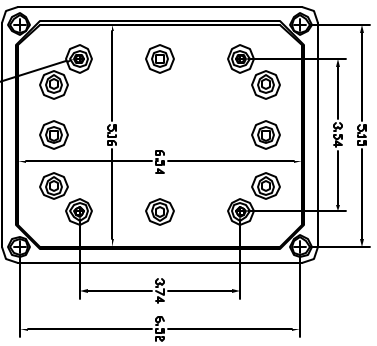


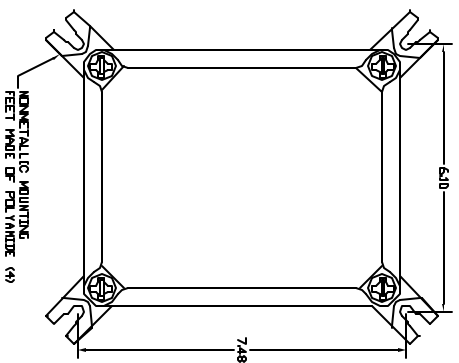
FRONT VIEW



R. SIDE VIEW

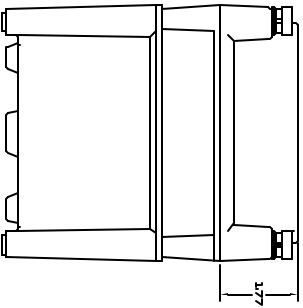


TOP VIEW-COVER REMOVED

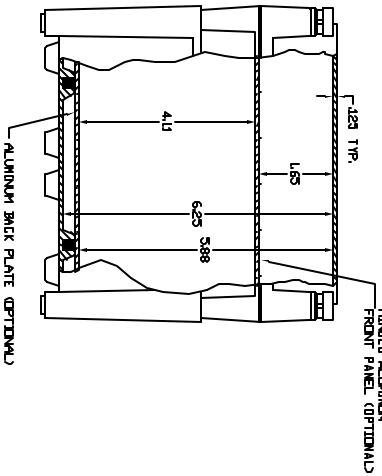


FRONT VIEW MOUNTING FEET DIMENSIONS

END VIEW



SECTION A-A



- NOTES:
1. FINISH: MATERIAL MADE OF GRAY GALV. ZN16.
 2. FINISH: MATERIAL MADE OF GRAY GALV. ZN16.
 3. FINISH: MATERIAL MADE OF GRAY GALV. ZN16.
 4. FINISH: MATERIAL MADE OF GRAY GALV. ZN16.
 5. FINISH: MATERIAL MADE OF GRAY GALV. ZN16.
 6. FINISH: MATERIAL MADE OF GRAY GALV. ZN16.
 7. SELF-EXTINGUISHING AND HALOGEN FREE.
 8. CABINETS ARE MAINTENANCE FREE AND CORROSION RESISTANT.

THE DESIGN OF THE ENCLOSURE IS THE PROPERTY OF VYNGKLEER SYSTEM, INC. NO PART OF THIS DRAWING IS TO BE REPRODUCED OR TRANSMITTED IN ANY FORM OR BY ANY MEANS, ELECTRONIC OR MECHANICAL, FOR PUBLICATION OR OTHERWISE WITHOUT THE WRITTEN PERMISSION OF VYNGKLEER SYSTEM, INC.		UNLESS OTHERWISE SPECIFIED ALL DIMENSIONS ARE IN INCHES DIMENSIONS IN PARENTHESIS ARE IN MILLIMETERS	
VYNGKLEER PART # AL-706E1 APO SERIES ENCLOSURE	VYNGKLEER SYSTEM, INC. VYNGKLEER ENCLOSURE SYSTEM, INC.	DRAWN BY DATE	CHECKED BY DATE
SCALE FULL	SHEET NO. 1	DRAWING NO. M-1000	DATE