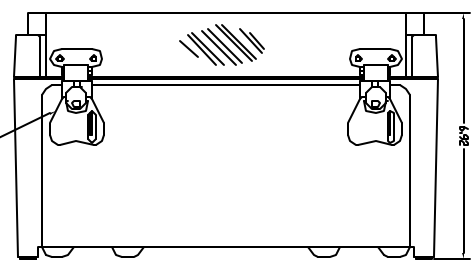
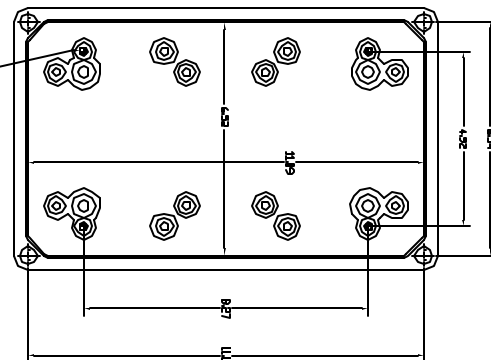


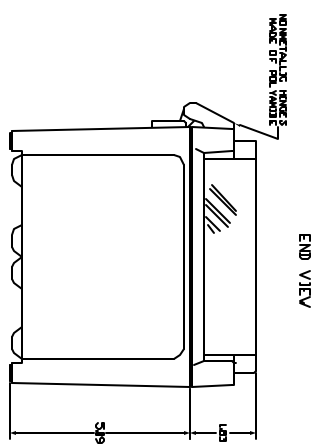
FRONT VIEW



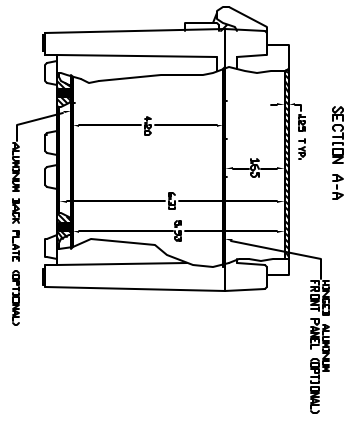
RIGHT SIDE VIEW
LATCHES SHOWN THIS VIEW ONLY



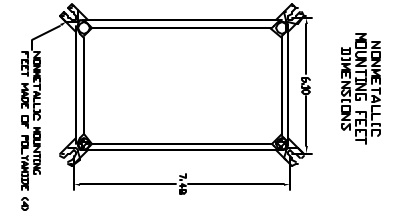
FRONT VIEW COVER REMOVED



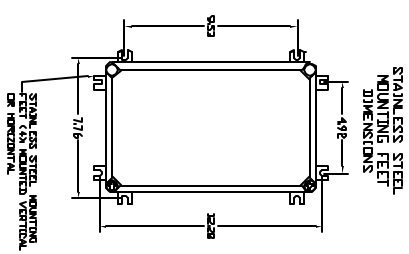
END VIEW



SECTION A-A



NONMETALLIC MOUNTING FEET DIMENSIONS



STAINLESS STEEL MOUNTING FEET DIMENSIONS

- NOTES:**
1. THIS DRAWING APPLICABLE FOR ONLY POLYIMIDE.
 2. FOR ALUMINUM FEET, SEE DRAWING FOR POLYIMIDE.
 3. DIMENSIONS ARE IN MILLIMETERS UNLESS OTHERWISE SPECIFIED.
 4. DIMENSIONS ARE IN INCHES UNLESS OTHERWISE SPECIFIED.
 5. DIMENSIONS ARE IN MILLIMETERS UNLESS OTHERWISE SPECIFIED.
 6. DIMENSIONS ARE IN INCHES UNLESS OTHERWISE SPECIFIED.
 7. DIMENSIONS ARE IN MILLIMETERS UNLESS OTHERWISE SPECIFIED.
 8. DIMENSIONS ARE IN INCHES UNLESS OTHERWISE SPECIFIED.

<p>YVONCKEER RELIABLE SYSTEMS, INC.</p>		<p>DESIGNER: J. H. HARRIS DRAWN BY: J. H. HARRIS CHECKED BY: J. H. HARRIS DATE: 10/1/88</p>		<p>ISS. NUMBER: 21.10 REVISIONS: 1.0 DATE: 10/1/88 BY: J. H. HARRIS</p>	
<p>YVONCKEER RELIABLE SYSTEMS, INC.</p>		<p>MODEL NUMBER: APO SERIES ENCLOSURE PART NUMBER: 21.10</p>		<p>ISS. NUMBER: 21.10 REVISIONS: 1.0 DATE: 10/1/88 BY: J. H. HARRIS</p>	