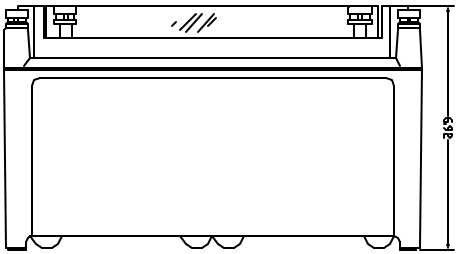
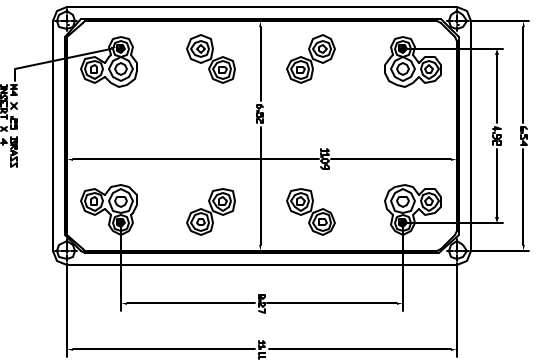


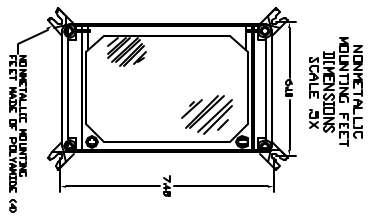
FRONT VIEW



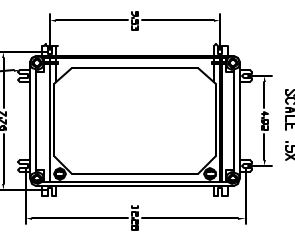
RIGHT SIDE VIEW



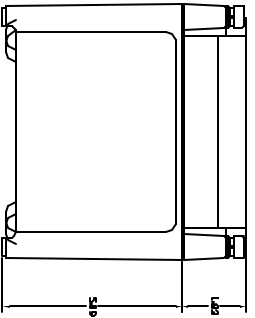
FRONT VIEW COVER REMOVED



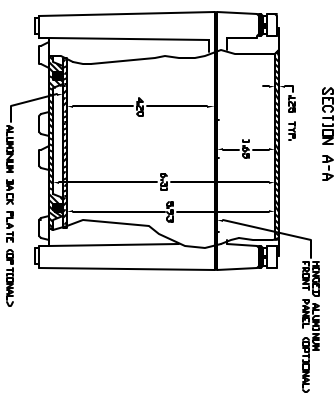
NONMETALLIC MOUNTING FEET DIMENSIONS SCALE 2X



STAINLESS STEEL MOUNTING FEET DIMENSIONS SCALE 1/2X



END VIEW



SECTION A-A

- 1. ENCLOSURE MATERIAL MADE OF GALV. GAL. STEEL.
- 2. FINISH IS TO BE DETERMINED BY THE BUYER.
- 3. ENCLOSURE SHALL BE ASSEMBLED AND TESTED.
- 4. ENCLOSURE SHALL BE ASSEMBLED AND TESTED.
- 5. ENCLOSURE SHALL BE ASSEMBLED AND TESTED.
- 6. ENCLOSURE SHALL BE ASSEMBLED AND TESTED.
- 7. ALL DIMENSIONS ARE TO FACE UNLESS OTHERWISE SPECIFIED.
- 8. DIMENSIONS ARE TO FACE UNLESS OTHERWISE SPECIFIED.
- 9. DIMENSIONS ARE TO FACE UNLESS OTHERWISE SPECIFIED.
- 10. DIMENSIONS ARE TO FACE UNLESS OTHERWISE SPECIFIED.

| | |
|--|-------------|
| VYNCKEIER MILWAUKEE DIVISION, INC. | |
| A31-1207DT APO SERIES ENCLOSURE | |
| ORDER NO. | QUANTITY |
| DATE ORDERED | ORDER NO. |
| ORDERED BY | APPROVED BY |
| DRAWN BY | CHECKED BY |
| DATE | SCALE |