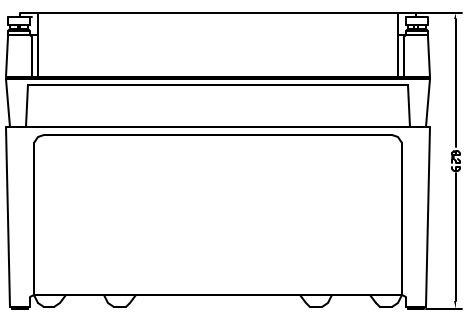
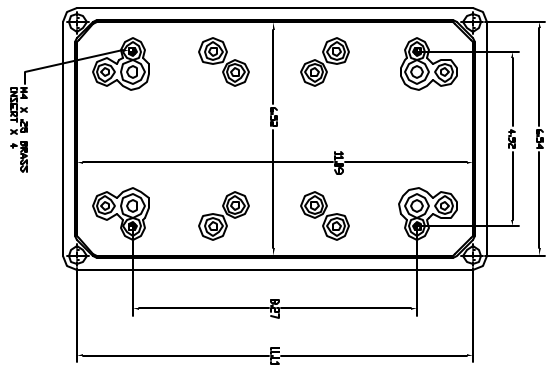


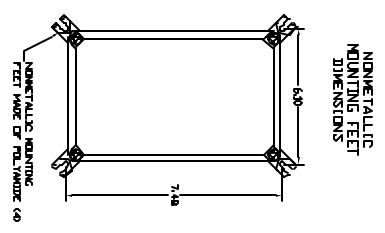
FRONT VIEW



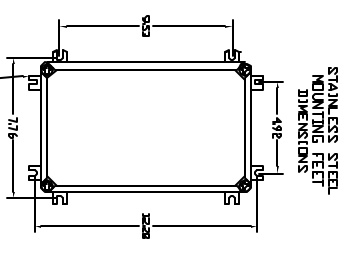
RIGHT SIDE VIEW



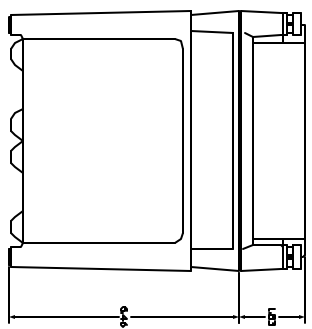
FRONT VIEW DOOR REMOVED



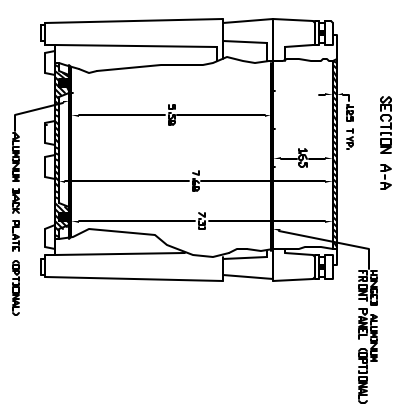
NONMETALLIC MOUNTING FEET DIMENSIONS



STAINLESS STEEL MOUNTING FEET DIMENSIONS



END VIEW



SECTION A-A

- NOTES:**
1. FINISHED ALUMINUM, MADE OF 6061 T6, 3003.
  2. FINISHED ALUMINUM, MADE OF 6061 T6, 3003.
  3. FINISHED ALUMINUM, MADE OF 6061 T6, 3003.
  4. FINISHED ALUMINUM, MADE OF 6061 T6, 3003.
  5. FINISHED ALUMINUM, MADE OF 6061 T6, 3003.
  6. FINISHED ALUMINUM, MADE OF 6061 T6, 3003.
  7. FINISHED ALUMINUM, MADE OF 6061 T6, 3003.
  8. FINISHED ALUMINUM, MADE OF 6061 T6, 3003.
  9. FINISHED ALUMINUM, MADE OF 6061 T6, 3003.
  10. FINISHED ALUMINUM, MADE OF 6061 T6, 3003.

<b>YVONKLEER</b> INDUSTRIAL SYSTEMS, INC.	
VARIOUS PART # <b>AS11907E1</b> <b>APO SERIES ENCLOSURE</b>	
DRAWN BY: [ ] CHECKED BY: [ ] DATE: [ ]	DESIGNED BY: [ ] DATE: [ ]
REVISION 1 DATE: [ ]	REVISION 2 DATE: [ ]