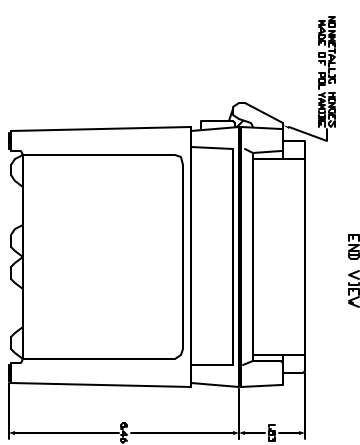
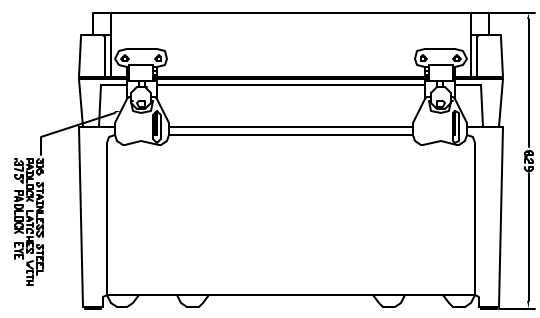


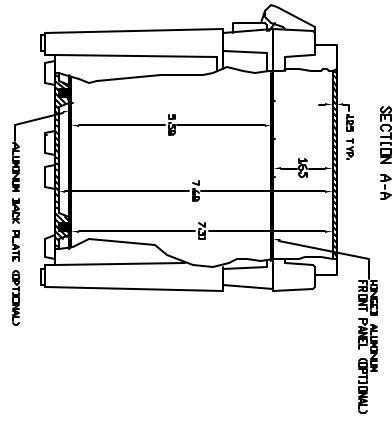
FRONT VIEW



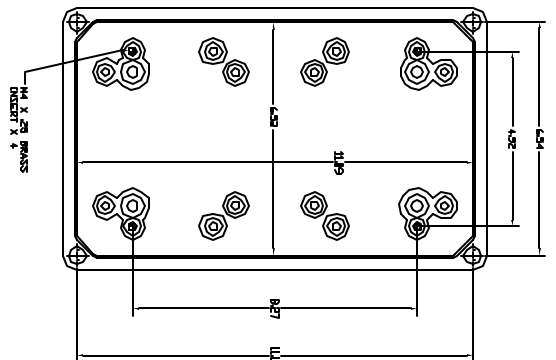
END VIEW



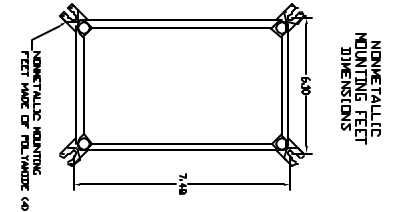
RIGHT SIDE VIEW
LATCHES SHOWN THIS VIEW ONLY



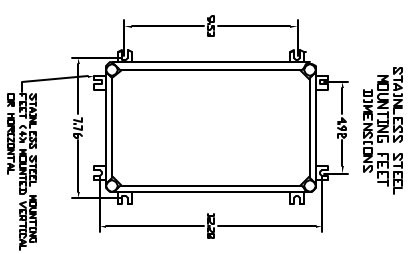
SECTION A-A



FRONT VIEW DOOR REMOVED



NONMETALLIC MOUNTING FEET DIMENSIONS



STAINLESS STEEL MOUNTING FEET DIMENSIONS

- NOTES:**
1. FINISHES: POLYMER, MADE OF ONLY POLYMER.
 2. FINISHES: POLYMER, MADE OF ONLY POLYMER.
 3. FINISHES: POLYMER, MADE OF ONLY POLYMER.
 4. FINISHES: POLYMER, MADE OF ONLY POLYMER.
 5. FINISHES: POLYMER, MADE OF ONLY POLYMER.
 6. FINISHES: POLYMER, MADE OF ONLY POLYMER.
 7. FINISHES: POLYMER, MADE OF ONLY POLYMER.
 8. FINISHES: POLYMER, MADE OF ONLY POLYMER.
 9. FINISHES: POLYMER, MADE OF ONLY POLYMER.
 10. FINISHES: POLYMER, MADE OF ONLY POLYMER.

<p>YVONCKEER INDUSTRIAL SYSTEMS S.A.S.</p>		<p>INDUSTRIAL SYSTEMS S.A.S. 11 RUE DE LA SERRAVALLE 92100 CLAMART FRANCE</p>	
<p>DESIGNER: YVONCKEER</p>	<p>DATE: 2011</p>	<p>PROJECT: APO SERIES ENCLOSURE</p>	<p>SCALE: 1:1</p>
<p>DATE: 2011</p>	<p>PROJECT: APO SERIES ENCLOSURE</p>	<p>SCALE: 1:1</p>	<p>SCALE: 1:1</p>