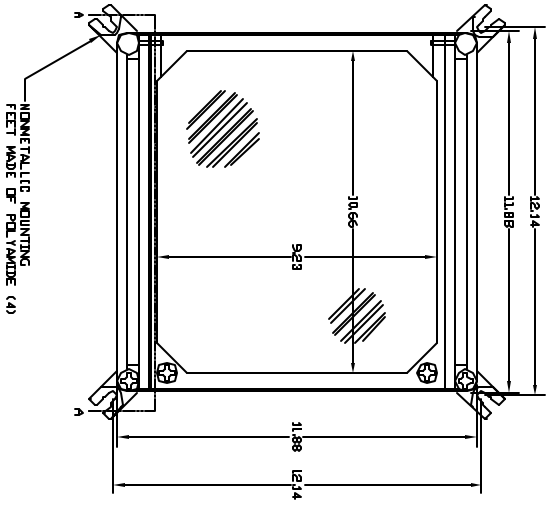
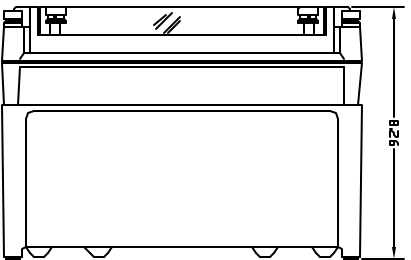


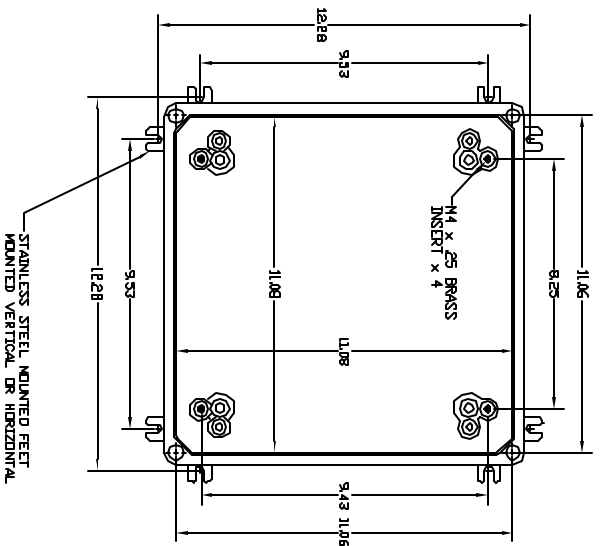
FRONT VIEW



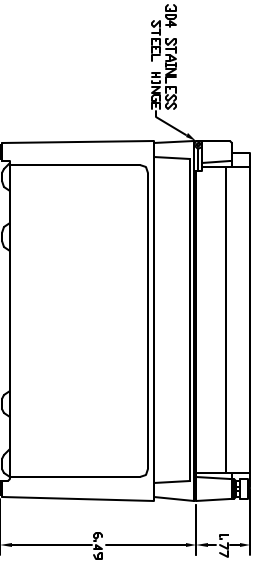
RIGHT SIDE VIEW



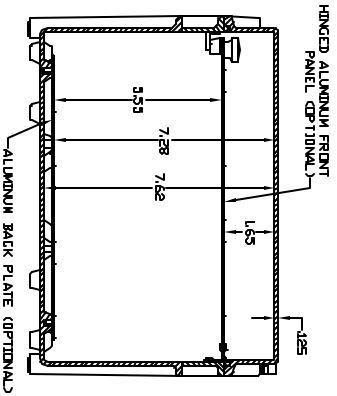
FRONT VIEW COVER REMOVED



END VIEW



SECTION A-A



- 1. FRONT DOOR MATERIAL MADE OF BERYL CBN TRIS HIT MOLDED FIBERGLASS REINFORCED POLYESTER.
- 2. UL LISTED PER STD. 508 (UL94V-0).
- 3. CSA CERTIFIED PER STD. 508 (UL94V-0).
- 4. BERYL CBN TRIS 3.0, 3R, 3S, 7, 41, 6, 12 AND 13.
- 5. BERYL CBN TRIS 3.0, 3R, 3S, 7, 41, 6, 12 AND 13.
- 6. RESISTANT TO TEMPERATURES UP TO 150 DEG C.
- 7. SELF-EXTINGUISHING AND HALOGEN FREE.
- 8. ACCESSORIES INCLUDE BACK PANELS, HORIZONTAL FRONT LATCHES, VERTICAL AND TYPICAL LATCHES.
- 9. CABINETS ARE NAVITONAL FREE AND CORROSION RESISTANT.

VTROTECH EXCLUSIVE DISTRIBUTOR, INC.		MODEL NO. 441-1212FD1H APO SERIES ENCLOSURE	
MANUFACTURER'S PART NO. 441-1212FD1H	MANUFACTURER'S PART NO. 441-1212FD1H	ORDER NO.	QUANTITY
ORDER NO.	QUANTITY	ORDER NO.	QUANTITY