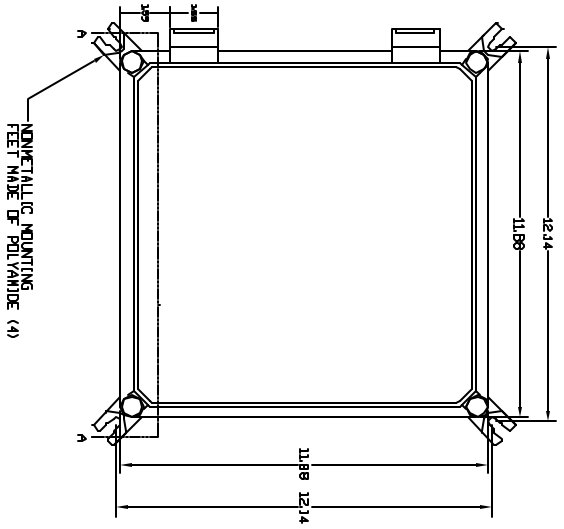
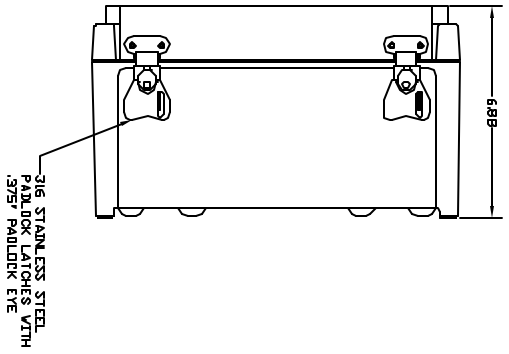


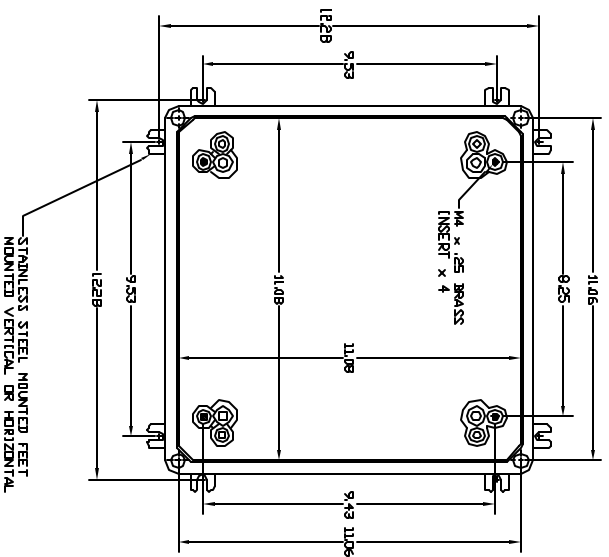
FRONT VIEW



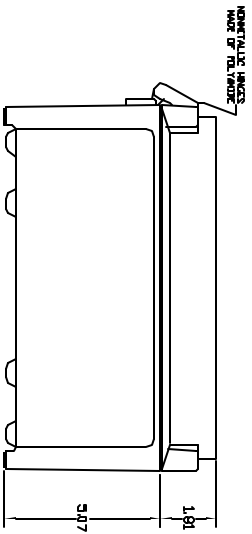
RIGHT SIDE VIEW
LATCHES SHOWN THIS VIEW ONLY



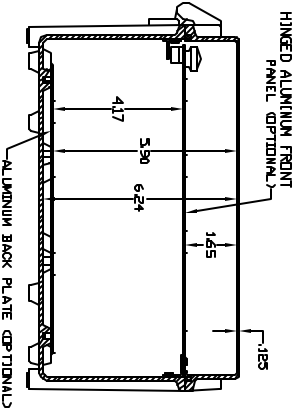
FRONT VIEW COVER REMOVED



END VIEW



SECTION A-A



- NOTES:**
- ENCLOSURE MATERIAL MADE OF GRAY (304, 7026)
 - HIT RATED FIBERGLASS REINFORCED POLYESTER
 - CSA CERTIFIED FIBERGLASS REINFORCED POLYESTER
 - NEHA RATED TYPE 3, 30, 35, 41, 4X, 5, 1E AND 1S
 - IEC 2000 RATED IP 65
 - RESISTANT TO TEMPERATURES UP TO 150 DEG C
 - RESISTANT TO OZONE AND ULTRAVIOLET RADIATION
 - ACCESSORIES INCLUDING BACK PANELS, HORIZONTAL FRONT PLATES, HINGED COVERS, PRINT PROTECT, LATCHES, WINDOWS, AND VENTILATORS.
 - CHINA'S ARE MAINTENANCE FREE AND CORROSION RESISTANT.

		V-TROUBLE ENCLOSE SYSTEMS, INC.	
VENDOR PART # AA1-1212P12		MODEL # AA1-1212P12	
PRODUCT # AA1-1212P12		SERIAL # (blank)	
DATE OF ORDER (blank)		ORDER BY (blank)	
ORDER # (blank)		QUANTITY (blank)	
ORDER TYPE (blank)		ORDER DATE (blank)	
ORDER STATUS (blank)		ORDER VALUE (blank)	
ORDER COMMENTS (blank)		ORDER TERMS (blank)	