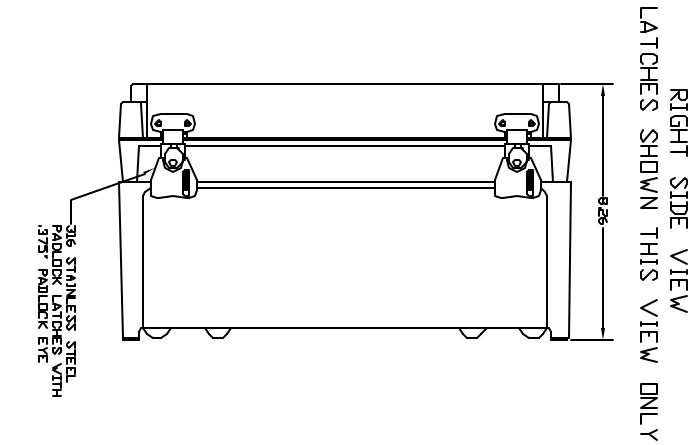
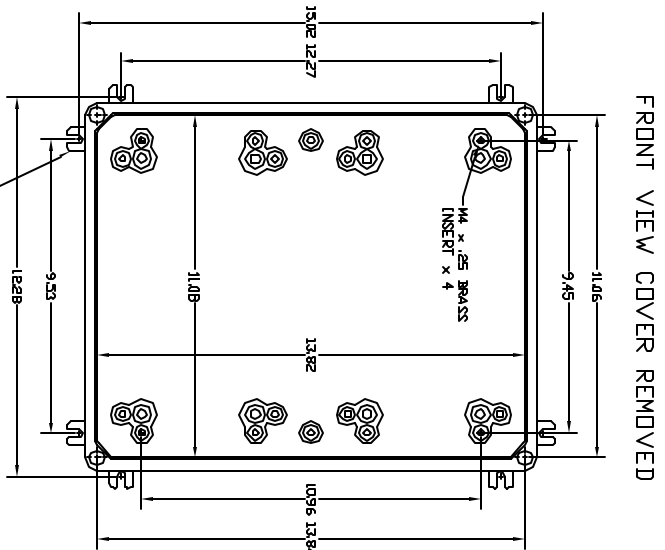


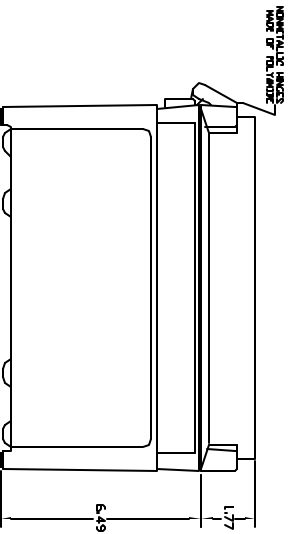
FRONT VIEW



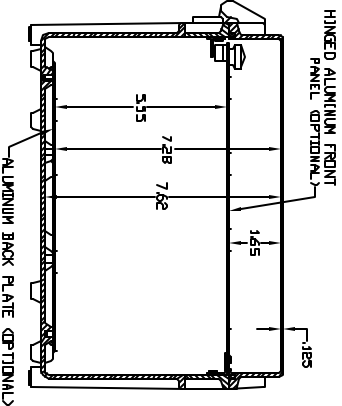
RIGHT SIDE VIEW
LATCHES SHOWN THIS VIEW ONLY



FRONT VIEW COVER REMOVED



END VIEW



SECTION A-A

- NOTES:**
1. ENCLOSURE MATERIAL MADE OF GRAY (30% ZINC) ALUMINUM.
 2. NOT INCLUDED: FIBERGLASS REINFORCED POLYESTER.
 3. COA CERTIFIED PER MIL-STD-883C METHOD 2000.14 (THERMAL SHOCK).
 4. VEMA RATED TYPE 3, 3B, 3S, 4, 4X, 5, 5E AND 5S.
 5. IEC 297 RATED IP 65.
 6. RESISTANT TO TEMPERATURES UP TO 150 DEG C.
 7. ACCESSORIES INCLUDING BACK PANEL, HINGED COVER PLATES, HINGED COVERS, FRONT POCKET, LATCHES, VINDOVS, AND VENTILATORS.
 8. CABINET'S ARE MAINTENANCE FREE AND CORROSION RESISTANT.

		V-TROUBLE ENCL. SYSTEMS, INC.	
MODEL: APO SERIES ENCLOSURE			
ORDER NO.	QUANTITY	ORDER BY	DATE
DRAWN BY	CHECK BY	REVISED BY	DATE