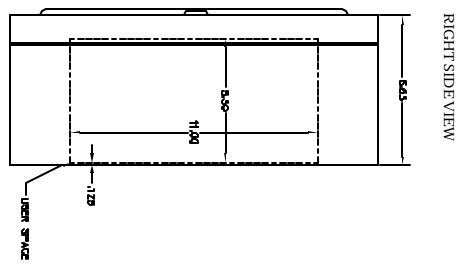
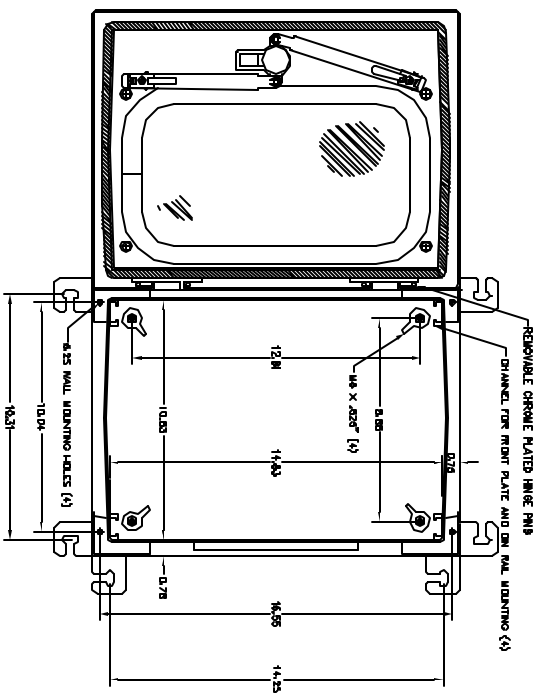


FRONT VIEW

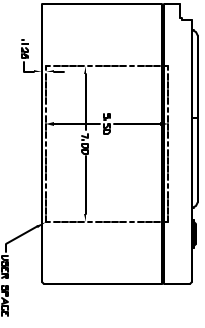


RIGHT SIDE VIEW

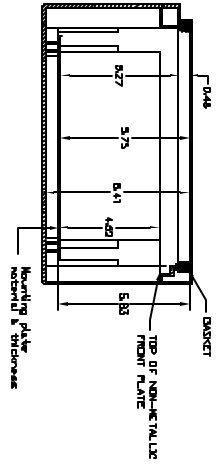


BASE
FRONT VIEW WITH COVER OPEN 180°

END VIEW



SECTION A-A



- NOTES:
1. ENCLOSURE MATERIAL MADE OF BRUCE GAL 70392 HOT MOLDED FIBERGLASS REINFORCED POLYESTER
 2. ULL LISTED PER STD. 508
 3. CSA CERTIFIED PER STD. C222 NO. 94
 4. NEMA RATED TYPE 3, 3R, 4, AXIAL AND 13.
 5. IEC SP9 RATED UP TO 66-75 DEG C.
 6. RESISTANT TO TEMPERATURES UP TO 150 DEG C.
 7. SELF EXTINGUISHING AND HALOGEN FREE.
 8. ACCESSORIES INCLUDE: BACK PANELS, HINGEABLE POLYESTER FRONT PLATES, DIN RAIL MOUNTING SYSTEM, PRINT POCKET, LOCKING HANDLES, AND VENTILATORS.
 9. CABINETS ARE MAINTENANCE FREE AND CORROSION RESISTANT.

YNGKLEER INDUSTRIAL SYSTEMS, INC. 1819 ARIA SERVICES ENCLOSURE		VENDOR PART # DRAWN BY CHECKED BY DATE	PART NUMBER REV. # DATE	QUANTITY UNIT
USE DRAWING 21.00 FOR THE LATEST REVISIONS OF THIS DRAWING ANY CHANGES TO THIS DRAWING MUST BE APPROVED BY THE DESIGN ENGINEER		DATE SERVICE ORDER QUANTITY ORDERED QUANTITY SHIPPED DATE SHIPPED	QUANTITY UNIT	QUANTITY UNIT