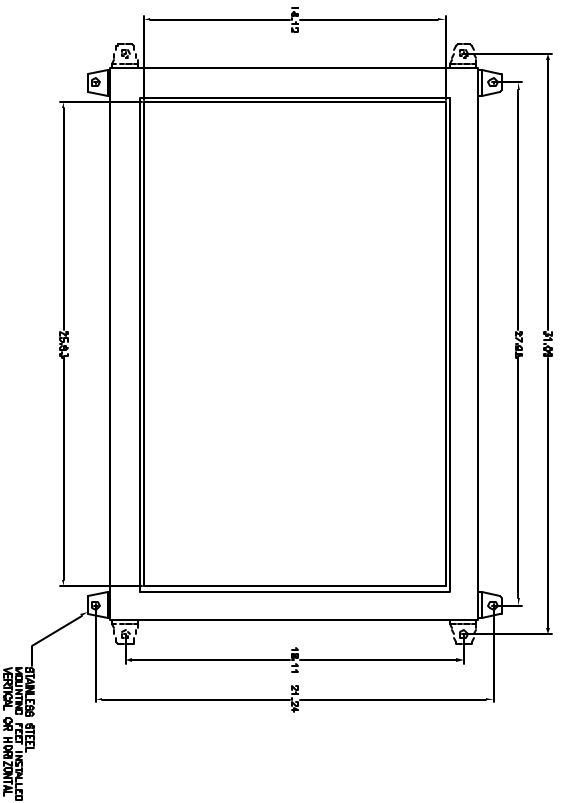
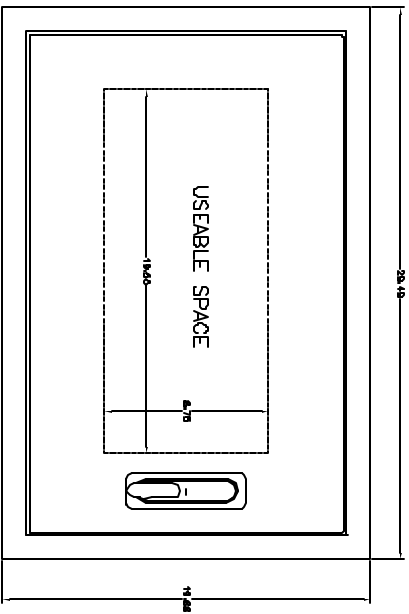


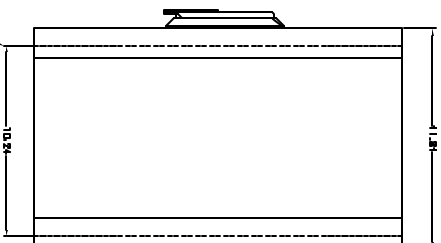
FRONT VIEW DOOR REMOVED



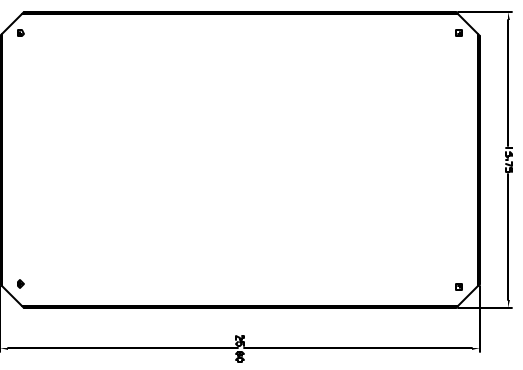
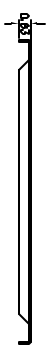
FRONT VIEW



RIGHT VIEW



BACK PLATE  
BP-32S



<b>SYNCKER</b> ENCLOSURE SYSTEMS, INC. 10000 W. 10th Ave. Denver, CO 80201 Phone: (303) 751-1111 Fax: (303) 751-1112 Website: www.syncker.com		<b>SYNCKER</b> ENCLOSURE SYSTEMS, INC. 10000 W. 10th Ave. Denver, CO 80201 Phone: (303) 751-1111 Fax: (303) 751-1112 Website: www.syncker.com	
<b>SYNCKER</b> ENCLOSURE SYSTEMS, INC. 10000 W. 10th Ave. Denver, CO 80201 Phone: (303) 751-1111 Fax: (303) 751-1112 Website: www.syncker.com	<b>SYNCKER</b> ENCLOSURE SYSTEMS, INC. 10000 W. 10th Ave. Denver, CO 80201 Phone: (303) 751-1111 Fax: (303) 751-1112 Website: www.syncker.com	<b>SYNCKER</b> ENCLOSURE SYSTEMS, INC. 10000 W. 10th Ave. Denver, CO 80201 Phone: (303) 751-1111 Fax: (303) 751-1112 Website: www.syncker.com	<b>SYNCKER</b> ENCLOSURE SYSTEMS, INC. 10000 W. 10th Ave. Denver, CO 80201 Phone: (303) 751-1111 Fax: (303) 751-1112 Website: www.syncker.com