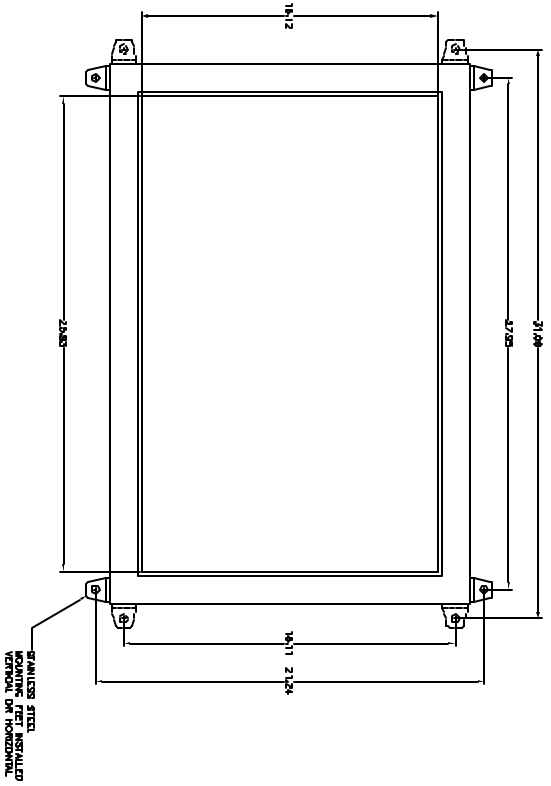
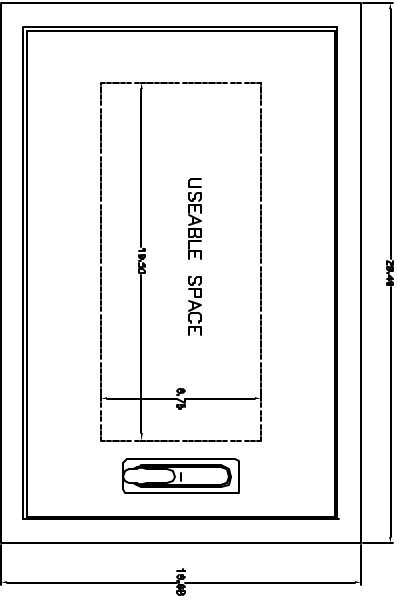


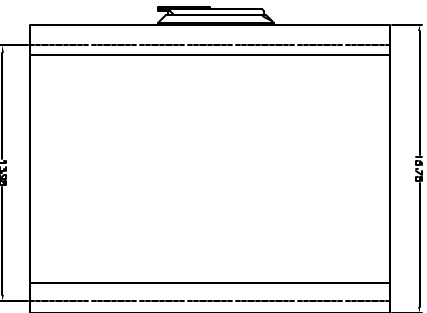
FRONT VIEW DOOR REMOVED



FRONT VIEW

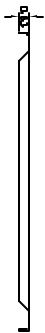


RIGHT VIEW



HANDLE CLEARANCE FROM  
BOTTOM OF ENCLOSURE

BACK PLATE  
BP325



THE DRAWING IS THE PROPERTY OF VYNCKIER ENCLCSURE SYSTEMS, INC. IT IS TO BE USED ONLY FOR THE PROJECT AND NOT TO BE REPRODUCED OR COPIED IN ANY MANNER WITHOUT THE WRITTEN PERMISSION OF VYNCKIER ENCLCSURE SYSTEMS, INC.

DATE: 08/11/2011  
DRAWN BY: J. B. BROWN  
CHECKED BY: J. B. BROWN  
SCALE: 1:1

|                                  |                         |
|----------------------------------|-------------------------|
| VYNCKIER ENCLCSURE SYSTEMS, INC. |                         |
| SUPERPOLYMER SERIES ENCLOSURE    |                         |
| DATE: 08/11/2011                 | SCALE: 1:1              |
| DRAWN BY: J. B. BROWN            | CHECKED BY: J. B. BROWN |
| APPROVED BY: J. B. BROWN         | DATE: 08/11/2011        |