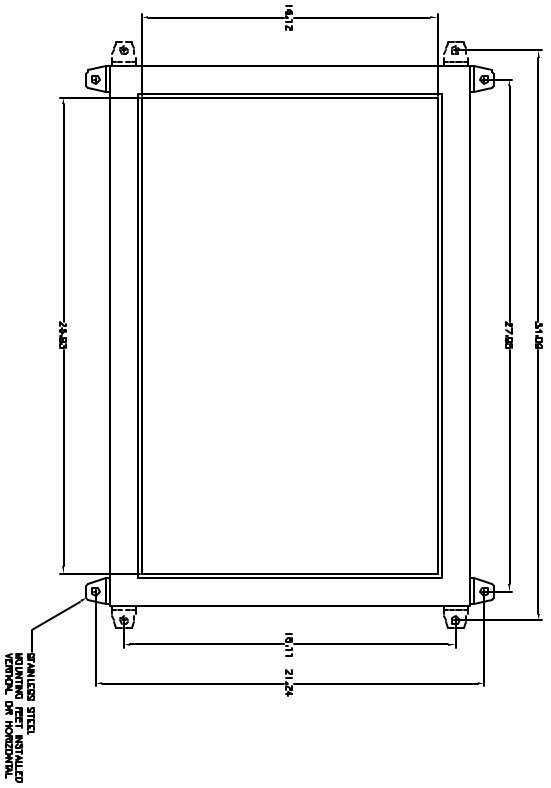
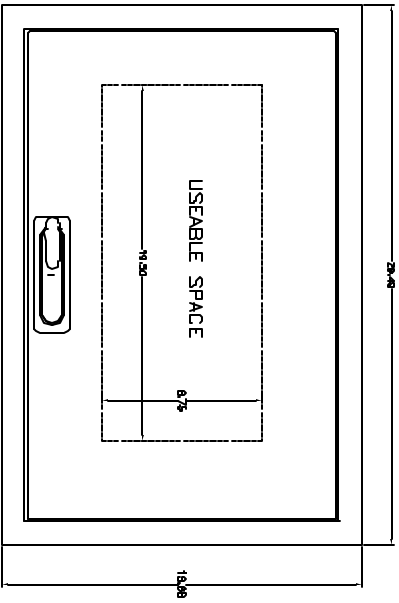


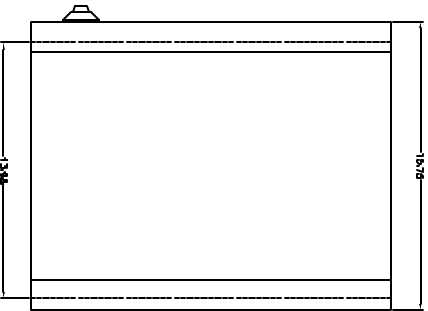
FRONT VIEW DOOR REMOVED



FRONT VIEW

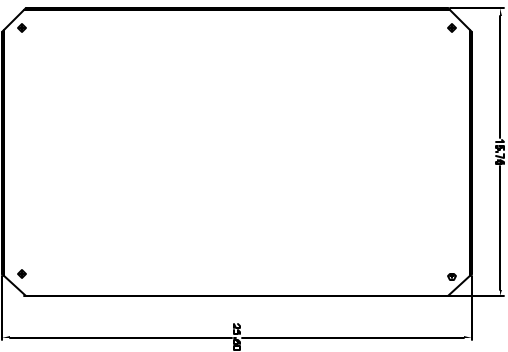
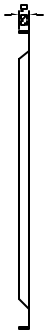


RIGHT VIEW



REMOVE DOOR FROM  
BEFORE TO OPEN PANEL

BACK PLATE  
BP32S



34. APPROX. 1.5" MIN. CLEARANCE REQUIRED FOR THE DOOR TO OPEN. SEE DRAWING FOR DETAILS.	1.5" MIN. CLEARANCE REQUIRED FOR THE DOOR TO OPEN.
---	--

<b>VYNCKIER</b> ENCLASURE SYSTEMS, INC.	
SUPERPOLYMER SERIES ENCLASURE	SUPERPOLYMER SERIES ENCLASURE
1.5" MIN. CLEARANCE REQUIRED FOR THE DOOR TO OPEN.	1.5" MIN. CLEARANCE REQUIRED FOR THE DOOR TO OPEN.