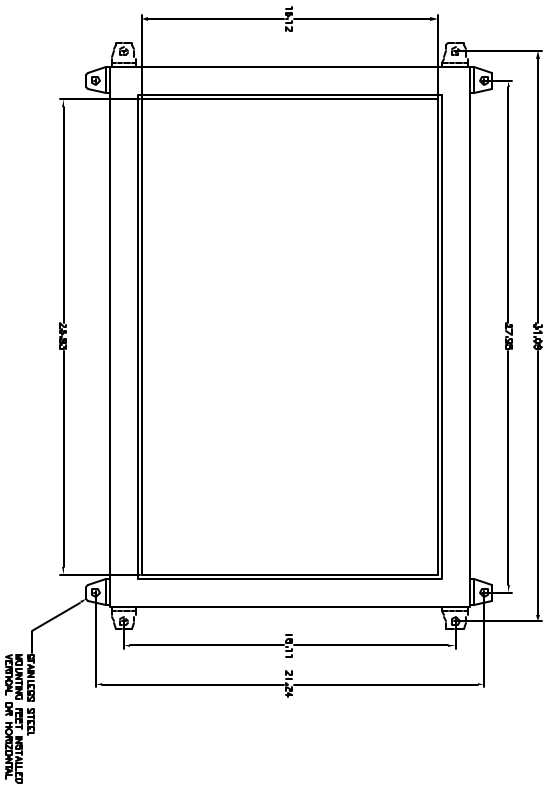
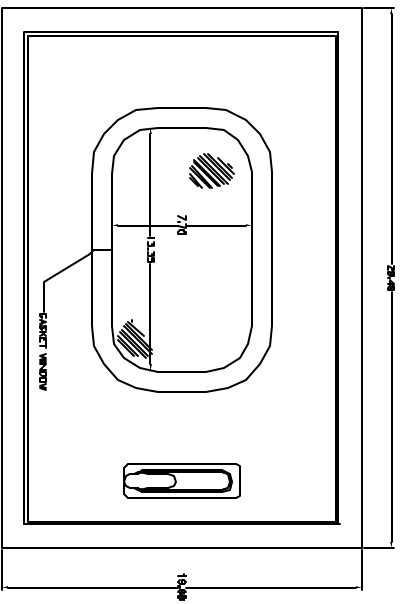


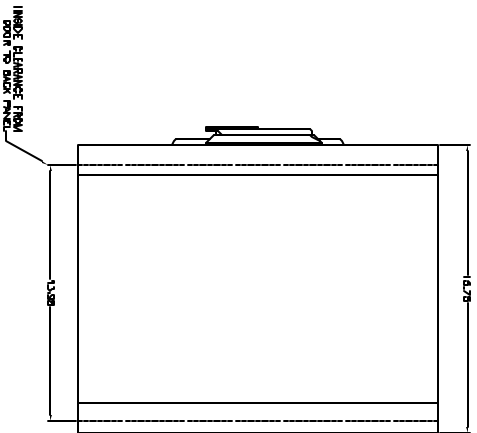
FRONT VIEW DOOR REMOVED



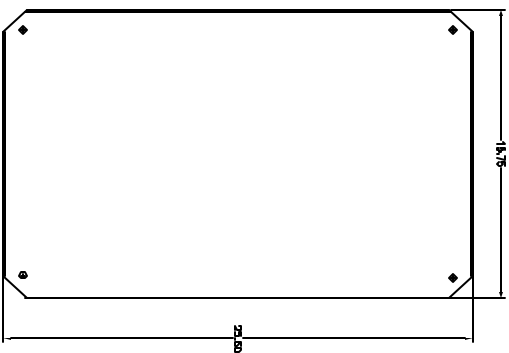
FRONT VIEW



RIGHT VIEW



BACK PLATE
BP32S



SYNCKIER ENCLASURE SYSTEMS, INC.		SPECIFICATION SUPERPOLYMER SERIES ENCLOSURE	
MODEL NO. BP32S	PART NO. BP32S	DATE 10/10/00	REV. 01
DRAWN BY J. J. JONES	CHECKED BY J. J. JONES	APPROVED BY J. J. JONES	DATE 10/10/00