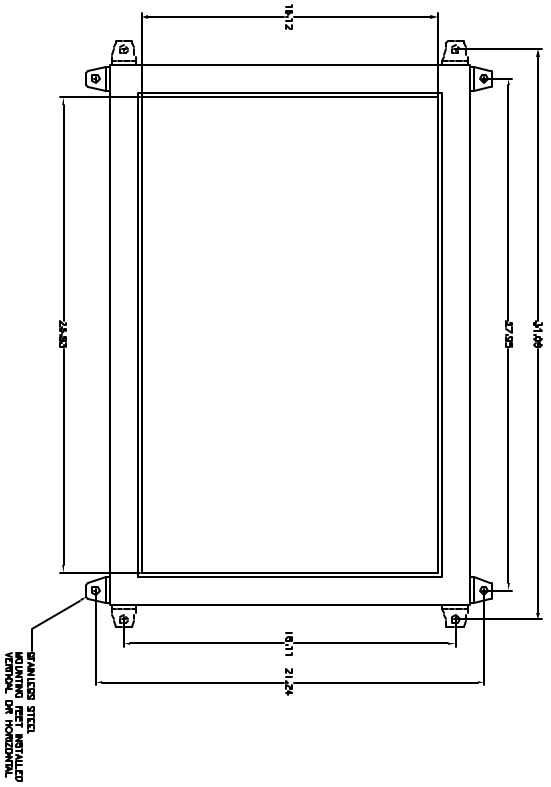
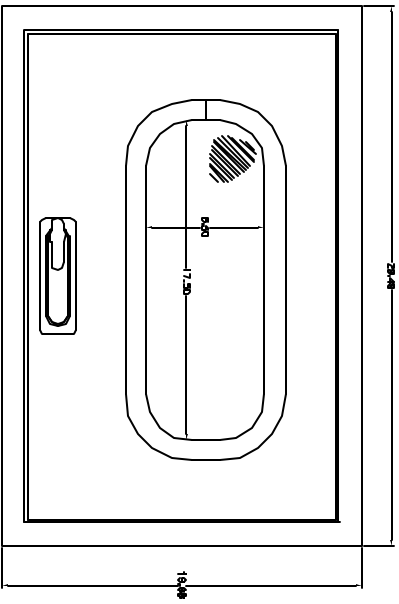


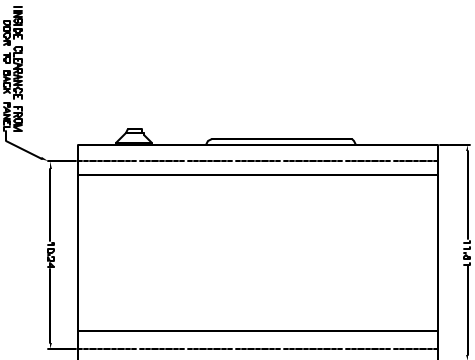
FRONT VIEW DOOR REMOVED



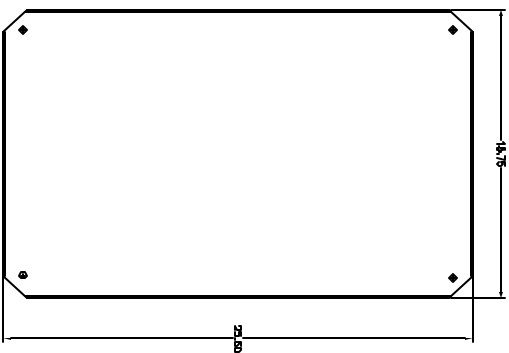
FRONT VIEW



RIGHT VIEW



BACK PLATE  
BP32S



<b>SYNCKIER</b> ENCLASURE SYSTEMS, INC.		SPEC. 3200A SUPERPOLYREX SERIES ENCLASURE	
MODEL NO. 3200A	PART NO. 3200A	REV. NO. 001	DATE 01/01/00
MANUFACTURED IN U.S.A.	DRAWN BY J. J.	CHECKED BY J. J.	APPROVED BY J. J.