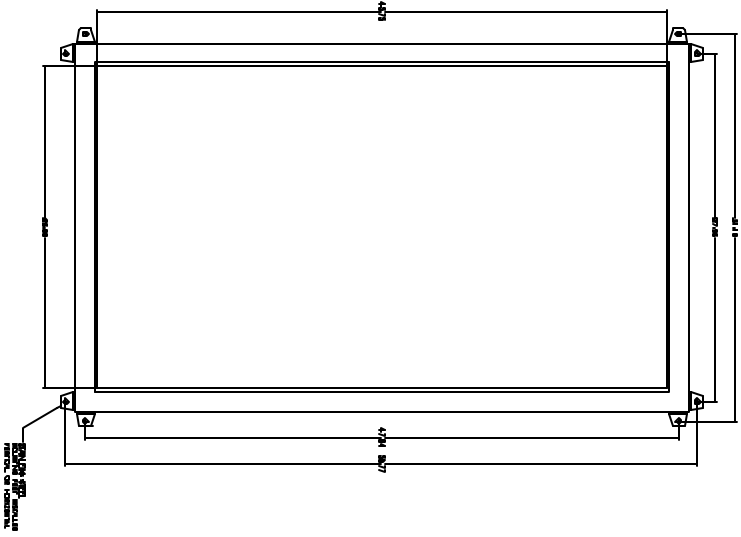
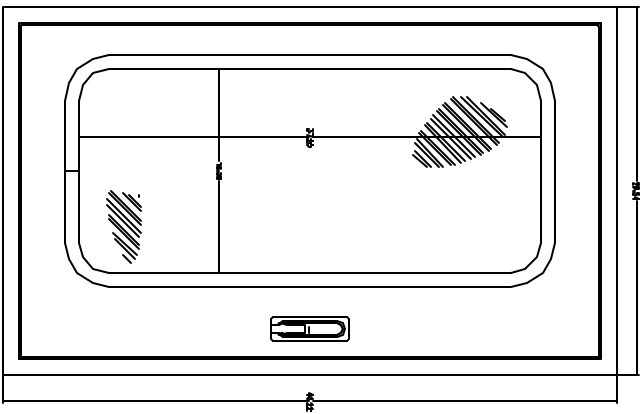


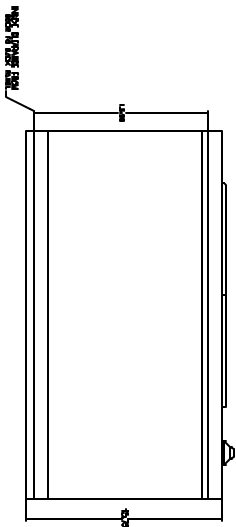
FRONT VIEW DOOR REMOVED



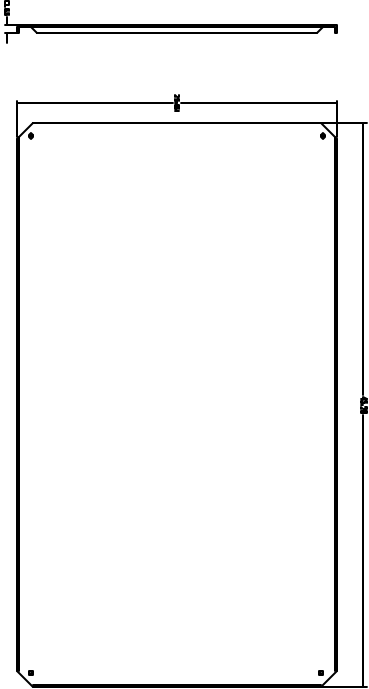
FRONT VIEW



END VIEW



BACK PLATE



SYNCKTIER ENCLISRE SYSTEMS, INC.	
SUPERPOLYMER SERIES ENCLOSURE	
MODEL NO. 1000 SERIAL NO. 1000	DATE: 10/10/10 DRAWN BY: J. SMITH
CHECKED BY: J. SMITH APPROVED BY: J. SMITH	PART NO. 1000 REV. 1.0