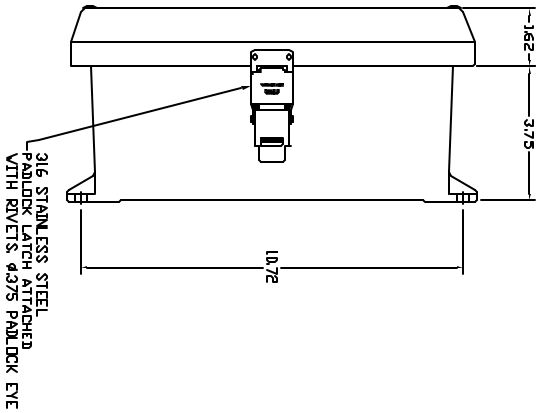
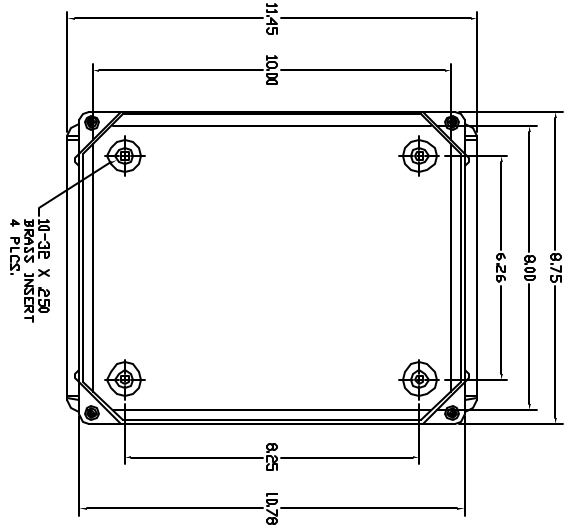


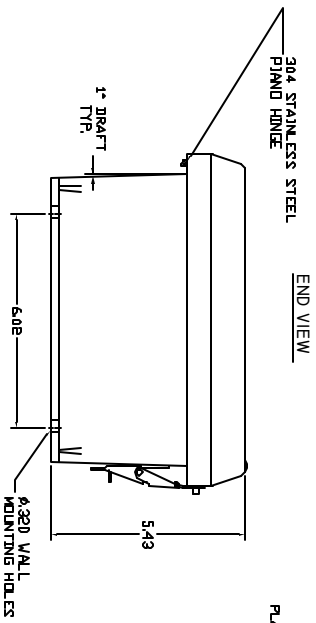
FRONT VIEW



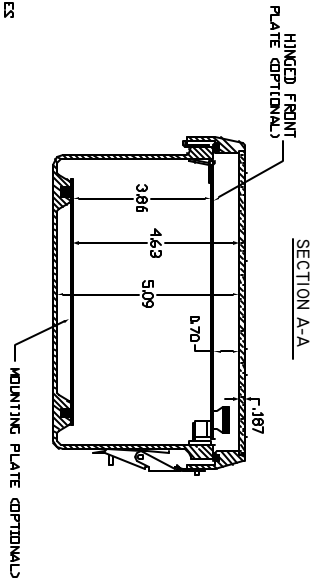
RIGHT SIDE VIEW



FRONT VIEW - COVER REMOVED



END VIEW



SECTION A-A

- NOTES
- ENCLOSURE MATERIAL MADE OF GRAY (RAL 7036) HOT MOLDED FIBERGLASS REINFORCED POLYESTER.
  - U.L. LISTED PER STD. 508. (FILE# E54315)
  - CSA CERTIFIED PER STD. C22.2 NO. 94. (FILE# LR36508)
  - NEMA RATED TYPE 3, 3R, 3S, 4, 4X, 12 AND 13.
  - IEC 529 RATED IP 68.
  - RESISTANT TO TEMPERATURES UP TO 150 DEG C.
  - SELF EXTINGUISHING AND HALOGEN FREE
  - ACCESSORIES INCLUDE: BACK PANELS, HINGEABLE FRONT PLATES, HINGED COVERS, PRINT POCKET, LATCHES, WINDOWS, AND VENTILATORS.
  - CABINETS ARE MAINTENANCE FREE AND CORROSION RESISTANT.

 VYNCKIER ENCLOSURE SYSTEMS INC.		VJ SERIES ENCLOSURE VYNCKIER PART# CVJ1008HWPL1	
DATE: 01/11/11 DRAWN BY: J. J. J. J. CHECKED BY: J. J. J. J. SCALE: 1:1	DATE: 01/11/11 DRAWN BY: J. J. J. J. CHECKED BY: J. J. J. J. SCALE: 1:1	DATE: 01/11/11 DRAWN BY: J. J. J. J. CHECKED BY: J. J. J. J. SCALE: 1:1	DATE: 01/11/11 DRAWN BY: J. J. J. J. CHECKED BY: J. J. J. J. SCALE: 1:1