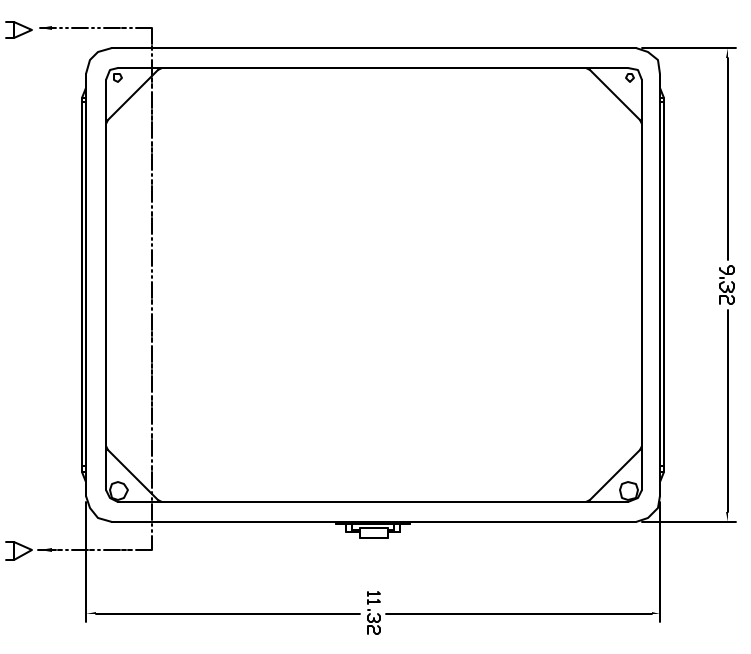
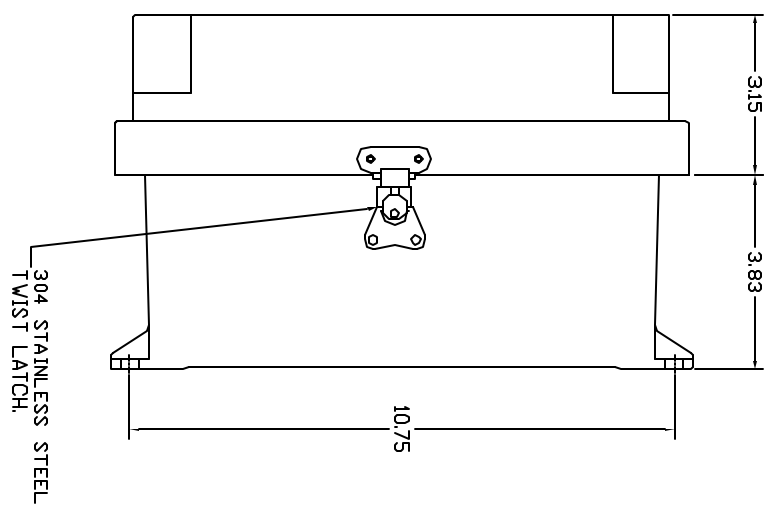


REVISIONS				
ZONE	REV	DESCRIPTION	DATE	APPROVED

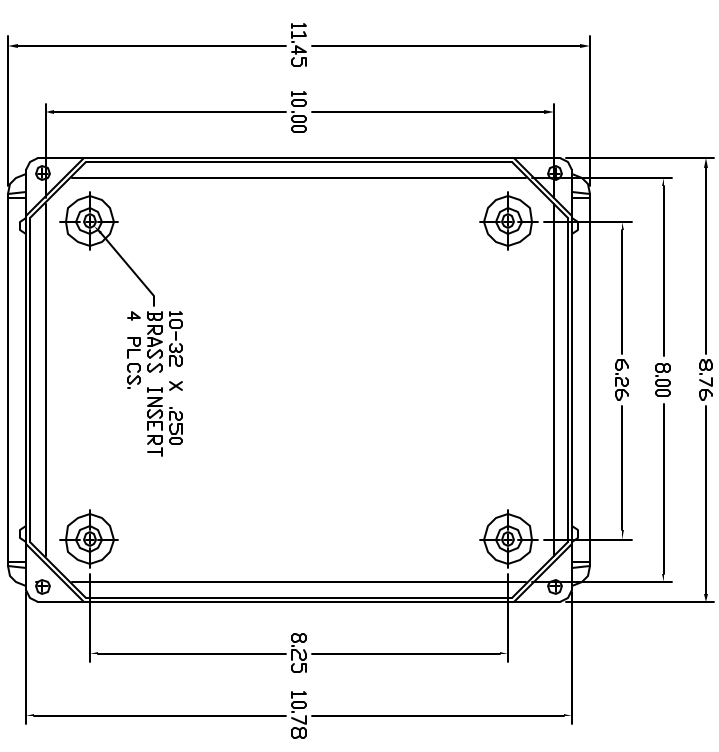
FRONT VIEW



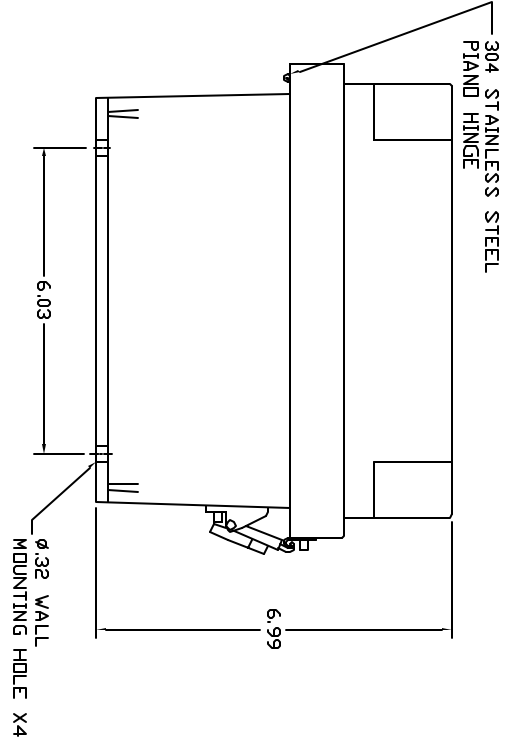
RIGHT SIDE VIEW



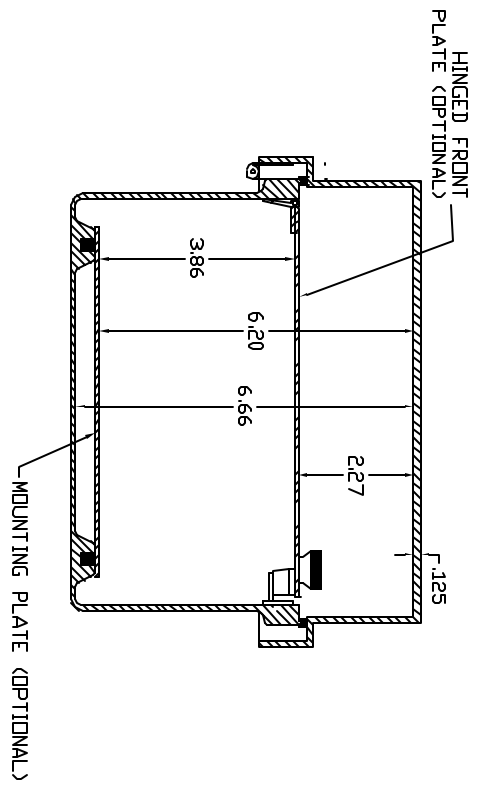
FRONT VIEW-COVER REMOVED



END VIEW



SECTION A-A



- NOTES:
1. ENCLOSURE MATERIAL MADE OF GRAY (RAL 7036) HOT MOLDED FIBERGLASS REINFORCED POLYESTER.
 2. U.L. LISTED PER STD. 508. (FILE# E54,315)
 3. CSA CERTIFIED PER STD. C22.2 NO. 94. (FILE# LR36508)
 4. NEMA RATED TYPE 3, 3R, 3S, 4, 4X, 12 AND 13.
 5. IEC 529 RATED IP 68.
 6. RESISTANT TO TEMPERATURES UP TO 150 DEG. C.
 7. SELF EXTINGUISHING AND HALOGEN FREE.
 8. ACCESSORIES INCLUDE: BACK PANELS, HINGE ABLE FRONT PLATES, HINGED COVERS, PRINT POCKET, LATCHES, WINDOWS, AND VENTILATORS.
 9. CABINETS ARE MAINTENANCE FREE AND CORROSION RESISTANT.

UNLESS OTHERWISE SPECIFIED: DIMENSIONS ARE IN INCHES TOLERANCES FRACTIONS DECIMALS XX ± .010 DO NOT SCALE DRAWING		 VYNCKLIER ENCLOSURE SYSTEMS LTDS.	
DRAWN KEITH CHAPMAN	DATE 2/14/01	SIZE D	FORM NO. RVJ1008HLL1
CHECKED		SCALE FULL	SHEET
<small>THE DRAWING IS THE PROPERTY OF VYNCKLIER ENCLOSURE SYSTEMS LTD. IT IS TO BE USED FOR THE PROJECT AND NOT TO BE REPRODUCED OR TRANSMITTED IN ANY FORM OR BY ANY MEANS, ELECTRONIC OR MECHANICAL, INCLUDING PHOTOCOPYING, RECORDING, OR BY ANY INFORMATION STORAGE AND RETRIEVAL SYSTEM.</small>		REV	