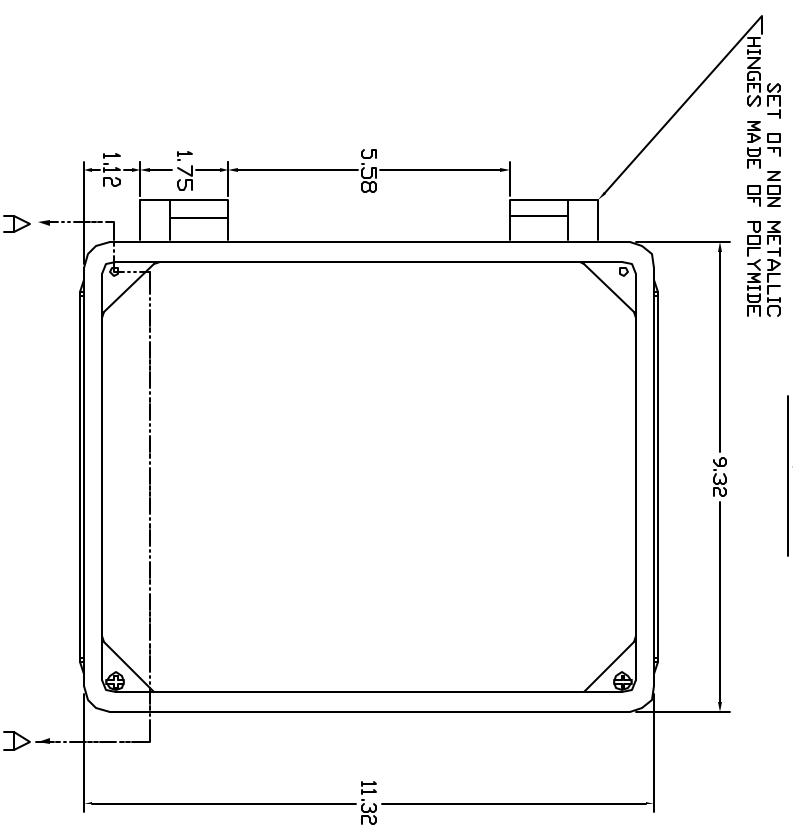
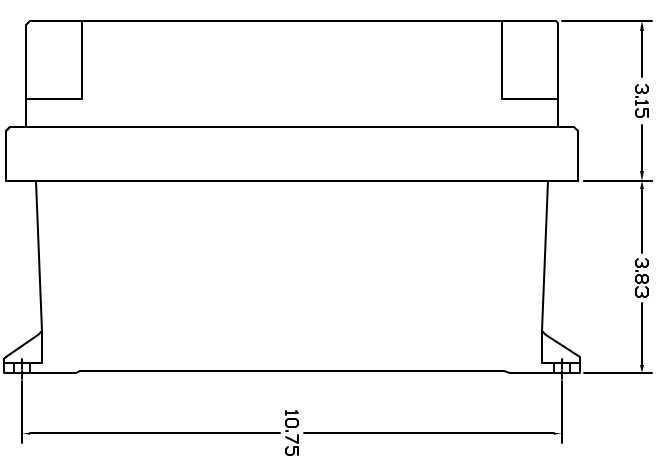


REVISIONS				
ZONE	REV	DESCRIPTION	DATE	APPROVED

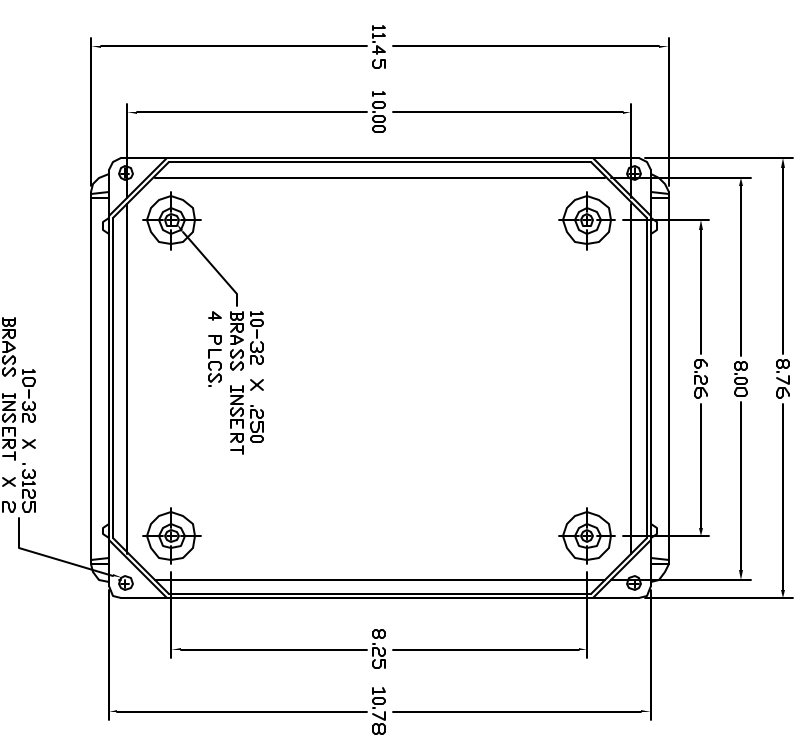
FRONT VIEW



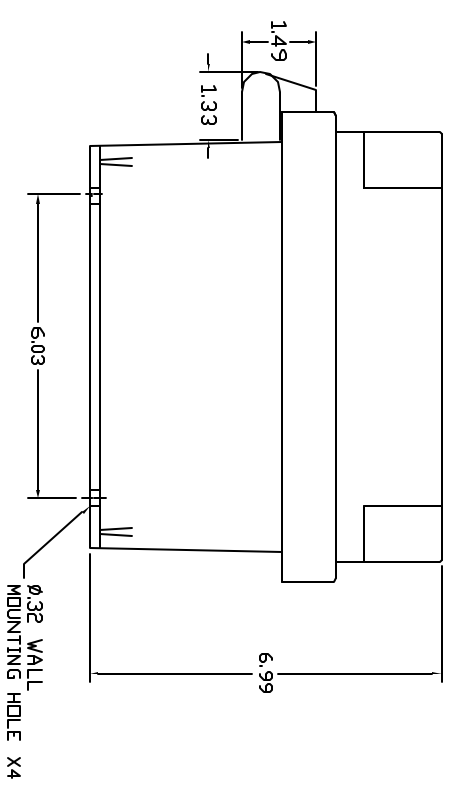
RIGHT SIDE VIEW



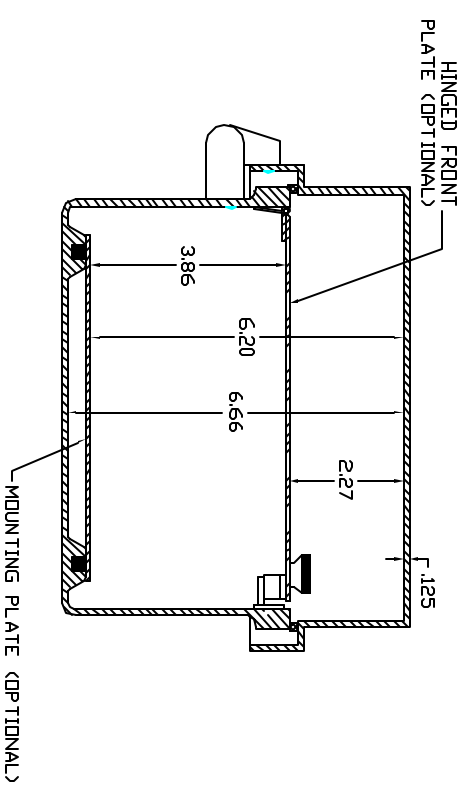
FRONT VIEW-COVER REMOVED



END VIEW



SECTION A-A



- NOTES:**
1. ENCLOSURE MATERIAL MADE OF GRAY (RAL 7036) HOT MOLDED FIBERGLASS REINFORCED POLYESTER.
 2. U.L. LISTED PER STD. 508. (FILE# E54315)
 3. CSA CERTIFIED PER STD. C22.2 NO. 94. (FILE# LR36508)
 4. NEMA RATED TYPE 3, 3R, 3S, 4, 4X, 12 AND 13.
 5. IEC 529 RATED IP 68.
 6. RESISTANT TO TEMPERATURES UP TO 150 DEG C.
 7. SELF EXTINGUISHING AND HALOGEN FREE.
 8. ACCESSORIES INCLUDE: BACK PANELS, HINGE ABLE FRONT PLATES, HINGED COVERS, PRINT POCKET, LATCHES, WINDOWS, AND VENTILATORS.
 9. CABINETS ARE MAINTENANCE FREE AND CORROSION RESISTANT.

UNLESS OTHERWISE SPECIFIED DIMENSIONS ARE IN INCHES TOLERANCES		DRAWN BY		DATE	
FRACTIONAL DECIMAL ANGLES ± .005		KEITH CHANMAN		2/14/01	
HOLE DIA ± .010		CHECKED BY		SCALE	
DO NOT SCALE DRAWING		DESIGN		FULL	
THE DRAWING IS THE PROPERTY OF VYNCKIER ENCLOSURE SYSTEMS LTD. AND IS TO BE USED ONLY FOR THE PROJECT AND SITE FOR WHICH IT WAS PREPARED. IT IS TO BE KEPT IN THE OFFICE OF THE PROJECT ENGINEER. IT IS NOT TO BE REPRODUCED OR COPIED IN ANY MANNER WITHOUT THE WRITTEN PERMISSION OF VYNCKIER ENCLOSURE SYSTEMS LTD.		VYNCKIER ENCLOSURE SYSTEMS LTD.		SHEET	
VJ SERIES ENCLOSURE		VYNCKIER PART # RVJ1008NHV		REV	
RVJ1008NHV		RVJ1008NHV		REV	