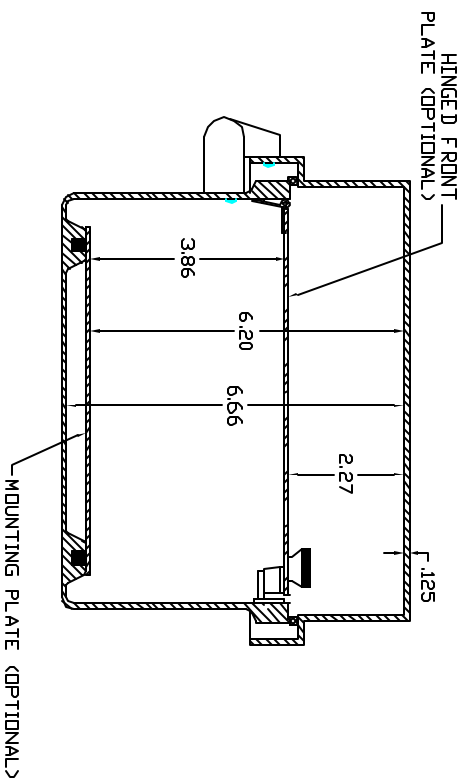
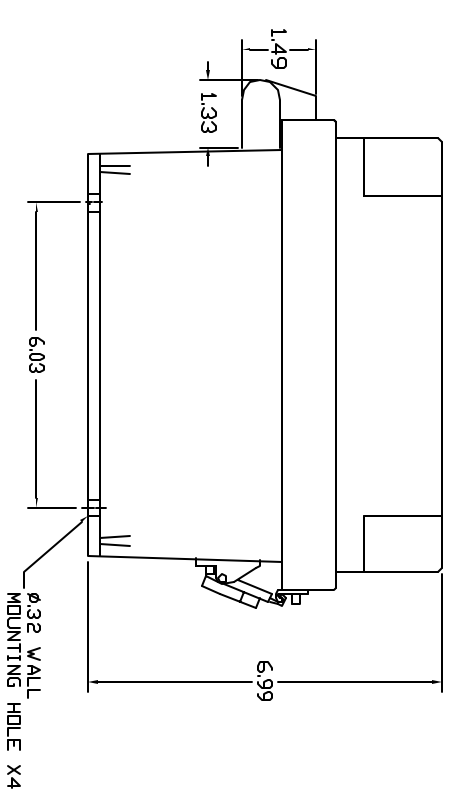
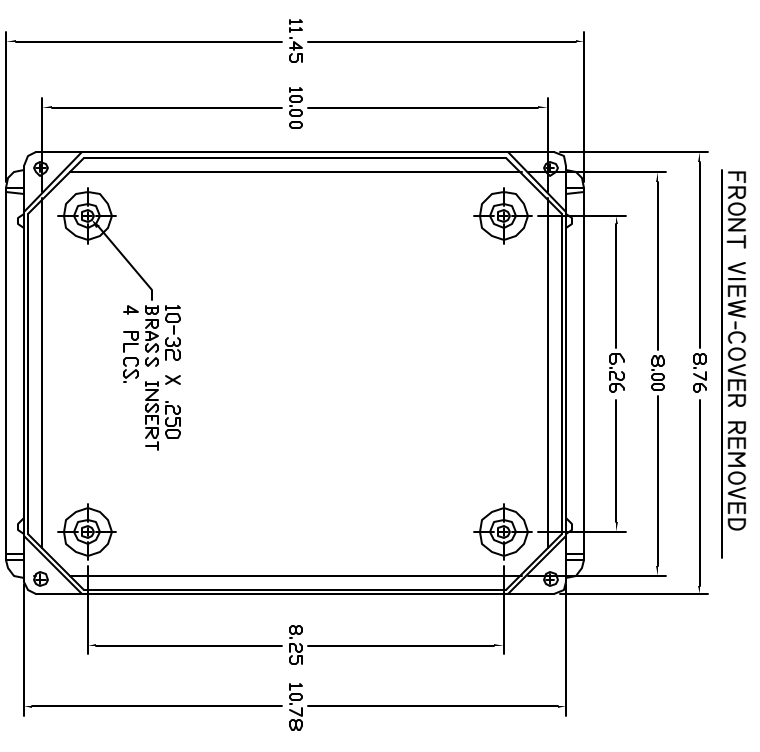
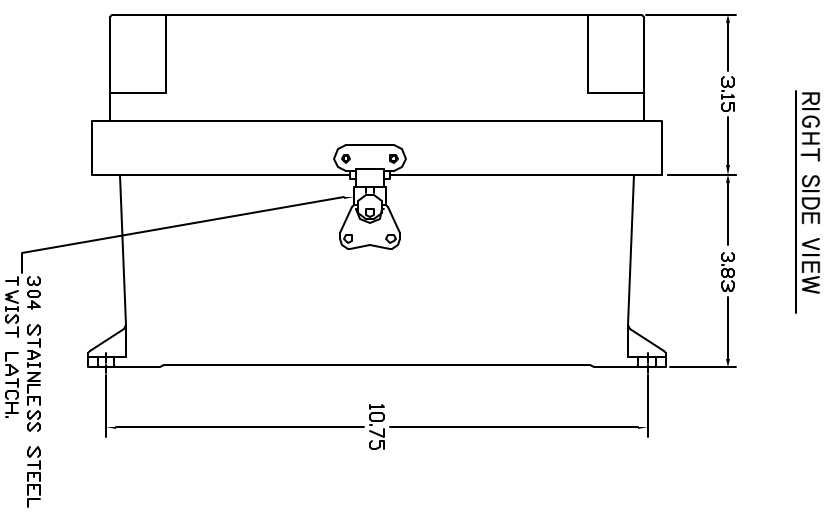
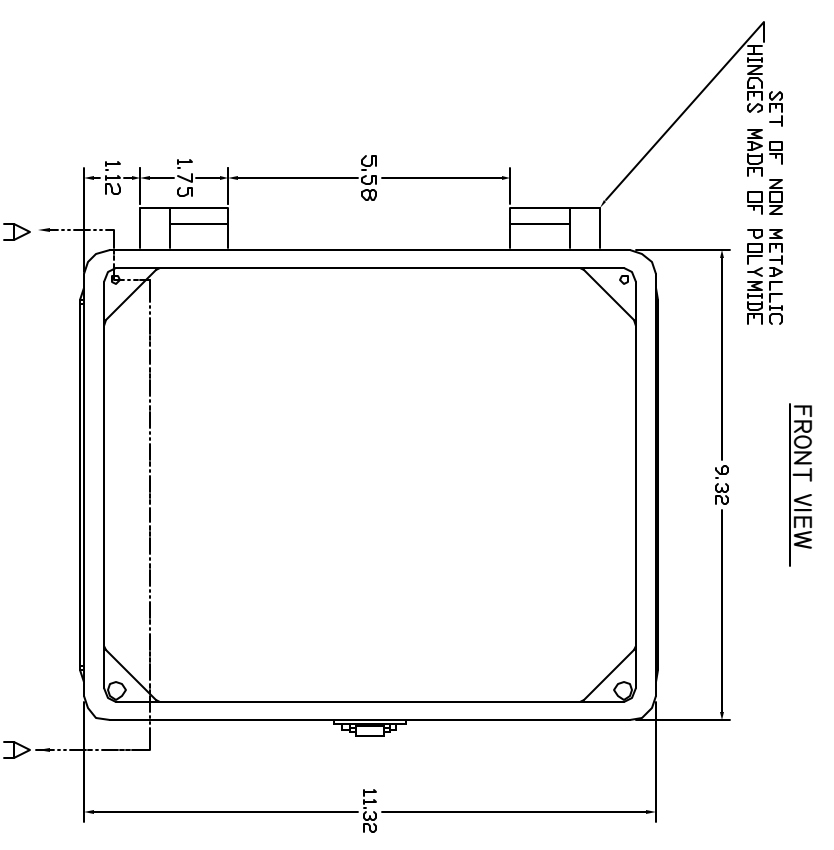


REVISIONS				
ZONE	REV	DESCRIPTION	DATE	APPROVED



- NOTES:
- ENCLOSURE MATERIAL MADE OF GRAY (RAL 7036) HOT MOLDED FIBERGLASS REINFORCED POLYESTER.
 - U.L. LISTED PER STD. 508. (FILE# ES4315)
 - CSA CERTIFIED PER STD. C22.2 NO. 94. (FILE# LR36508)
 - NEMA RATED TYPE 3, 3R, 3S, 4, 4X, 12 AND 13.
 - IEC 529 RATED IP 68.
 - RESISTANT TO TEMPERATURES UP TO 150 DEG. C.
 - SELF EXTINGUISHING AND HALOGEN FREE.
 - ACCESSORIES INCLUDE: BACK PANELS, HINGE ABLE FRONT PLATES, HINGED COVERS, PRINT POCKET, LATCHES, WINDOWS, AND VENTILATORS.
 - CABINETS ARE MAINTENANCE FREE AND CORROSION RESISTANT.

UNLESS OTHERWISE SPECIFIED DIMENSIONS ARE IN INCHES		VYNCKIER ENCLOSURE SYSTEMS LTD.S.	
FORMAL TOLERANCES	XXXX ± .015	DATE	2/11/01
XXXX ± .010	DO NOT SCALE DRAWING	DRAWN	KATHI CHAPMAN
DO NOT SCALE DRAWING		CHECKED	
NO DRAWING SCALE INDICATION, ALL DIMENSIONS ARE IN INCHES		SIZE	F8014 NO.
ENCLOSURE SYSTEMS LTD.S.		DWG. NO.	RVJ1008NHVILL1
VYNCKIER ENCLOSURE SYSTEMS LTD.S.		SCALE	FULL
VJ SERIES ENCLOSURE		REV	9-87
VYNCKIER PART # RVJ1008NHVILL1			