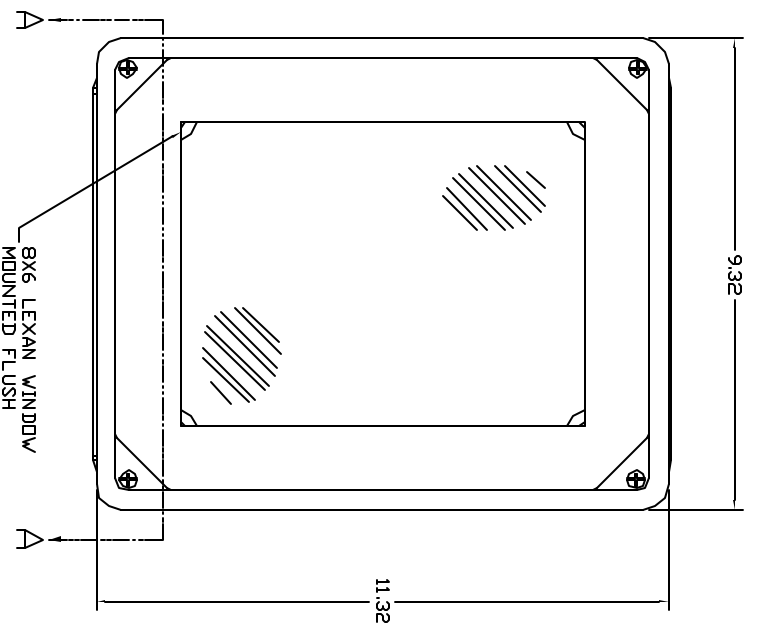
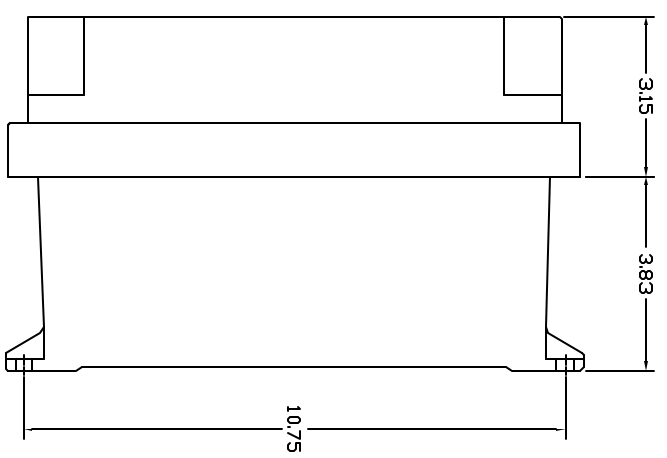


REVISIONS				
ZONE	REV	DESCRIPTION	DATE	APPROVED

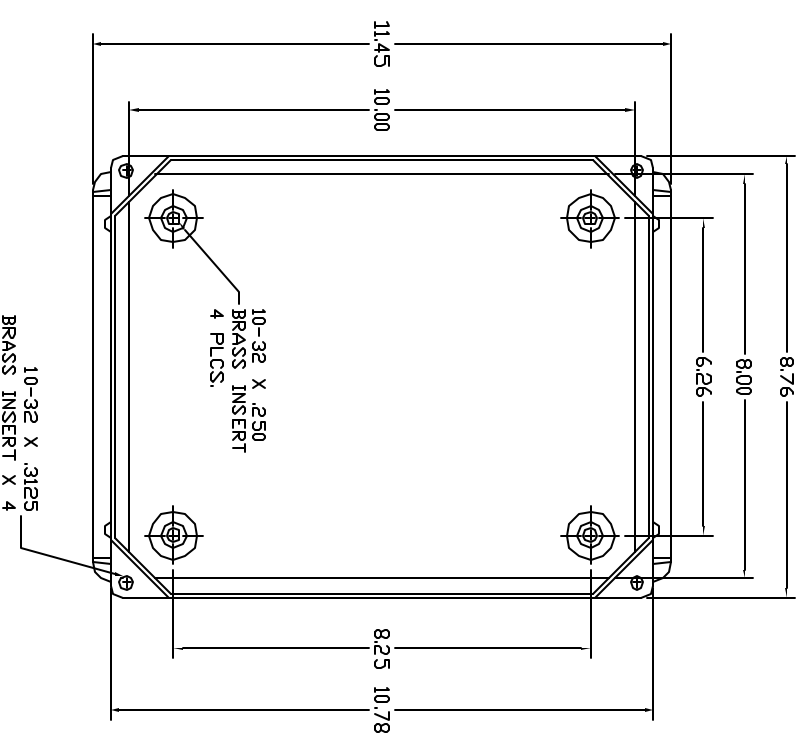
FRONT VIEW



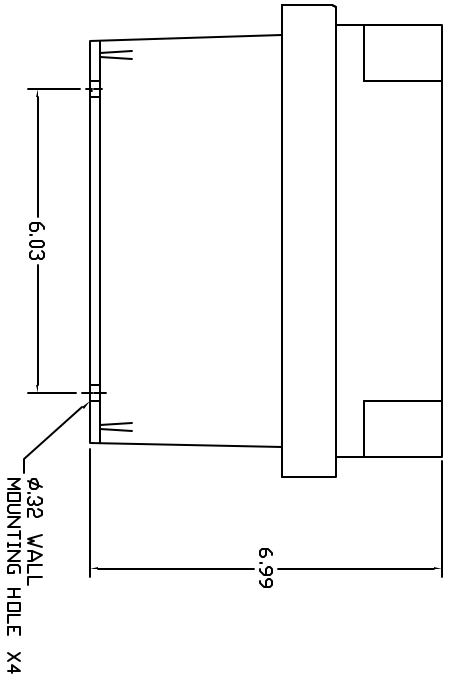
RIGHT SIDE VIEW



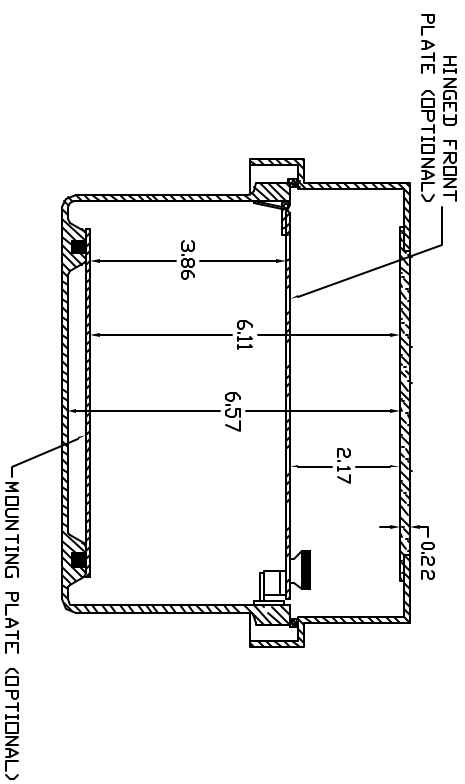
FRONT VIEW-COVER REMOVED



END VIEW



SECTION A-A



- NOTES:
- ENCLOSURE MATERIAL MADE OF GRAY (RAL 7036) HOT MOLDED FIBERGLASS REINFORCED POLYESTER.
  - U.L. LISTED PER STD. 508. (FILE# E54315)
  - CSA CERTIFIED PER STD. C22.2 NO. 94. (FILE# LR36508)
  - NEMA RATED TYPE 3, 3R, 3S, 4, 4X, 12 AND 13.
  - IEC 529 RATED IP 68.
  - RESISTANT TO TEMPERATURES UP TO 150 DEG. C.
  - SELF EXTINGUISHING AND HALOGEN FREE.
  - ACCESSORIES INCLUDE: BACK PANELS, HINGE ABLE FRONT PLATES, HINGED COVERS, PRINT POCKET, LATCHES, WINDOWS, AND VENTILATORS.
  - CABINETS ARE MAINTENANCE FREE AND CORROSION RESISTANT.

UNLESS OTHERWISE SPECIFIED DIMENSIONS ARE IN INCHES TOLERANCES XXX ±.010 DO NOT SCALE DRAWING		VYNCKIER ENCLOSURE SYSTEMS LTDS. VJ SERIES ENCLOSURE VYNCKIER PART# RVJB1008W	
DRAWN KEITH CHIRANJANI	DATE 2/14/01	SIZE F50N 1/8"	DWG NO. RVJB1008W
CHECKED		SCALE FULL	SHEET
DESIGN			REV

THE DRAWING IS THE PROPERTY OF VYNCKIER ENCLOSURE SYSTEMS LTDS. IT IS TO BE USED ONLY FOR THE PROJECT AND SHALL BE RETURNED TO VYNCKIER ENCLOSURE SYSTEMS LTDS. UPON COMPLETION OF THE PROJECT.