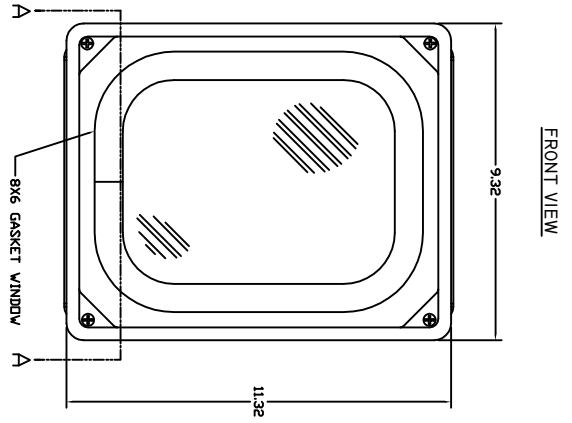
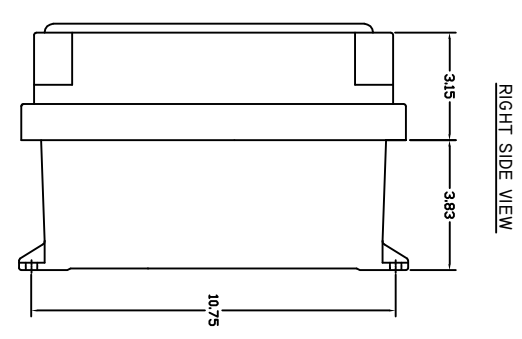


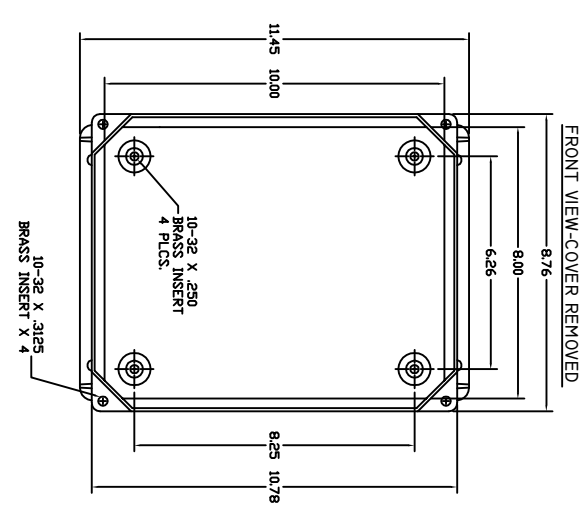
ZONE	REV	DESCRIPTION	DATE	APPROVED



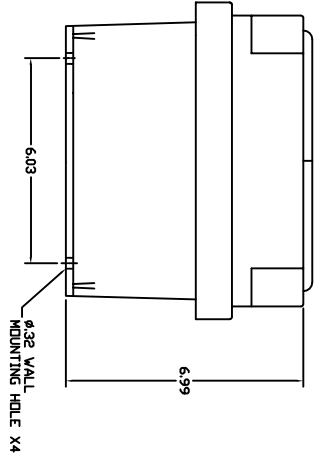
FRONT VIEW



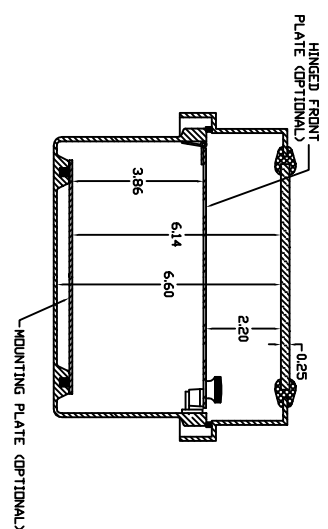
RIGHT SIDE VIEW



FRONT VIEW-COVER REMOVED



END VIEW



SECTION A-A

- NOTES:
1. ENCLOSURE MATERIAL MADE OF GRAY (RAL 7036) HOT MODED FIBERGLASS REINFORCED POLYESTER.
  2. HOT MODED FIBERGLASS REINFORCED POLYESTER LISTED PER STD 508 (FILE# E4318)
  3. CS. LISTED PER STD 508 (FILE# E4318)
  4. NEMA RATED PER STD 522.2 NO. 94, FILE# LR36508)
  5. NEMA RATED PER 3, 3R, 3S, 4, 4X, 12 AND 13.
  6. IEC RATED IP 65.
  7. RESISTANT TO TEMPERATURES UP TO 150 DEG C.
  8. SELF LANCUSHING AND HALOGEN FREE.
  9. ACCESSORIES INCLUDES BACK PANELS, HINGE FRONT PLATES, HINGED COVERS, FRONT PANELS, LATCHES, WINDOWS, AND VENTILATORS.
  9. CABINETS ARE MAINTENANCE FREE AND CORROSION RESISTANT.

UNISEC ENGINEERING SERVICES 1000 W. 10TH AVENUE, SUITE 100 DENVER, CO 80202 TEL: 303.733.8888 FAX: 303.733.8889		VYNGKIER SYSTEMS LTDS. ENCLOSURE SYSTEMS VJ SERIES ENCLOSURE VYNGKIER PART # RVJG1008W	
DRAWN: KEVIN CHAVANA CHECKED: [ ] DATE: 2/16/01 SCALE: FULL	DESIGNED: [ ] DATE: [ ] SCALE: [ ]	DWG NO.: RVJG1008W REV: 1	SHEET: 1 OF 1