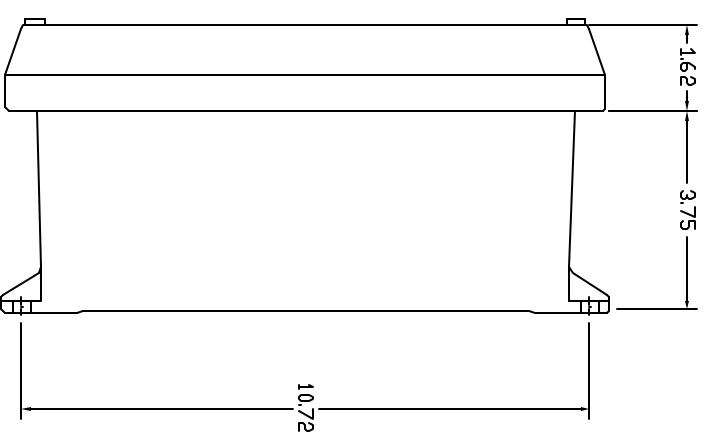
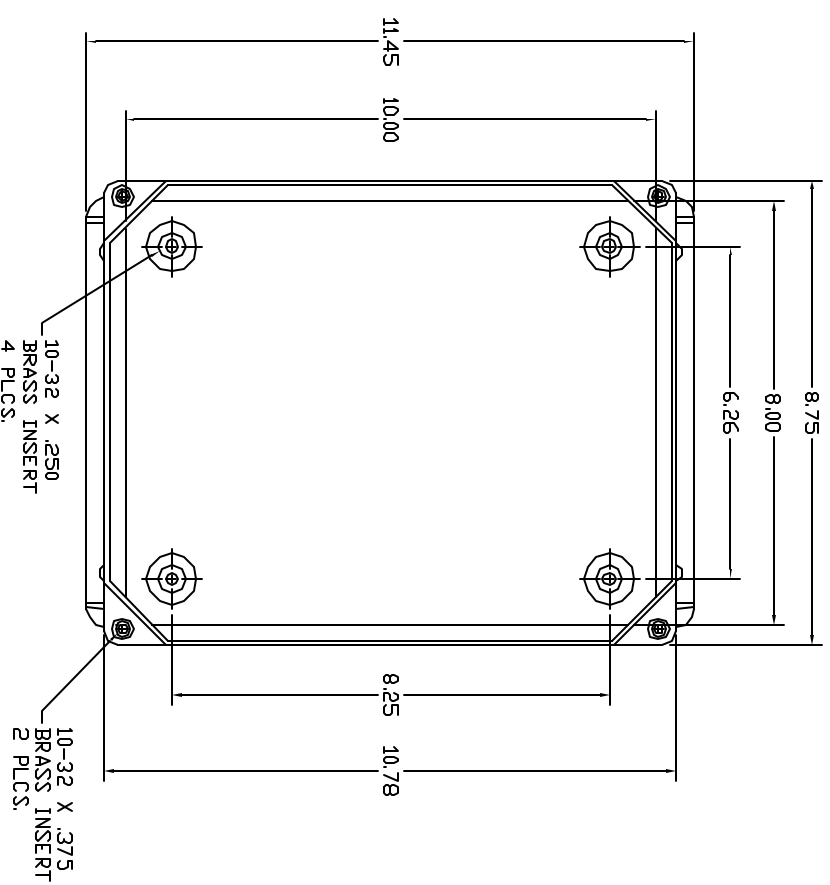


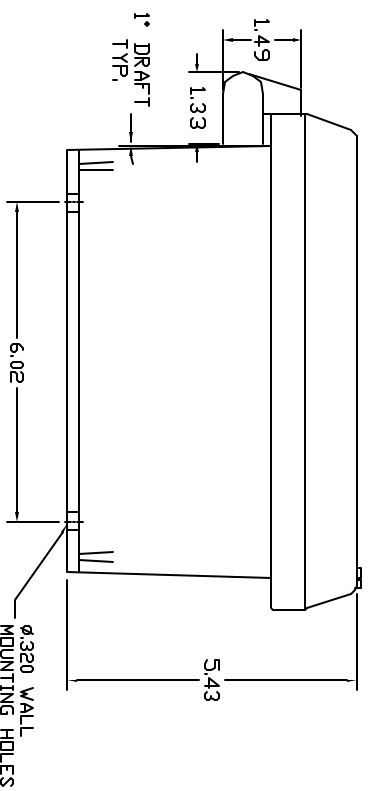
FRONT VIEW



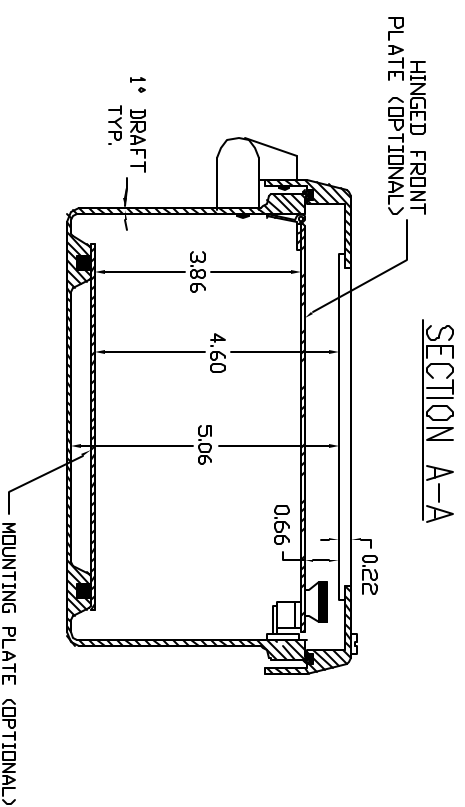
RIGHT SIDE VIEW



FRONT VIEW - COVER REMOVED



END VIEW



SECTION A-A

- NOTES:
1. ENCLOSURE MATERIAL MADE OF GRAY (RAL 7036) HOT MOLDED FIBERGLASS REINFORCED POLYESTER.
 2. U.L. LISTED PER STD. 508. (FILE# E54315)
 3. CSA CERTIFIED PER STD. C22.2 NO. 94. (FILE# LR36508)
 4. NEMA RATED TYPE 3, 3R, 3S, 4, 4X, 12 AND 13.
 5. IEC 529 RATED IP 68.
 6. RESISTANT TO TEMPERATURES UP TO 150 DEG C.
 7. SELF EXTINGUISHING AND HALOGEN FREE.
 8. ACCESSORIES INCLUDE: BACK PANELS, HINGEABLE FRONT PLATES, HINGED COVERS, PRINT POCKET, LATCHES, WINDOWS, AND VENTILATORS.
 9. CABINETS ARE MAINTENANCE FREE AND CORROSION RESISTANT.

UNIVERS. DIMENSIONS SPECIFIED DIMENSIONS ARE IN INCHES TOLERANCES XXX ± .010 DO NOT SCALE DRAWING		DATE 2/12/01		WYCKLER ENCLOSURE SYSTEMS INC.	
DRAWN KEITH CHURNAN		VJ SERIES ENCLOSURE WYCKLER PART# VJ1008NHV		SIZE FORM NO.	
CHECKED		DWG NO.		REV 0	
DESIGN		SCALE FULL		SHEET	