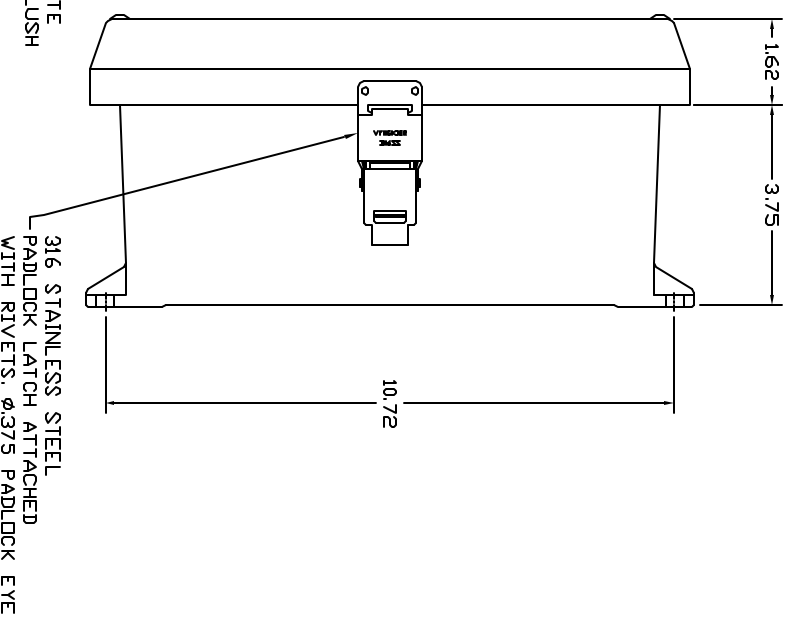
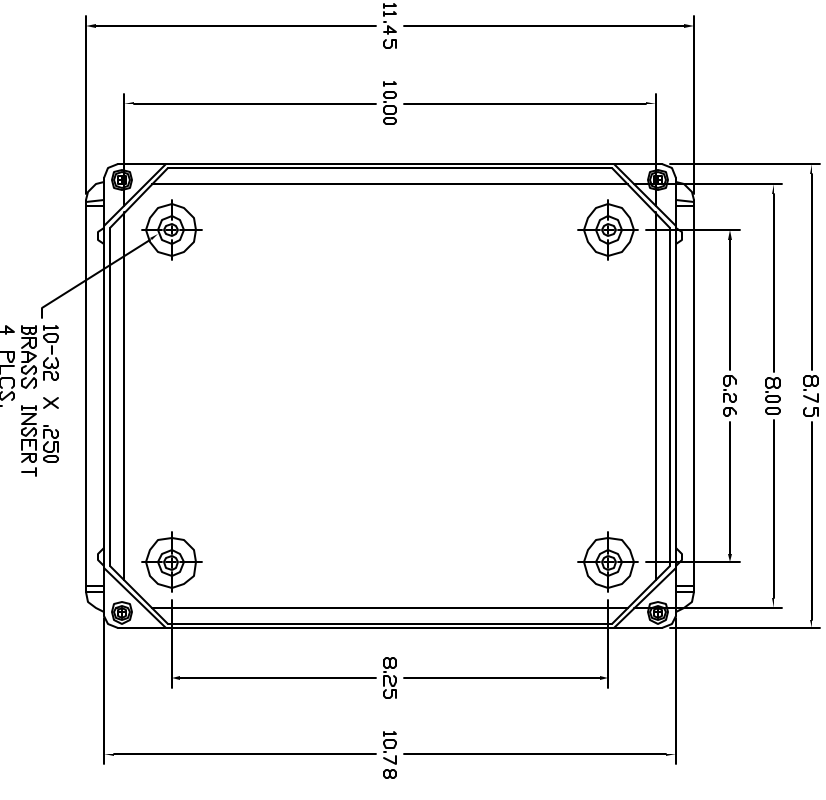


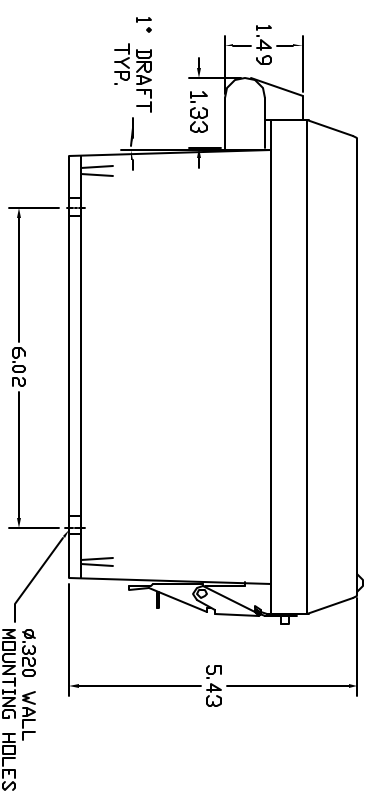
FRONT VIEW



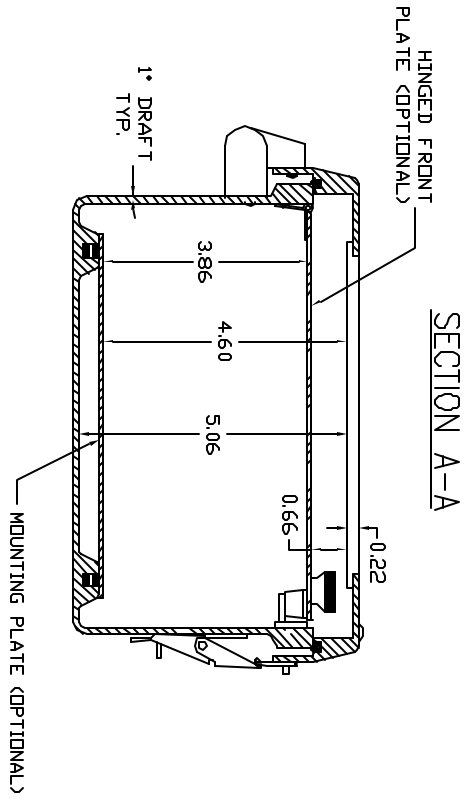
RIGHT SIDE VIEW



FRONT VIEW - COVER REMOVED



END VIEW



SECTION A-A

- NOTES:
1. ENCLOSURE MATERIAL MADE OF GRAY (RAL 7036) HOT MOLDED FIBERGLASS REINFORCED POLYESTER.
  2. U.L. LISTED PER STD. 508 (FILE# E54315)
  3. CSA CERTIFIED PER STD. C22.2 NO. 94. (FILE# LR36508)
  4. NEMA RATED TYPE 3, 3R, 3S, 4, 4X, 12 AND 13.
  5. IEC 529 RATED IP 68.
  6. RESISTANT TO TEMPERATURES UP TO 150 DEG C.
  7. SELF EXTINGUISHING AND HALOGEN FREE.
  8. ACCESSORIES INCLUDE: BACK PANELS, HINGEABLE FRONT PLATES, HINGED COVERS, PRINT POCKET, LATCHES, WINDOWS, AND VENTILATORS.
  9. CABINETS ARE MAINTENANCE FREE AND CORROSION RESISTANT.

UNLESS OTHERWISE SPECIFIED: DIMENSIONS ARE IN INCHES DECIMALS .XXX ± .010 .XXX ± .010 .XX ± .005 .XX ± .005 .X ± .002 .X ± .002 DO NOT SCALE DRAWING		<b>WYNCKLER</b> ENCLOSURE SYSTEMS INC.	
DRAWN KEITH CHAMMAN	DATE 2/15/01	V1 SERIES ENCLOSURE WYNCKLER PART # V1B1008NHWP11	DWG. NO. V1B1008NHWP11
CHECKED DESIGN	SCALE FULL	REV 0	SHEET 9487