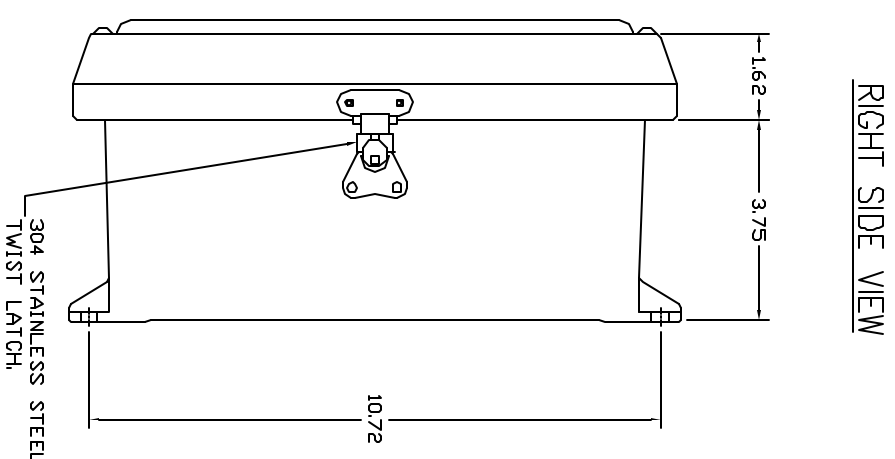
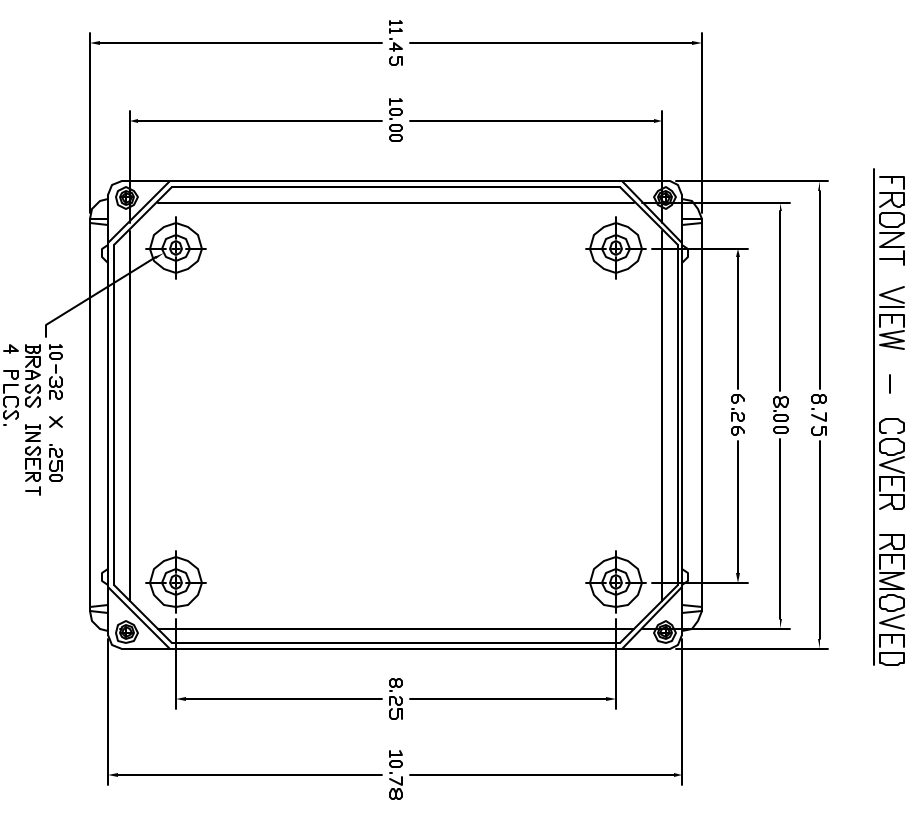


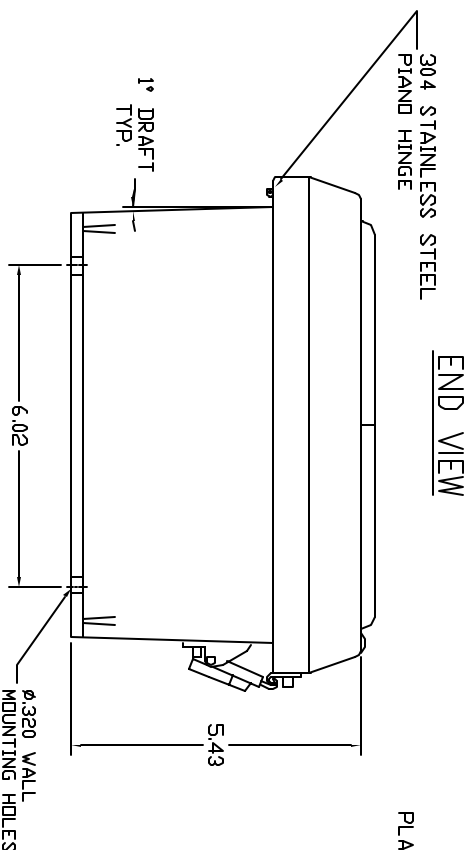
FRONT VIEW



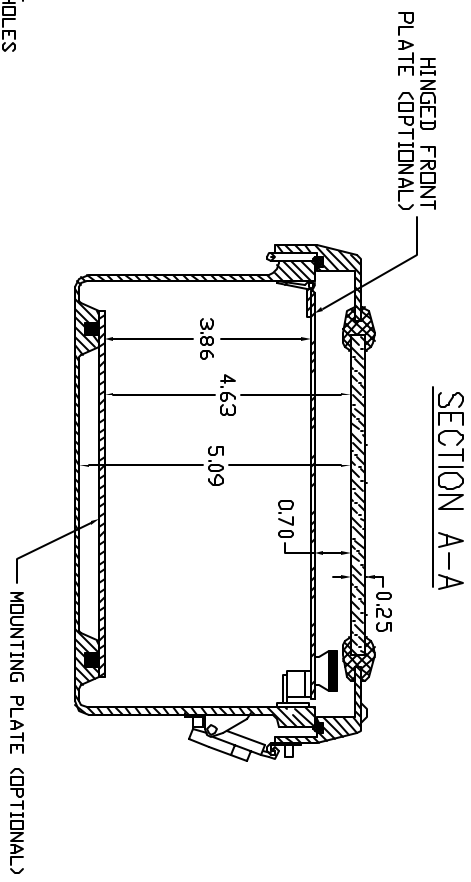
RIGHT SIDE VIEW



FRONT VIEW - COVER REMOVED



END VIEW



SECTION A-A

- NOTES:
1. ENCLOSURE MATERIAL MADE OF GRAY (RAL 7036) HOT MOLDED FIBERGLASS REINFORCED POLYESTER.
 2. U.L. LISTED PER STD. 508. (FILE# E54315)
 3. CSA CERTIFIED PER STD. C22.2 NO. 94. (FILE# LR36508)
 4. NEMA RATED TYPE 3, 3R, 3S, 4, 4X, 12 AND 13.
 5. IEC 529 RATED IP 68.
 6. RESISTANT TO TEMPERATURES UP TO 150 DEG C.
 7. SELF EXTINGUISHING AND HALOGEN FREE.
 8. ACCESSORIES INCLUDE: BACK PANELS, HINGEABLE FRONT PLATES, HINGED COVERS, PRINT POCKET, LATCHES, WINDOWS, AND VENTILATORS.
 9. CABINETS ARE MAINTENANCE FREE AND CORROSION RESISTANT.

UNLESS OTHERWISE SPECIFIED DIMENSIONS ARE IN INCHES DECIMALS UNLESS OTHERWISE SPECIFIED XXX ± .010 XXXX ± .006 DO NOT SCALE DRAWING		DRAWN KENTH CHAPMAN		DATE 2/12/01	
CHECKED DESIGN		VINCOR UTHERIDGE SPECIFIER DIMENSIONS ARE IN INCHES DECIMALS UNLESS OTHERWISE SPECIFIED XXX ± .010 XXXX ± .006 DO NOT SCALE DRAWING		VINCOR UTHERIDGE SPECIFIER DIMENSIONS ARE IN INCHES DECIMALS UNLESS OTHERWISE SPECIFIED XXX ± .010 XXXX ± .006 DO NOT SCALE DRAWING	
SHEET FULL		VJ SERIES ENCLOSURE VINCOR PART# VJG1008HWLL1		DWD NO. VJG1008HWLL1	
SHEET		REV 0		SHEET	