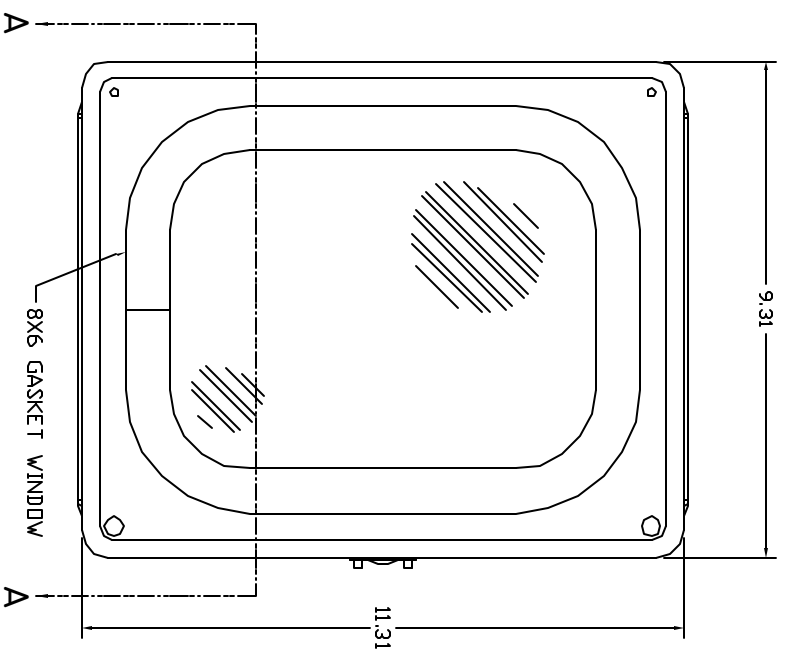
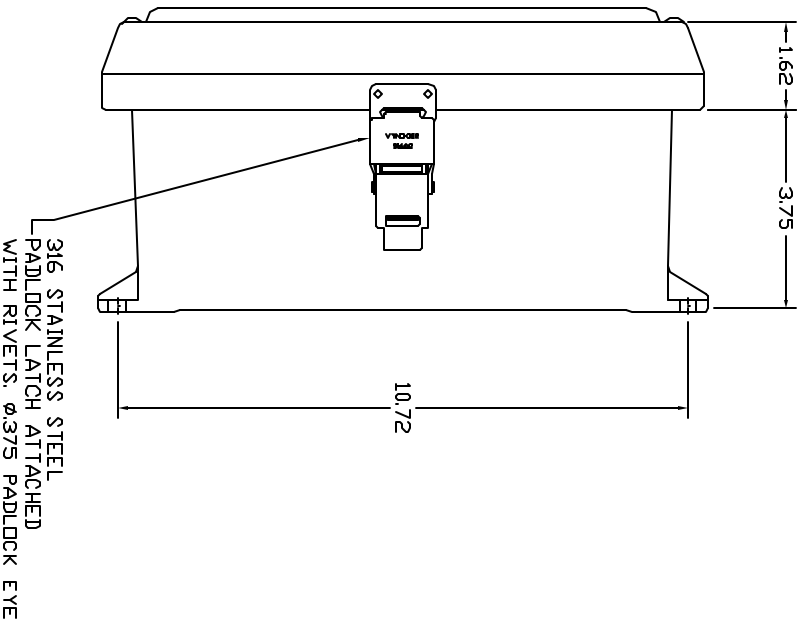


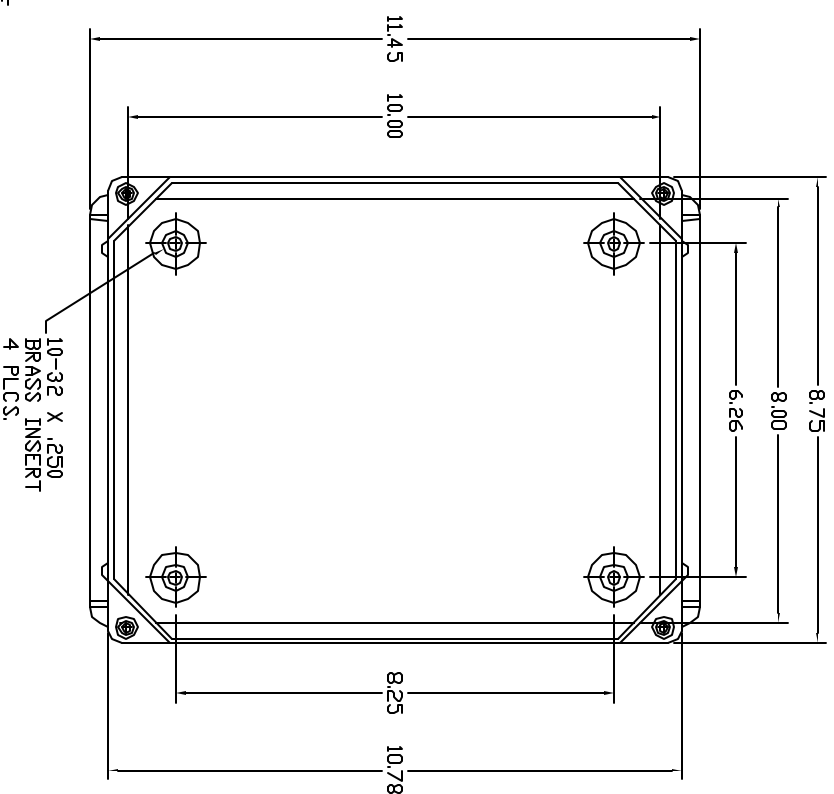
FRONT VIEW



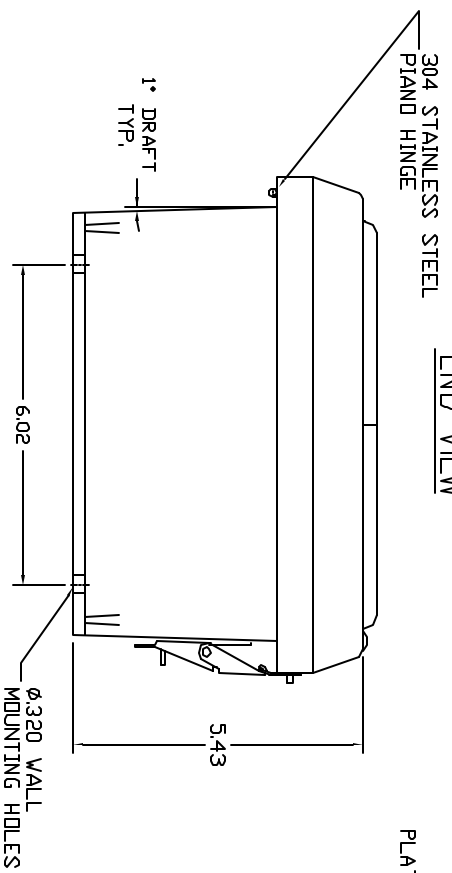
RIGHT SIDE VIEW



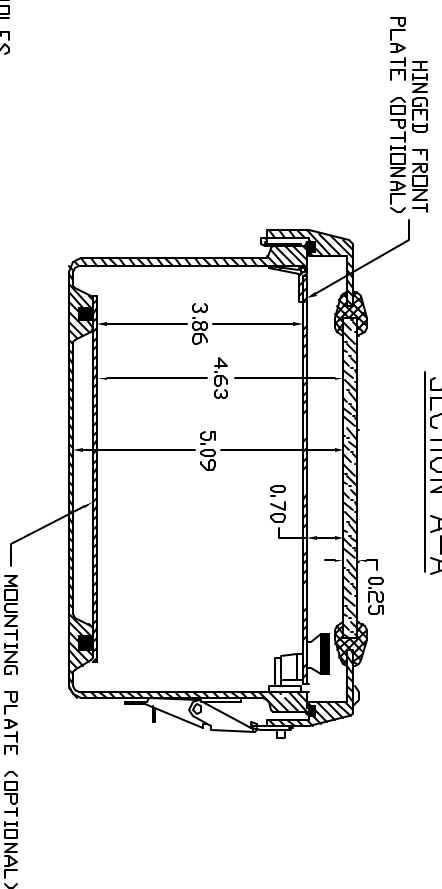
FRONT VIEW - COVER REMOVED



END VIEW



SECTION A-A



- NOTES:
1. ENCLOSURE MATERIAL MADE OF GRAY (RAL 7036) HOT MOLDED FIBERGLASS REINFORCED POLYESTER.
 2. U.L. LISTED PER STD. 508. (FILE# E54315)
 3. CSA CERTIFIED PER STD. C22.2 NO. 94. (FILE# LR36508)
 4. NEMA RATED TYPE 3, 3R, 3S, 4, 4X, 12 AND 13.
 5. IEC 529 RATED IP 68.
 6. RESISTANT TO TEMPERATURES UP TO 150 DEG C.
 7. SELF EXTINGUISHING AND HALOGEN FREE.
 8. ACCESSORIES INCLUDE: BACK PANELS, HINGEABLE FRONT PLATES, HINGED COVERS, PRINT POCKET, LATCHES, WINDOWS, AND VENTILATORS.
 9. CABINETS ARE MAINTENANCE FREE AND CORROSION RESISTANT.

UNLESS OTHERWISE SPECIFIED DIMENSIONS ARE IN INCHES DECIMALS (DIMENSIONS)		WYCKLER ENCLOSURE SYSTEMS INC.	
DRAWN KERRY CHANDLER	DATE 3/19/01	VU SERIES ENCLOSURE WYCKLER PART# VJG1008HWPL1	DWG NO. VJG1008HWPL1
CHECKED DESIGN	DESIGNED	B/E FROM NO. FULL	REV 0
THE ABOVE IS A PRELIMINARY AND PROVISIONAL DRAWING. IT IS THE USER'S RESPONSIBILITY TO VERIFY THE DIMENSIONS AND MATERIALS BEFORE ORDERING. WYCKLER ASSUMES NO LIABILITY FOR ERRORS OR OMISSIONS.		WYCKLER ENCLOSURE SYSTEMS INC.	