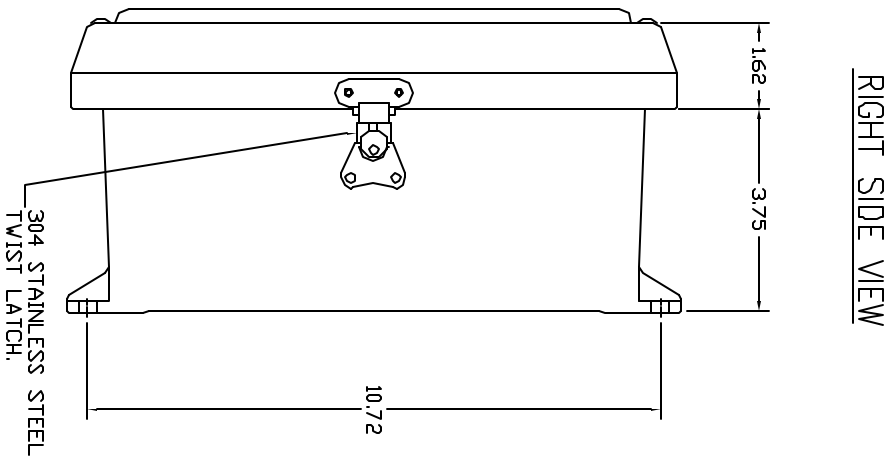
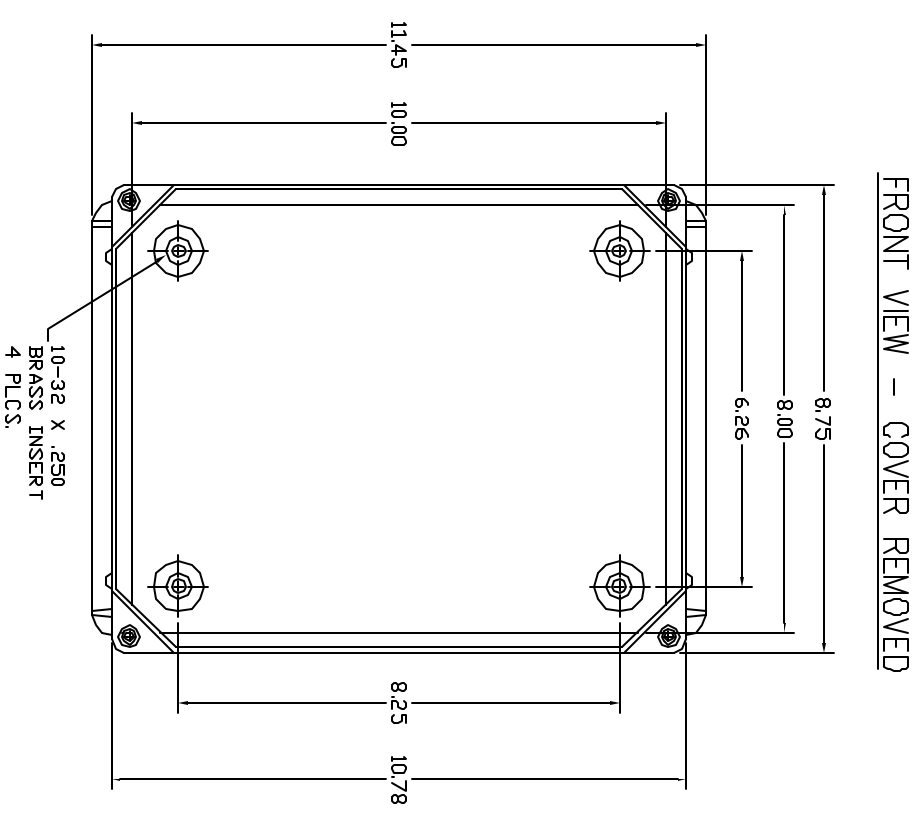


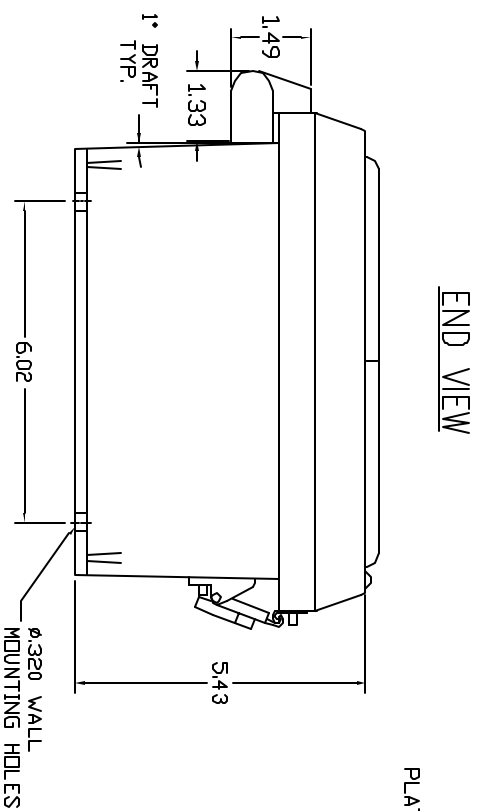
FRONT VIEW



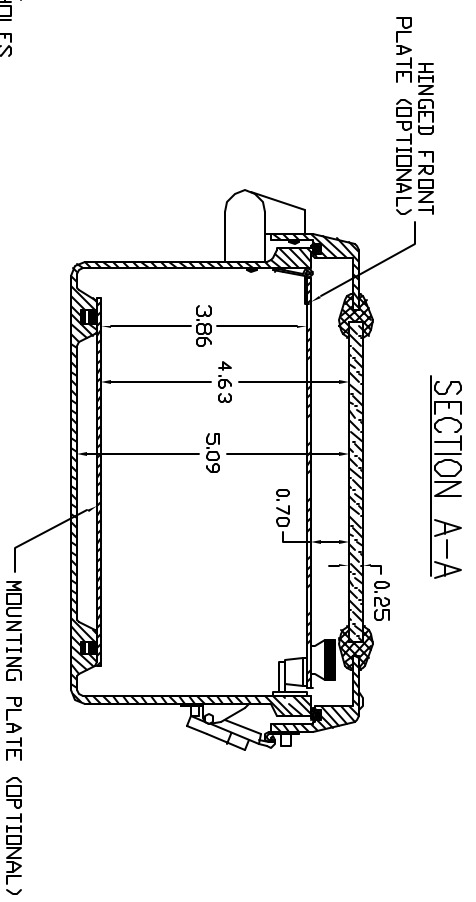
RIGHT SIDE VIEW



FRONT VIEW - COVER REMOVED



END VIEW



SECTION A-A

- NOTES:
1. ENCLOSURE MATERIAL MADE OF GRAY (RAL 7036) HOT MOLDED FIBERGLASS REINFORCED POLYESTER.
 2. U.L. LISTED PER STD. 508. (FILE# E54315)
 3. CSA CERTIFIED PER STD. C22.2 NO. 94. (FILE# LR36508)
 4. NEMA RATED TYPE 3, 3R, 3S, 4, 4X, 12 AND 13.
 5. IEC 529 RATED IP 68.
 6. RESISTANT TO TEMPERATURES UP TO 150 DEG C.
 7. SELF EXTINGUISHING AND HALOGEN FREE.
 8. ACCESSORIES INCLUDE: BACK PANELS, HINGEABLE FRONT PLATES, HINGED COVERS, PRINT POCKET, LATCHES, WINDOWS, AND VENTILATORS.
 9. CABINETS ARE MAINTENANCE FREE AND CORROSION RESISTANT.

UNLESS OTHERWISE SPECIFIED: DIMENSIONS ARE IN INCHES		DRAWN METH CHAPMAN		DATE 12/12/01	
TOLERANCES UNLESS OTHERWISE SPECIFIED: FRACTIONS DECIMALS XXX ±.010 .XXX ±.008 DO NOT SCALE DRAWING		CHECKED METH CHAPMAN		DATE 12/12/01	
VJ SERIES ENCLOSURE VJG1008HWL11		SIZE FRON NO.	DWG NO. VJG1008HWL11	REV 0	REV 0
VINCORP ENCLOSURE SYSTEMS INC.		BRD FULL	BEST		