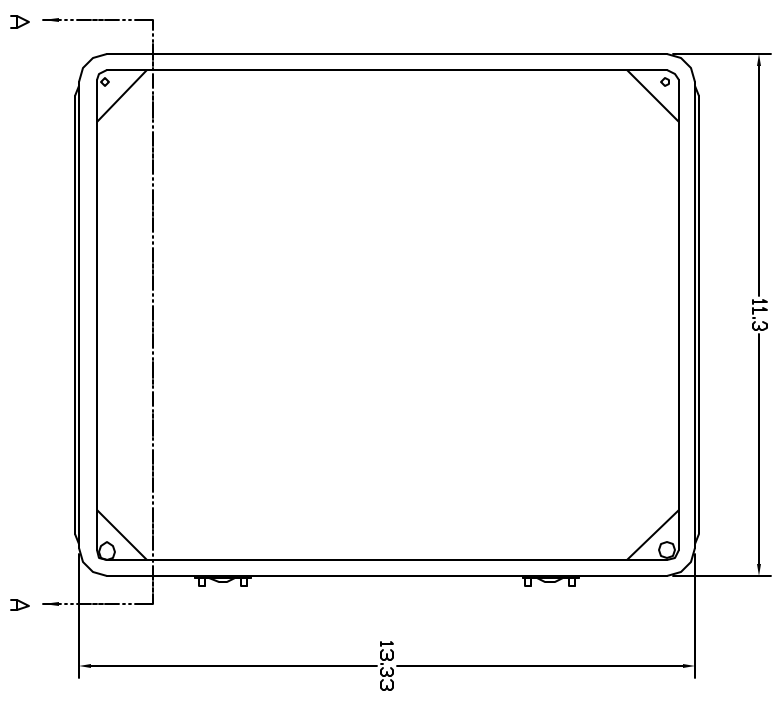
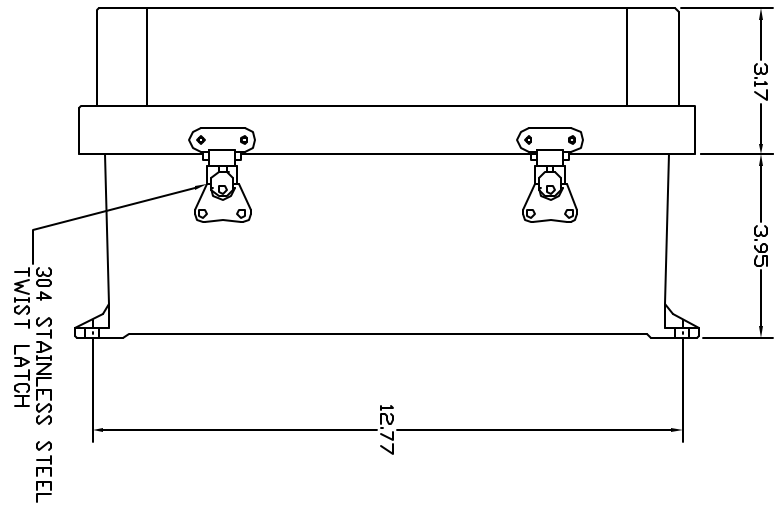


REVISIONS			DATE	APPROVED
ZONE	REV	DESCRIPTION		

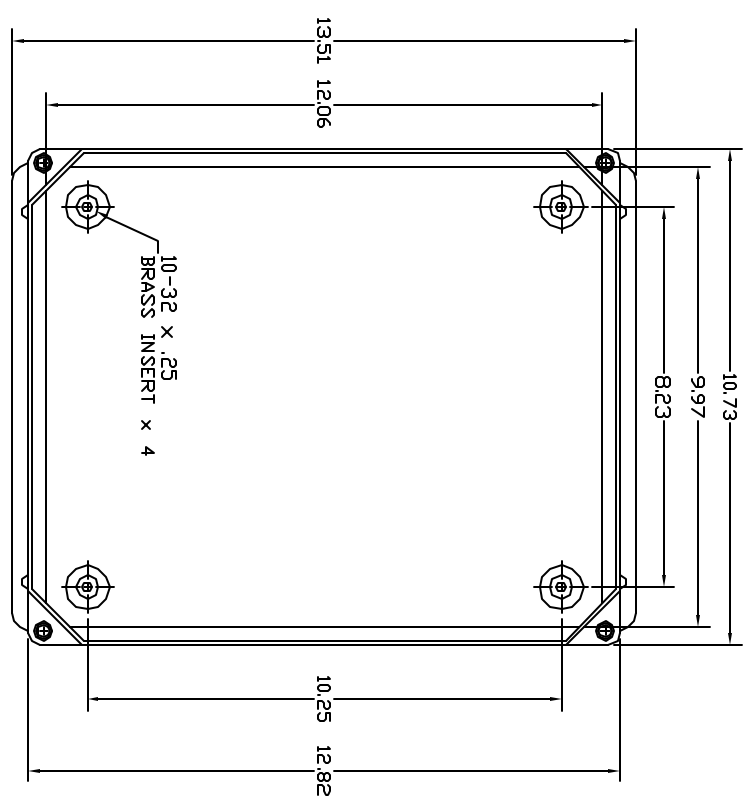
FRONT VIEW



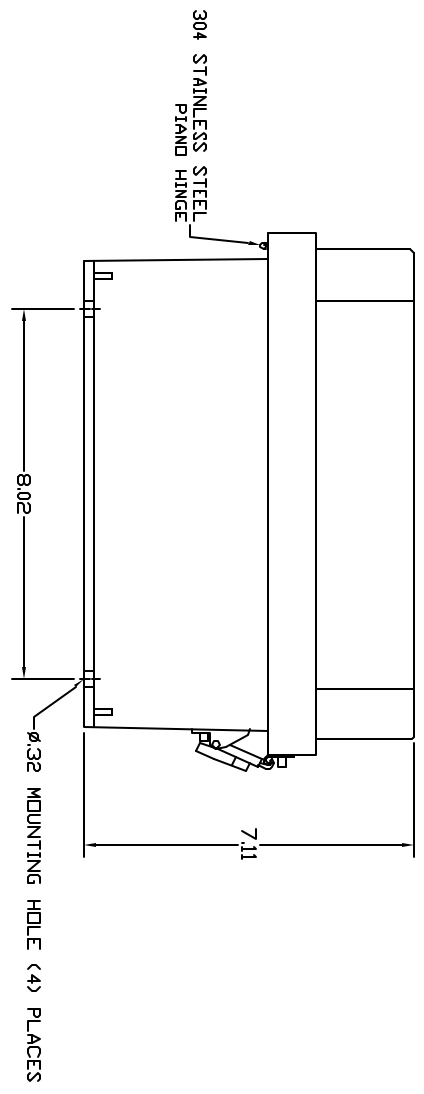
RIGHT SIDE VIEW



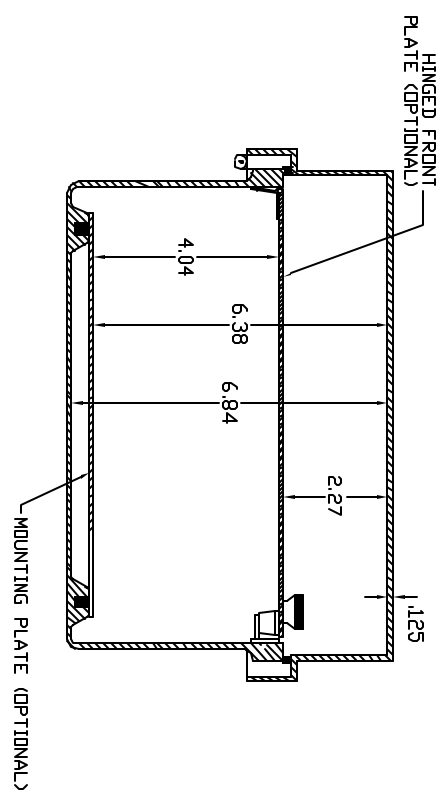
FRONT VIEW-COVER REMOVED



END VIEW



SECTION A-A



- NOTES:
1. ENCLOSURE MATERIAL MADE OF GRAY (RAL 7036) HOT MOLDED FIBERGLASS REINFORCED POLYESTER.
  2. UL LISTED PER STD. 508. (FILE# E54315)
  3. CSA CERTIFIED PER STD. C22.2 NO. 94. (FILE# LR36508)
  4. NEMA RATED TYPE 3, 3R, 3S, 4, 4X, 12 AND 13.
  5. IEC 529 RATED IP 68
  6. TEMPERATURE RANGES FROM -50 DEG C TO 150 DEG C.
  7. SELF EXTINGUISHING AND HALOGEN FREE.
  8. ACCESSORIES INCLUDING BACK PANELS, DEAD FRONT PANELS, HINGED FRONT PLATES, HINGED COVERS, PRINT POCKETS, LATCHES, WINDOWS, AND VENTILATORS.
  9. CABINETS ARE MAINTENANCE FREE AND CORROSION RESISTANT.

THIS DRAWING IS THE CONFIDENTIAL AND PROPRIETARY PROPERTY OF VINCICKER ENCLOSURE SYSTEMS, AND SHALL NOT BE REPRODUCED OR DISCLOSED TO OTHERS WITHOUT WRITTEN PERMISSION OF VINCICKER ENCLOSURE SYSTEMS INC.

UNLESS OTHERWISE SPECIFIED: DIMENSIONS ARE IN INCHES TOLERANCES XX ± .02 XXX ± .010 DO NOT SCALE DRAWING		VINCICKER ENCLOSURE SYSTEMS LTD.	
DRAWN KEITH CHAPMAN	DATE 02/21/04	RVJ SERIES ENCLOSURE VINCICKER PART# RVJ1210HWLL2	
CHECKED DESIGN	SCALE FULL	DWG NO. RVJ1210HWLL2	REV 0