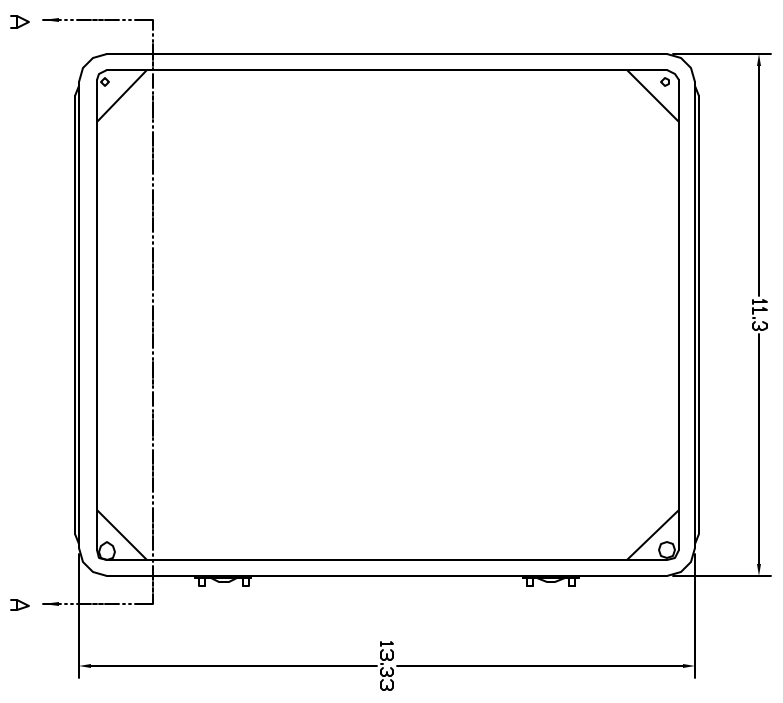
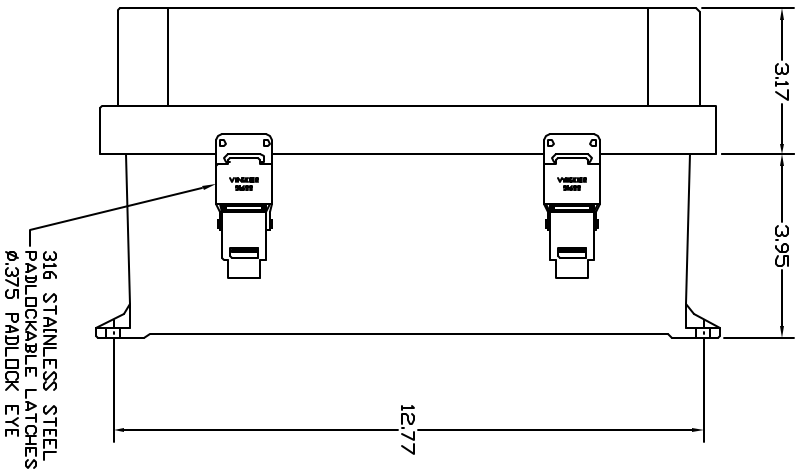


REVISIONS			DATE	APPROVED
ZONE	REV	DESCRIPTION		

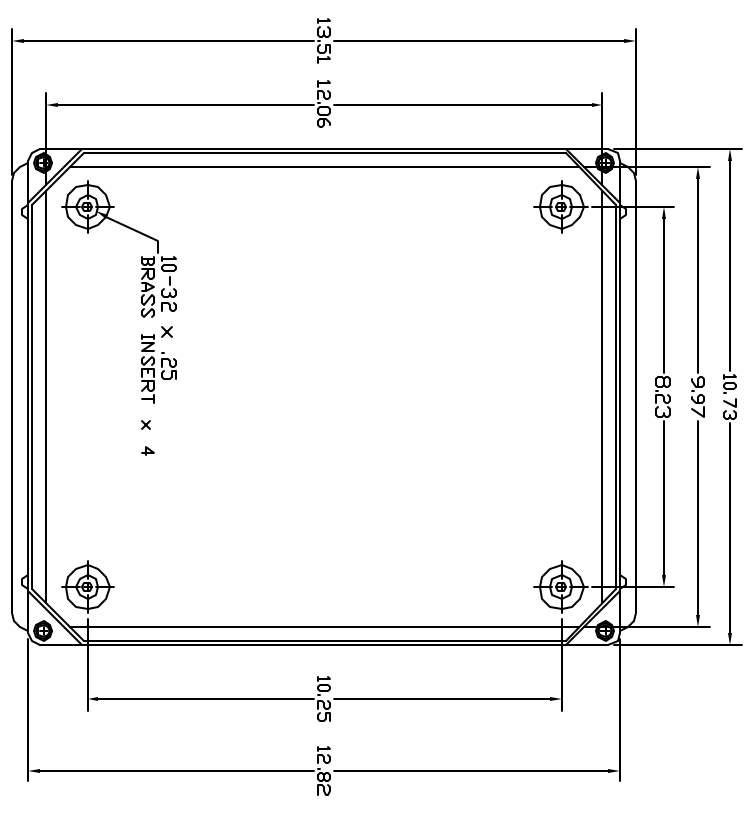
FRONT VIEW



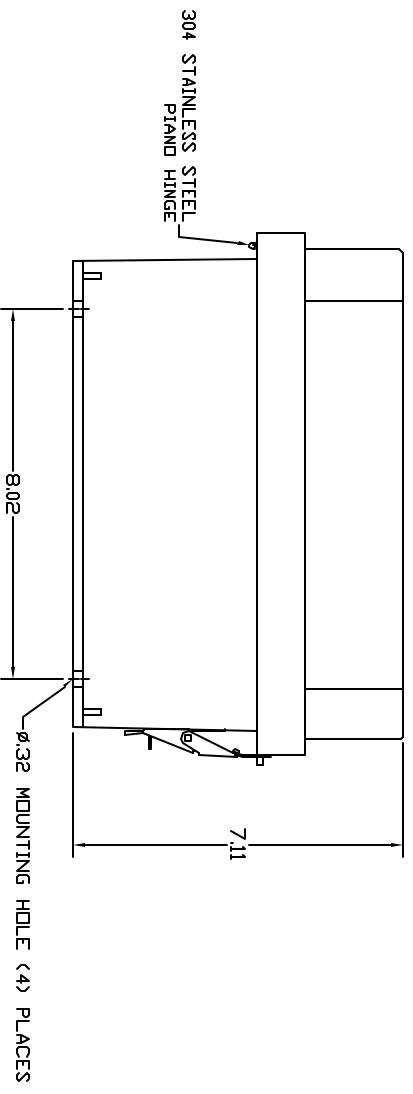
RIGHT SIDE VIEW



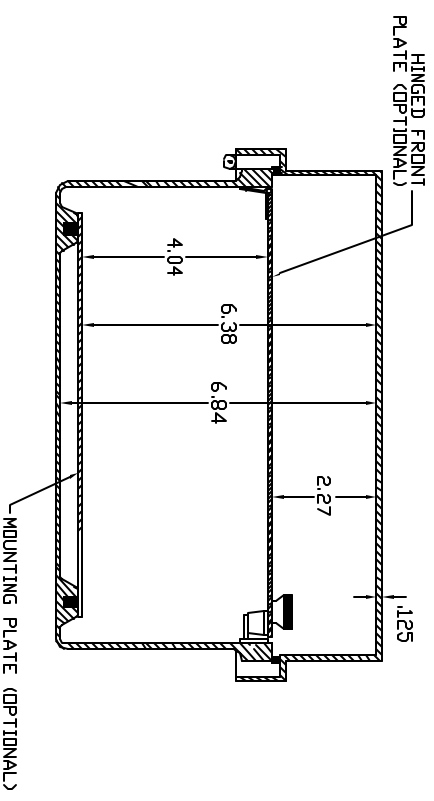
FRONT VIEW-COVER REMOVED



END VIEW



SECTION A-A



- NOTES:
- ENCLOSURE MATERIAL MADE OF GRAY (RAL 7036) HOT MOLDED FIBERGLASS REINFORCED POLYESTER.
 - UL LISTED PER STD. 508 (FILE# E54315)
 - CSA CERTIFIED PER STD. C22.2 NO. 94 (FILE# LR36508)
 - NEMA RATED TYPE 3, 3R, 3S, 4, 4X, 12 AND 13.
 - IEC 529 RATED IP 68
 - TEMPERATURE RANGES FROM -50 DEG C TO 150 DEG C.
 - SELF EXTINGUISHING AND HALOGEN FREE.
 - ACCESSORIES INCLUDING BACK PANELS, DEAD FRONT PANELS, HINGED FRONT PLATES, HINGED COVERS, PRINT POCKETS, LATCHES, WINDOWS, AND VENTILATORS.
 - CABINETS ARE MAINTENANCE FREE AND CORROSION RESISTANT.

THIS DRAWING IS THE CONFIDENTIAL AND PROPRIETARY PROPERTY OF VINCOR ENCLASURE SYSTEMS, AND SHALL NOT BE REPRODUCED OR DISCLOSED TO OTHERS EXCEPT BY EXPRESS WRITTEN PERMISSION OF VINCOR ENCLASURE SYSTEMS INC.

UNLESS OTHERWISE SPECIFIED: DIMENSIONS ARE IN INCHES TOLERANCES		VINCOR ENCLASURE SYSTEMS LTD.	
DRAWN	DATE	RWJ SERIES ENCLASURE	
KETH CHAPMAN	02/21/04	VINCOR PART# RVJ1210HW/PL2	
CHECKED	DATE	DWG NO.	REV
DESIGN		RVJ1210HW/PL2	0
SCALE: FULL		SHEET	