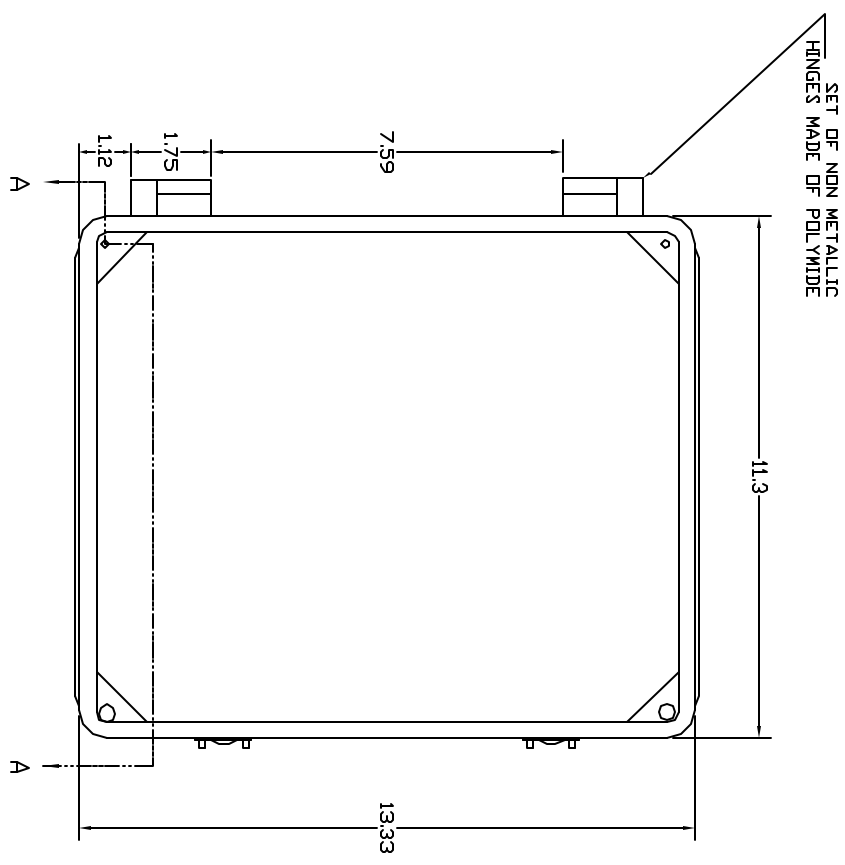
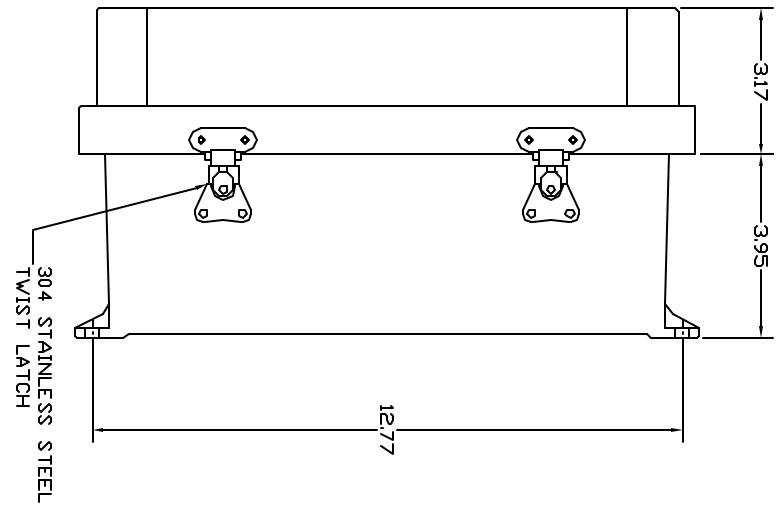


REVISIONS			DATE	APPROVED
ZONE	REV	DESCRIPTION		

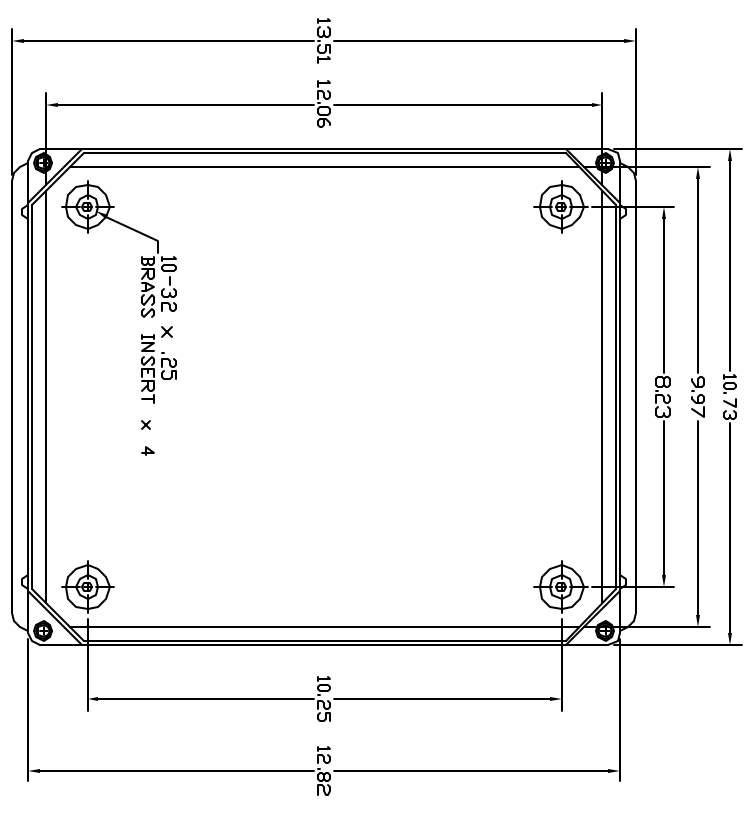
FRONT VIEW



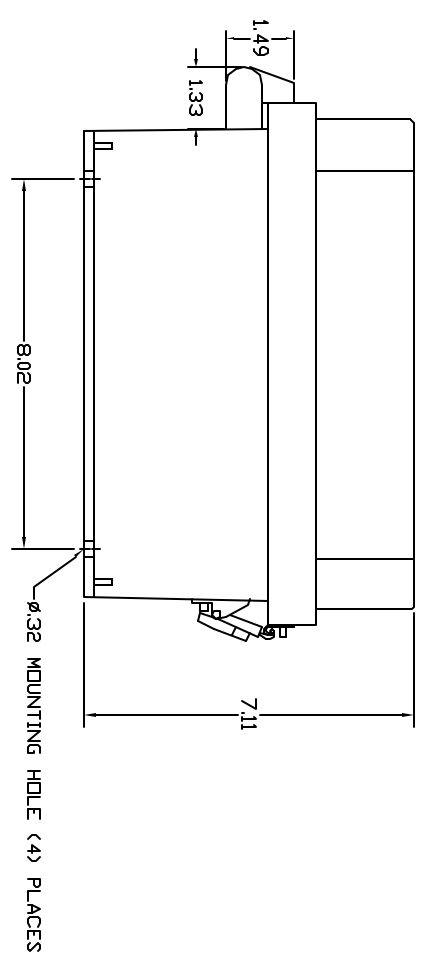
RIGHT SIDE VIEW



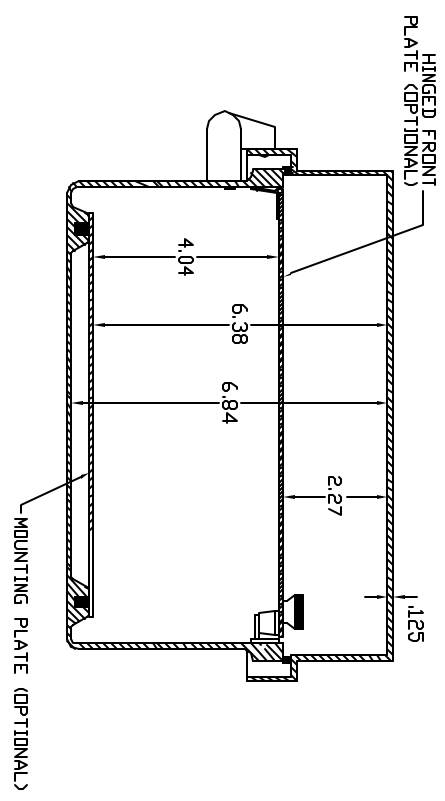
FRONT VIEW-COVER REMOVED



END VIEW



SECTION A-A



- NOTES:
- ENCLOSURE MATERIAL MADE OF GRAY (RAL 7036) HOT MOLDED FIBERGLASS REINFORCED POLYESTER.
  - UL LISTED PER STD. 508. (FILE# E54315)
  - CSA CERTIFIED PER STD. C22.2 NO. 94. (FILE# LR36508)
  - NEMA RATED TYPE 3, 3R, 3S, 4, 4X, 12 AND 13.
  - IEC 529 RATED IP 68
  - TEMPERATURE RANGES FROM -50 DEG C TO 150 DEG C.
  - SELF EXTINGUISHING AND HALOGEN FREE.
  - ACCESSORIES INCLUDING BACK PANELS, DEAD FRONT PANELS, HINGED FRONT PLATES, HINGED COVERS, PRINT POCKETS, LATCHES, WINDOWS, AND VENTILATORS.
  - CABINETS ARE MAINTENANCE FREE AND CORROSION RESISTANT.

THIS DRAWING IS THE CONFIDENTIAL AND PROPRIETARY PROPERTY OF VINCICKER ENCLOSURE SYSTEMS, AND SHALL NOT BE REPRODUCED OR DISCLOSED TO OTHERS WITHOUT WRITTEN PERMISSION OF VINCICKER ENCLOSURE SYSTEMS INC.

UNLESS OTHERWISE SPECIFIED:  
DIMENSIONS ARE IN INCHES  
TOLERANCES  
DECIMALS  
XX ± .02  
XXX ± .010  
DO NOT SCALE DRAWING

VINCICKER  
ENCLOSURE SYSTEMS LTD.

RVJ SERIES ENCLOSURE

VINCICKER PART# RVJ1210NHVLL2

DRAWN	DATE	SIZE	FORM NO.	DWG NO.	REV
CHECKED	02/21/04	D		RVJ1210NHVLL2	0
DESIGN		SCALE:	FULL	SHEET	