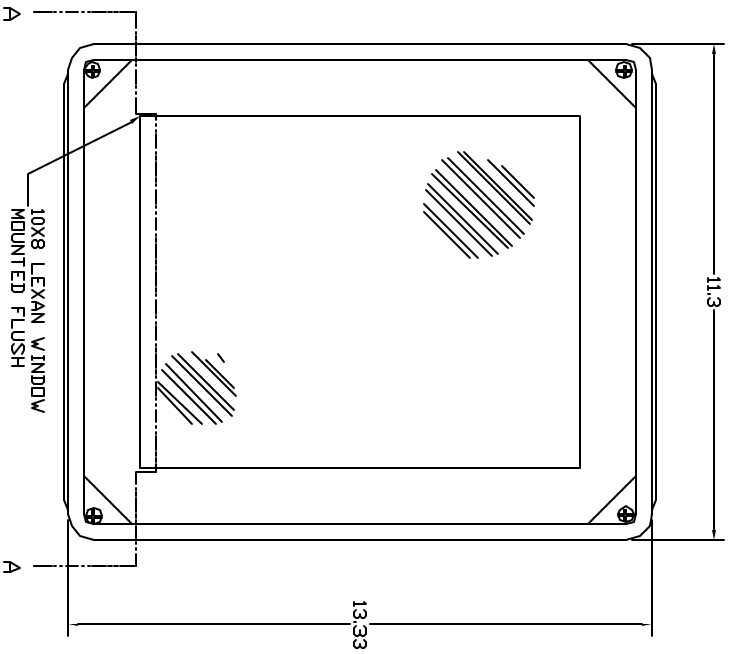
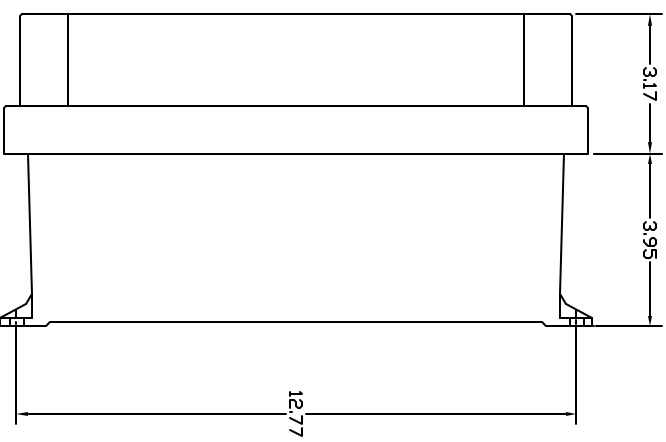


REVISIONS				
ZONE	REV	DESCRIPTION	DATE	APPROVED

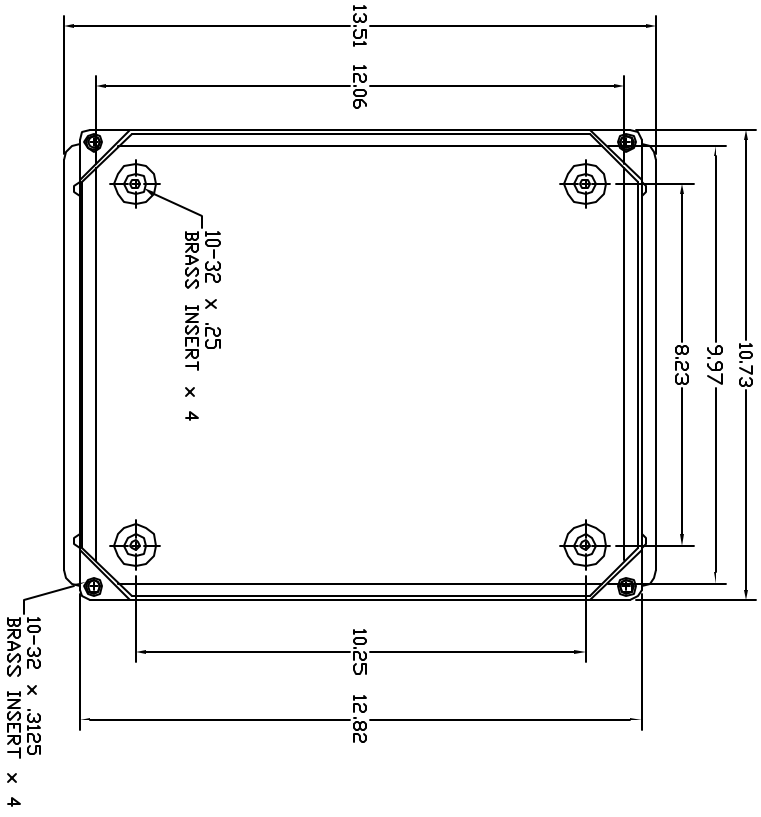
FRONT VIEW



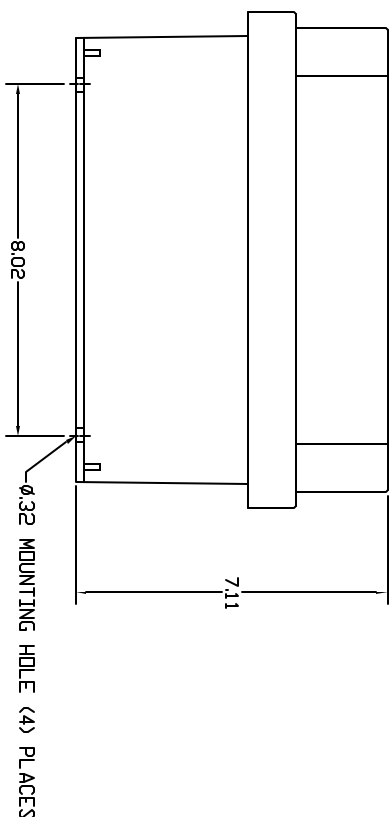
RIGHT SIDE VIEW



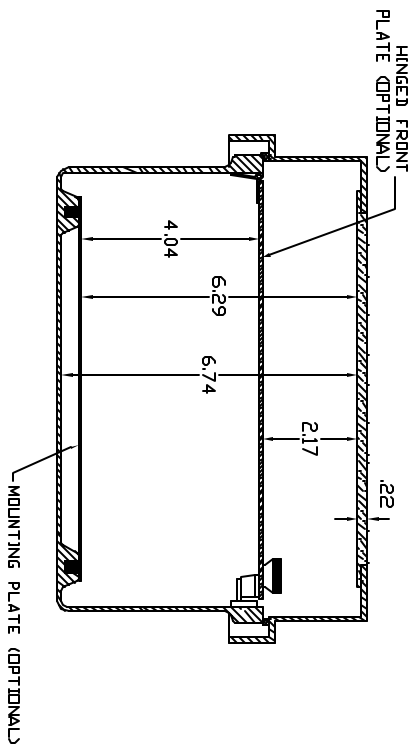
FRONT VIEW - COVER REMOVED



END VIEW



SECTION A-A



- NOTES:
- ENCLOSURE MATERIAL MADE OF GRAY (RAL 7036) HOT MOLDED FIBERGLASS REINFORCED POLYESTER.
 - UL LISTED PER STD. 508. (FILE# ES4315)
 - CSA CERTIFIED PER STD. C22.2 NO. 94. (FILE# LR36508)
 - NEMA RATED TYPE 3, 3R, 3S, 4, 4X, 12 AND 13.
 - IEC 529 RATED IP 68.
 - TEMPERATURE RANGES FROM -50 DEG C TO 150 DEG C.
 - SELF EXTINGUISHING AND HALOGEN FREE.
 - ACCESSORIES INCLUDE: BACK PANELS, DEAD FRONT PANELS, HINGED FRONT PLATES, HINGED COVERS, PRINT POCKETS, LATCHES, WINDOWS, AND VENTILATORS.
 - CABINET'S ARE MAINTENANCE FREE AND CORROSION RESISTANT.

UNLESS OTHERWISE SPECIFIED: DIMENSIONS ARE IN INCHES
TOLERANCES
XX .XXX ± .010
DO NOT SCALE DRAWING

WYCKKIER ENCLOSURE SYSTEMS LTD.
RVJ SERIES ENCLOSURE
WYCKKIER PART# RVBJ210W

DRAWN KEITH CHAPMAN	DATE 02/21/07	SIZE FULL	FRESH NO.	DWG NO. RVBJ210W	REV 0
CHECKED DESIGN		SCALE			SHEET

THIS DRAWING IS THE CONFIDENTIAL AND PROPRIETARY PROPERTY OF WYCKKIER ENCLOSURE SYSTEMS AND SHALL NOT BE REPRODUCED OR INCLUDED TO OTHERS EXCEPT BY EXPRESS WRITTEN PERMISSION OF WYCKKIER ENCLOSURE SYSTEMS INC.