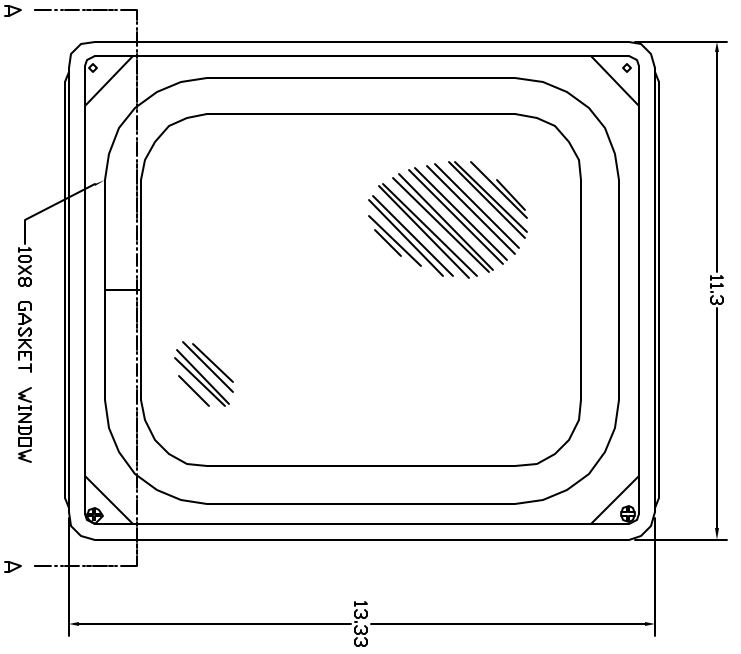
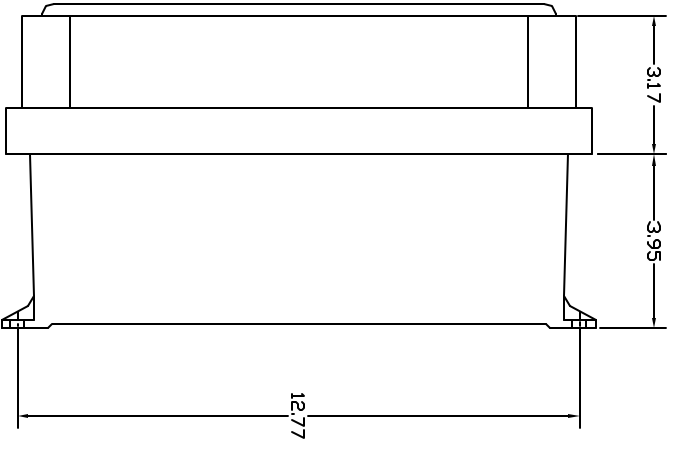


REVISIONS				
ZONE	REV	DESCRIPTION	DATE	APPROVED

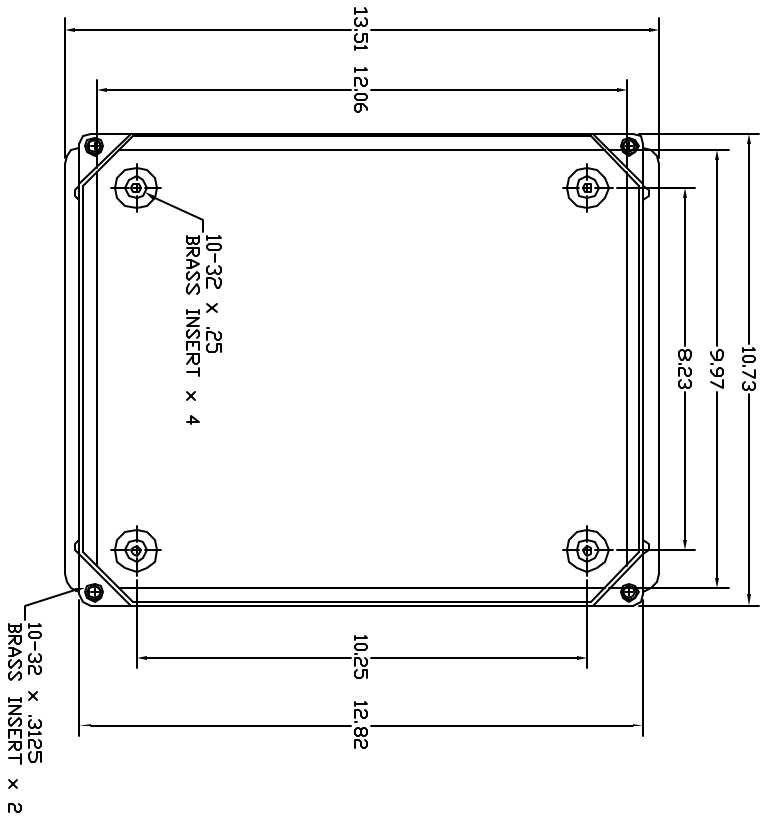
FRONT VIEW



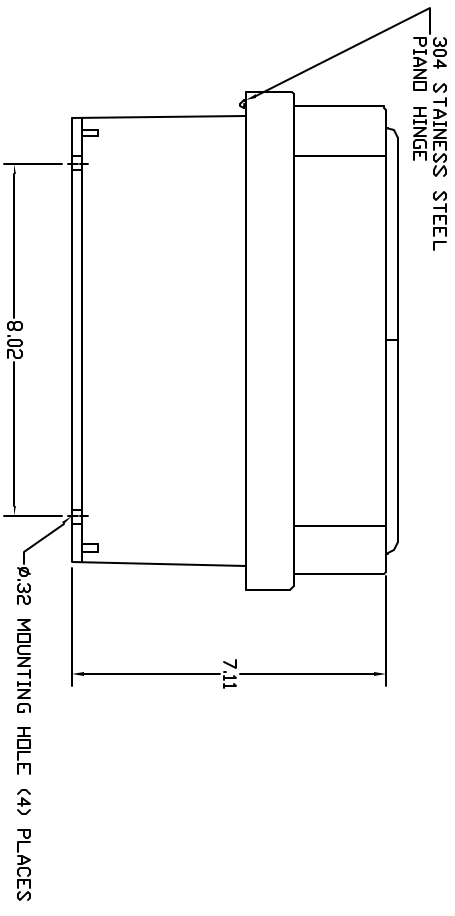
RIGHT SIDE VIEW



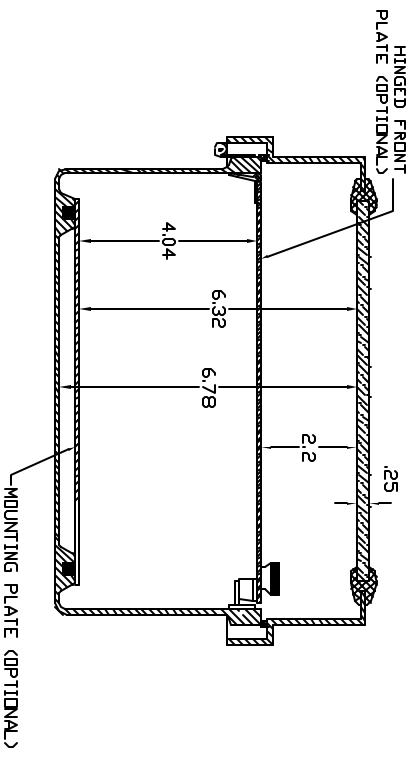
FRONT VIEW-COVER REMOVED



END VIEW



SECTION A-A



- NOTES:
- ENCLOSURE MATERIAL MADE OF GRAY (RAL 7036) HOT MOLDED FIBERGLASS REINFORCED POLYESTER.
 - UL LISTED PER STD. 508. (FILE# E54315)
 - CSA CERTIFIED PER STD. C222 NO. 94. (FILE# LR36508)
 - NEMA RATED TYPE 3, 3R, 3S, 4, 4X, I2 AND I3.
 - IEC 529 RATED IP 68.
 - TEMPERATURE RANGES FROM -50 DEG C TO 150 DEG C.
 - SELF EXTINGUISHING AND HALOGEN FREE.
 - ACCESSORIES INCLUDE: BACK PANELS, DEAD FRONT PANELS, HINGED FRONT PLATES, HINGED COVERS, PRINT POCKETS, LATCHES, WINDOWS, AND VENTILATORS.
 - CABINETS ARE MAINTENANCE FREE AND CORROSION RESISTANT.

THIS DRAWING IS THE CONFIDENTIAL AND PROPRIETARY PROPERTY OF WYNCKLER ENCLOSURE SYSTEMS, AND SHALL NOT BE REPRODUCED OR DISCLOSED TO OTHERS EXCEPT BY EXPRESS WRITTEN PERMISSION OF WYNCKLER ENCLOSURE SYSTEMS INC.

UNLESS OTHERWISE SPECIFIED, DIMENSIONS ARE IN INCHES			
DRAWN	KEITH CHAMANN	DATE	02/21/01
CHECKED			
DESIGN			
RWJ SERIES ENCLOSURE		WYNCKLER PART# RVJG1210HW	
SIZE	FSCM NO.	DWG NO.	RVJG1210HW
D			
SCALE	FULL	SHEET	
REV		REV	0