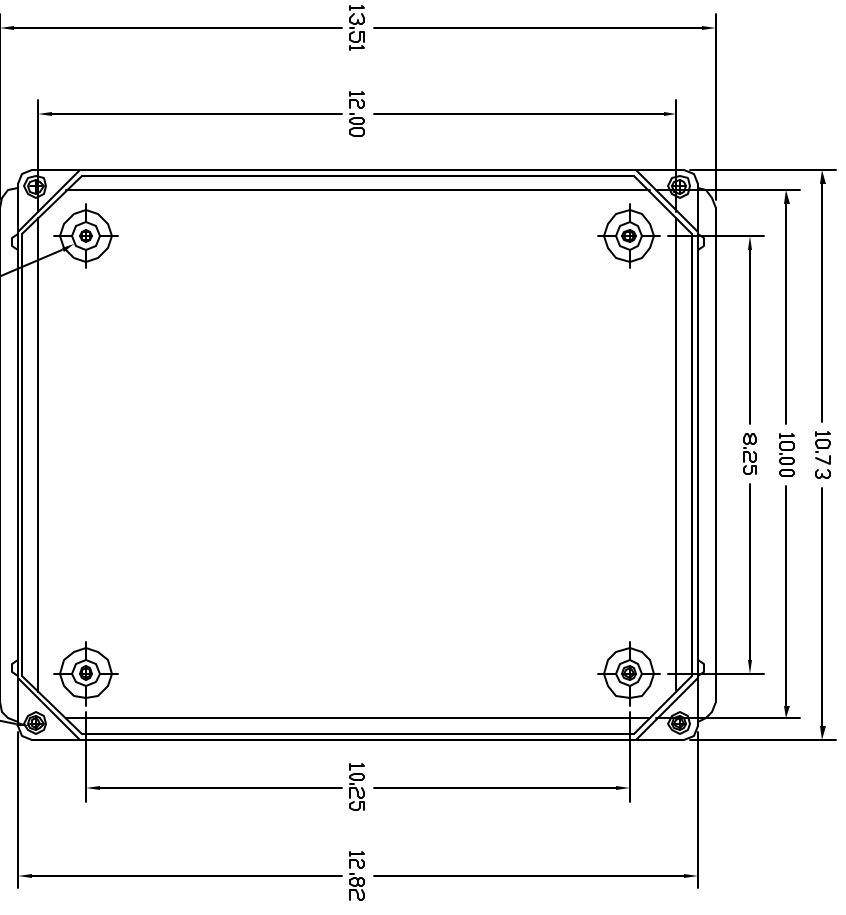


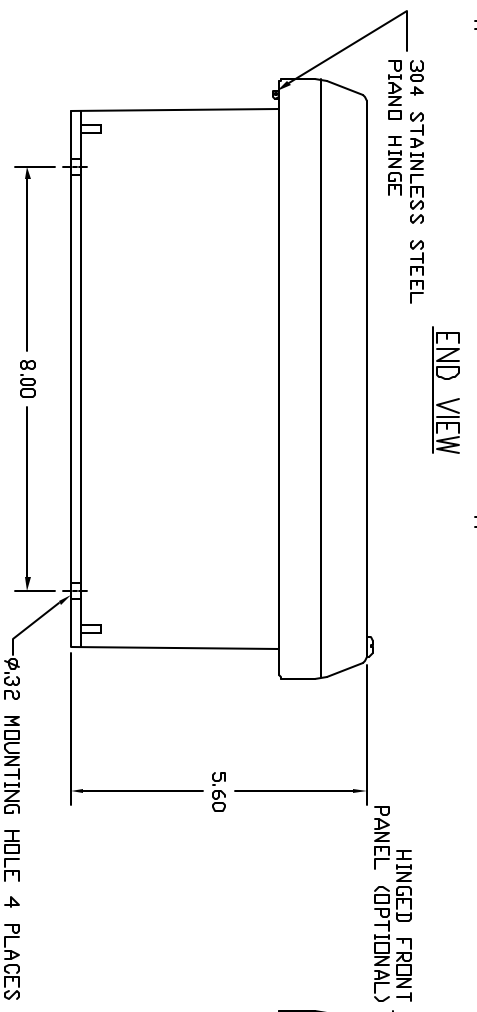
FRONT VIEW



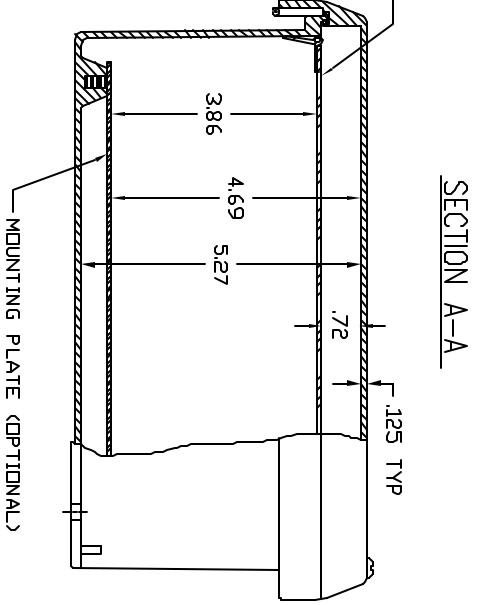
RIGHT SIDE VIEW



FRONT VIEW-COVER REMOVED



END VIEW



SECTION A-A

- NOTES:
1. ENCLOSURE MATERIAL MADE OF GRAY (RAL 7036) HOT MOLDED FIBERGLASS REINFORCED POLYESTER.
  2. U.L. LISTED PER STD. 508. (FILE# E54315)
  3. CSA CERTIFIED PER STD. C22.2 ND. 94. (FILE# LR36508)
  4. NEMA RATED TYPE 3, 3R, 3S, 4, 4X, 12 AND 13.
  5. IEC 529 RATED IP 68.
  6. TEMPERATURE RANGES FROM -50 DEG C TO 150 DEG C.
  7. SELF EXTINGUISHING AND HALOGEN FREE.
  8. ACCESSORIES INCLUDE: BACK PANELS, DEAD FRONT PANELS, HINGED FRONT PLATES, HINGED COVERS, PRINT POCKETS, LATCHES, WINDOWS, AND VENTILATORS.
  9. CABINETS ARE MAINTENANCE FREE AND CORROSION RESISTANT.

UNLESS OTHERWISE SPECIFIED, DIMENSIONS ARE IN INCHES DECIMALS FRACTIONS  
 XXX ± .010  
 XXX ± .010  
 DO NOT SCALE DRAWING  
 DRAWN KEITH CHAPMAN  
 DATE 2/13/01  
 CHECKED  
 DESIGN

**WYNCKIER**  
 ENCLOSURE SYSTEMS INC.

WYNCKIER PART# VJ1210HW

SIZE	FSCM NO.	DWG NO.	REV
D		VJ1210HW	0
SCALE: FULL		SHEET	