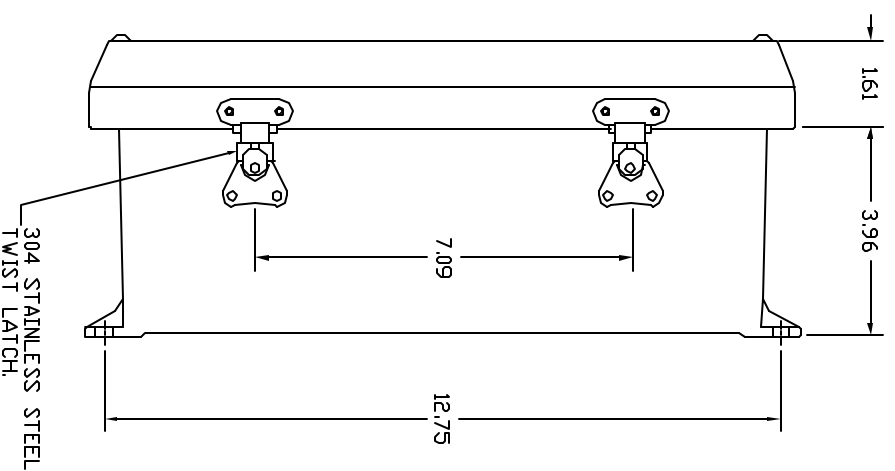
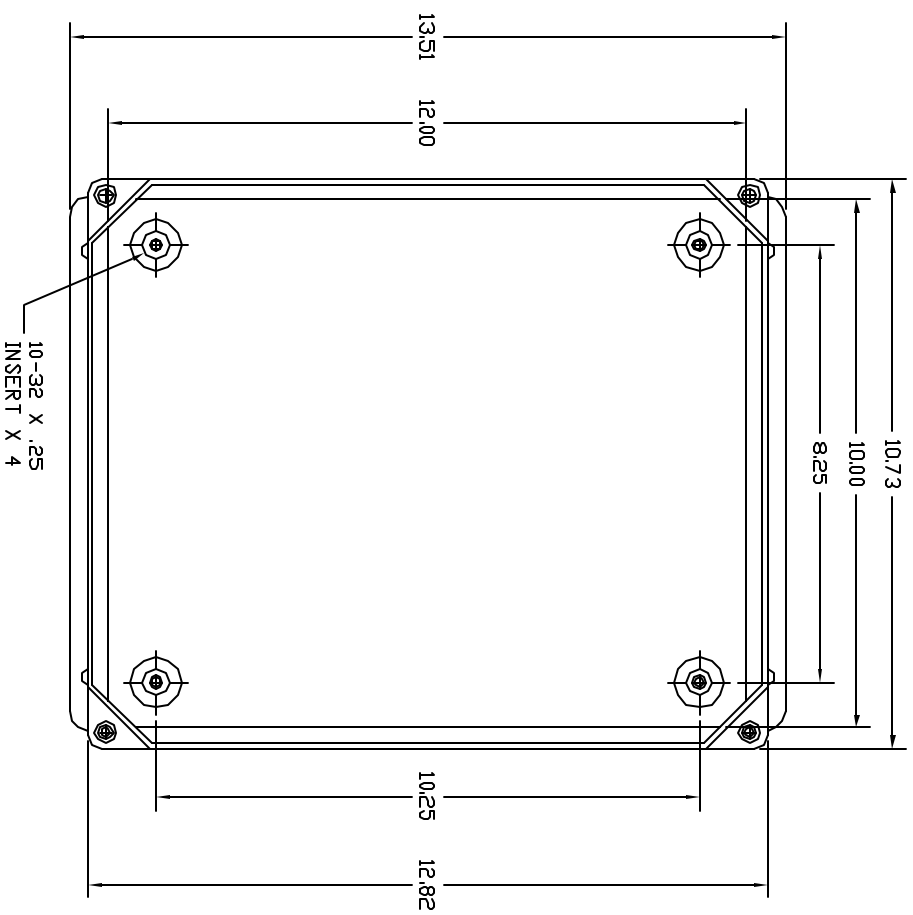


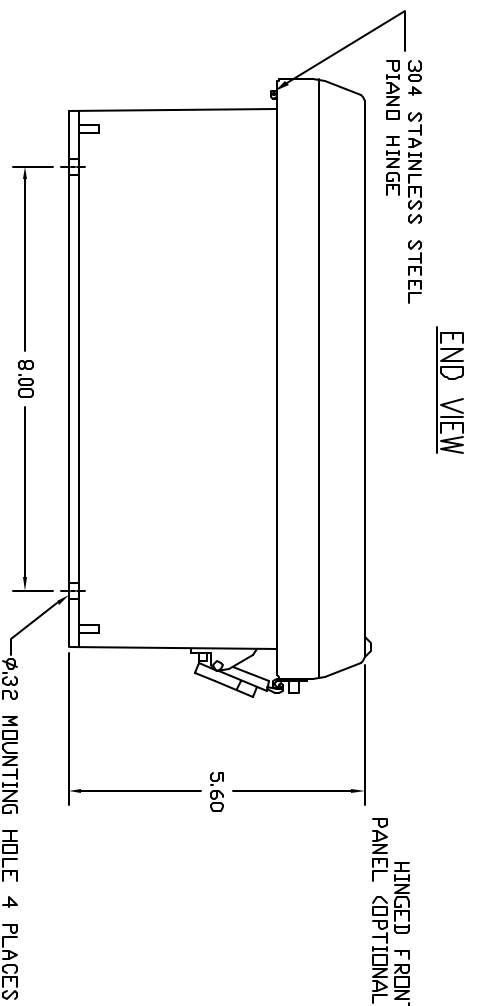
FRONT VIEW



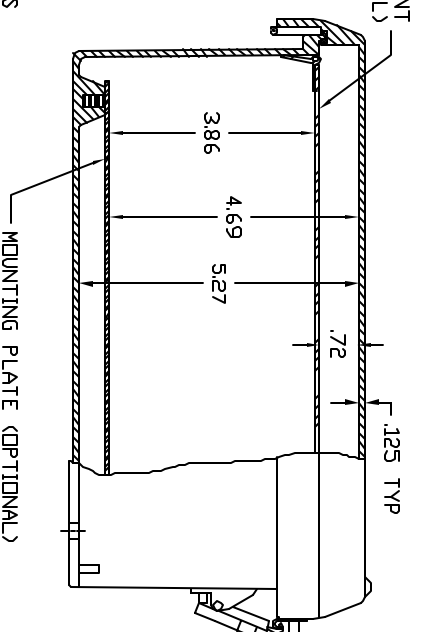
RIGHT SIDE VIEW



FRONT VIEW-COVER REMOVED



END VIEW



SECTION A-A

- NOTES:
1. ENCLOSURE MATERIAL MADE OF GRAY (RAL 7036) HOT MOLDED FIBERGLASS REINFORCED POLYESTER.
 2. U.L. LISTED PER STD. 508. (FILE# E54315)
 3. CSA CERTIFIED PER STD. C22.2 NO. 94. (FILE# LR36508)
 4. NEMA RATED TYPE 3, 3R, 3S, 4, 4X, 12 AND 13.
 5. IEC 529 RATED IP 68.
 6. TEMPERATURE RANGES FROM -50 DEG C TO 150 DEG C.
 7. SELF EXTINGUISHING AND HALOGEN FREE.
 8. ACCESSORIES INCLUDE: BACK PANELS, DEAD FRONT PANELS, HINGED FRONT PLATES, HINGED COVERS, PRINT POCKETS, LATCHES, WINDOWS, AND VENTILATORS.
 9. CABINETS ARE MAINTENANCE FREE AND CORROSION RESISTANT.

THIS DRAWING IS THE PROPRIETARY AND CONFIDENTIAL PROPERTY OF WYNCKIER ENCLOSURE SYSTEMS, INC. AND SHALL NOT BE REPRODUCED, COPIED, OR USED IN ANY MANNER WITHOUT THE WRITTEN PERMISSION OF WYNCKIER ENCLOSURE SYSTEMS, INC.



WYNCKIER PART# VJ1210HWLL2

UNLESS OTHERWISE SPECIFIED, DIMENSIONS ARE IN INCHES DECIMALS	DATE	SIZE	FORM NO.	DWG NO.	REV
XXX ± .02 XXX ± .010 DO NOT SCALE DRAWING	2/13/01	D		VJ1210HWLL2	0
DRAWN KEITH CHAPMAN		SCALE: FULL			SHEET
CHECKED DESIGN					