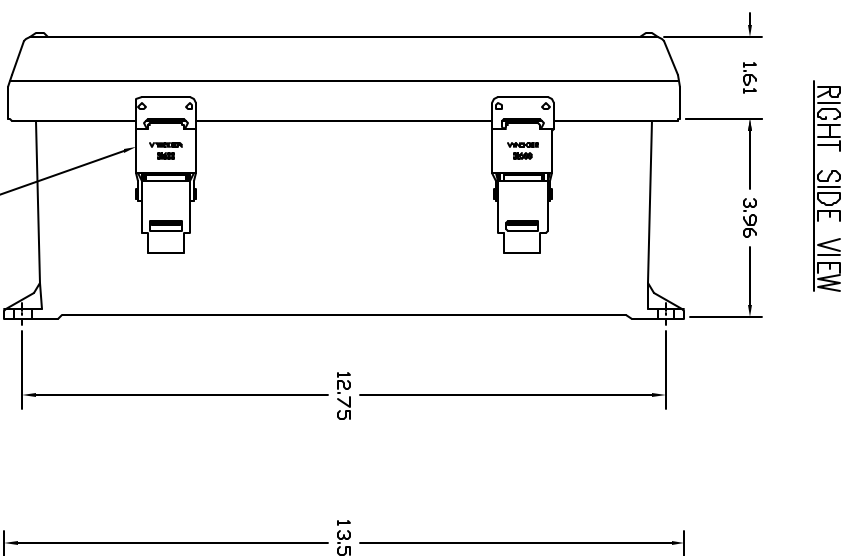
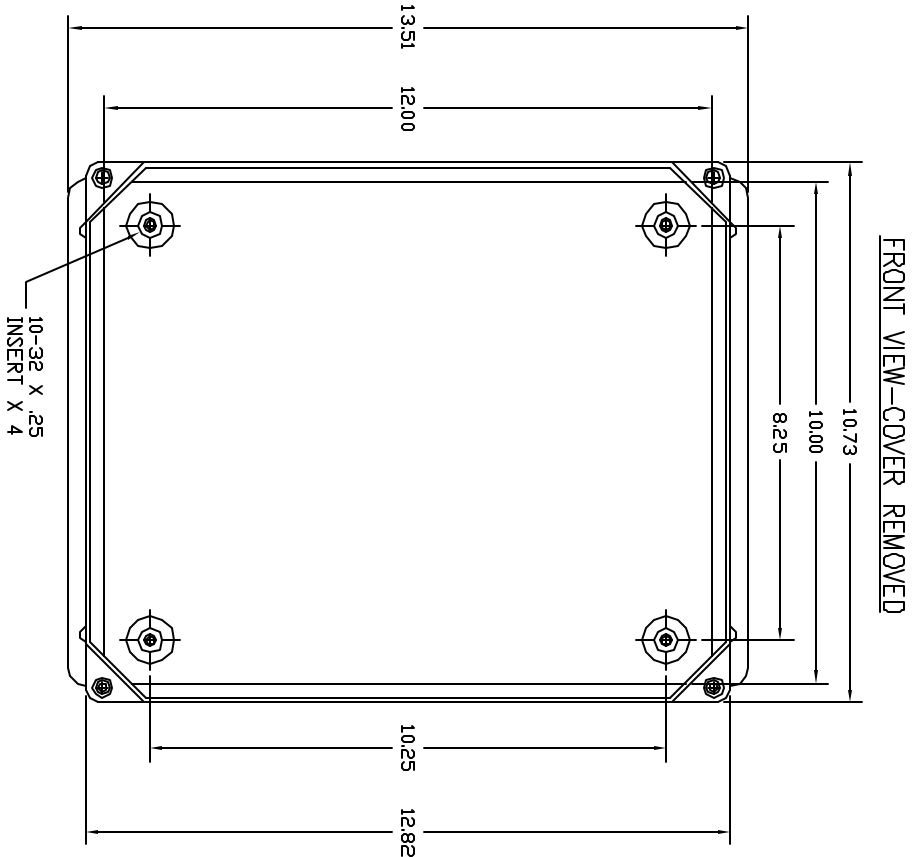


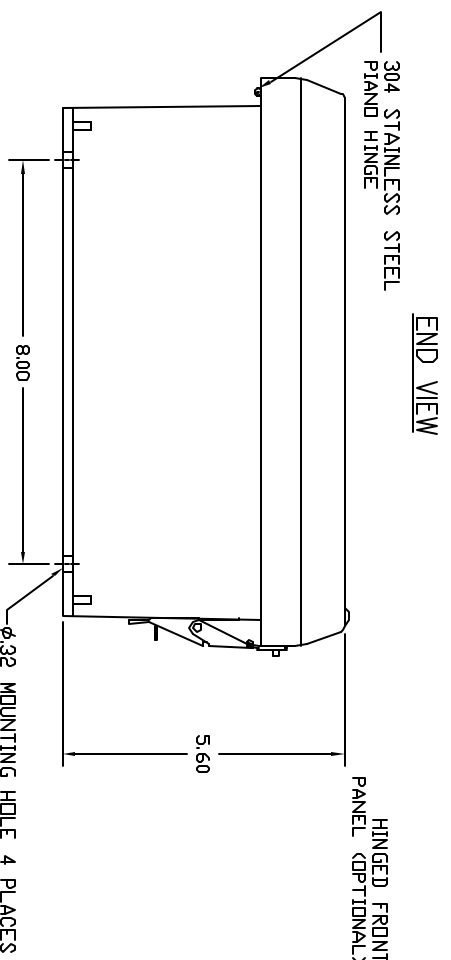
FRONT VIEW



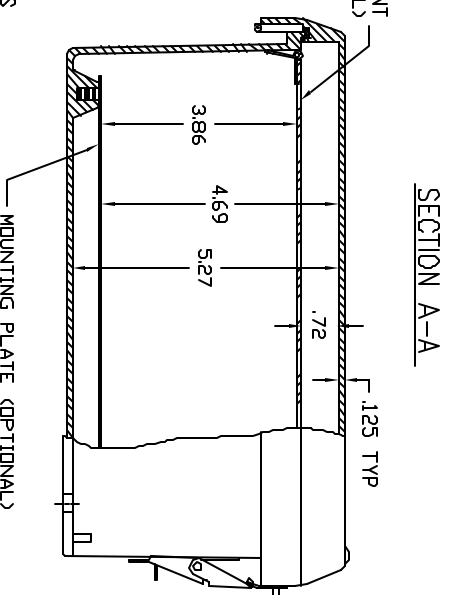
RIGHT SIDE VIEW



FRONT VIEW-COVER REMOVED



END VIEW



SECTION A-A

316 STAINLESS STEEL
PADLOCK LATCH ATTACHED
WITH RIVETS: Ø.375 PADLOCK EYE

10-32 X .25
INSERT X 4

- NOTES:
1. ENCLOSURE MATERIAL MADE OF GRAY (RAL 7036) HOT MOLDED FIBERGLASS REINFORCED POLYESTER.
 2. UL LISTED PER STD. 508. (FILE# E54315)
 3. CSA CERTIFIED PER STD. C22.2 NO. 94. (FILE# LR36508)
 4. NEMA RATED TYPE 3, 3R, 3S, 4, 4X, 12 AND 13.
 5. IEC 529 RATED IP 68.
 6. TEMPERATURE RANGES FROM -50 DEG C TO 150 DEG C.
 7. SELF EXTINGUISHING AND HALOGEN FREE.
 8. ACCESSORIES INCLUDE: BACK PANELS, DEAD FRONT PANELS, HINGED FRONT PANELS, HINGED COVERS, PRINT POCKETS, LATCHES, WINDOWS, AND VENTILATORS.
 9. CABINETS ARE MAINTENANCE FREE AND CORROSION RESISTANT.

THIS DRAWING IS THE CONFIDENTIAL AND PROPRIETARY PROPERTY OF VNCKIER ENCLISURE SYSTEMS, AND SHALL NOT BE REPRODUCED OR WASTED TO OTHERS WITHOUT THE WRITTEN PERMISSION OF VNCKIER ENCLISURE SYSTEMS INC.

UNLESS OTHERWISE SPECIFIED:
DIMENSIONS IN INCHES
TOLERANCES
.XX ±.02
.XXX ±.010
DO NOT SCALE DRAWING

VNCKIER
ENCLOSURE SYSTEMS INC.

VNCKIER PART# VJ1210HWPL2

DESIGN	DATE	SIZE	FORM NO.	DWG NO.	REV
DESIGN	2/13/91	D		VJ1210HWPL2	0
DRAWN		SCALE: FULL		SHEET	
CHECKED					
KENN CHAPMAN					