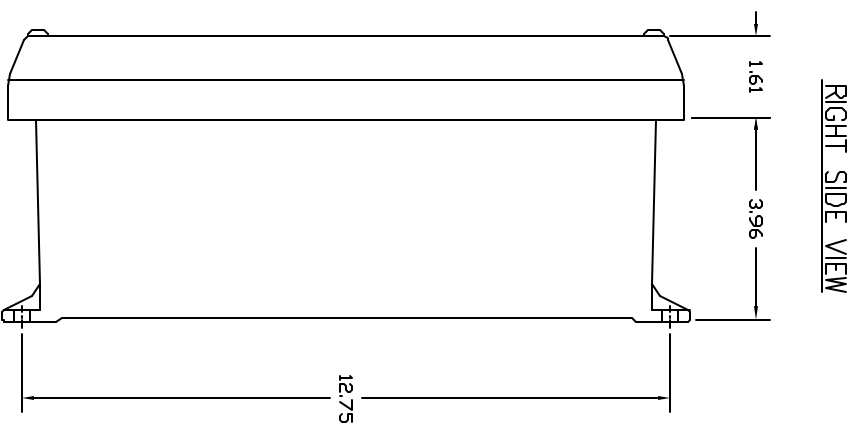
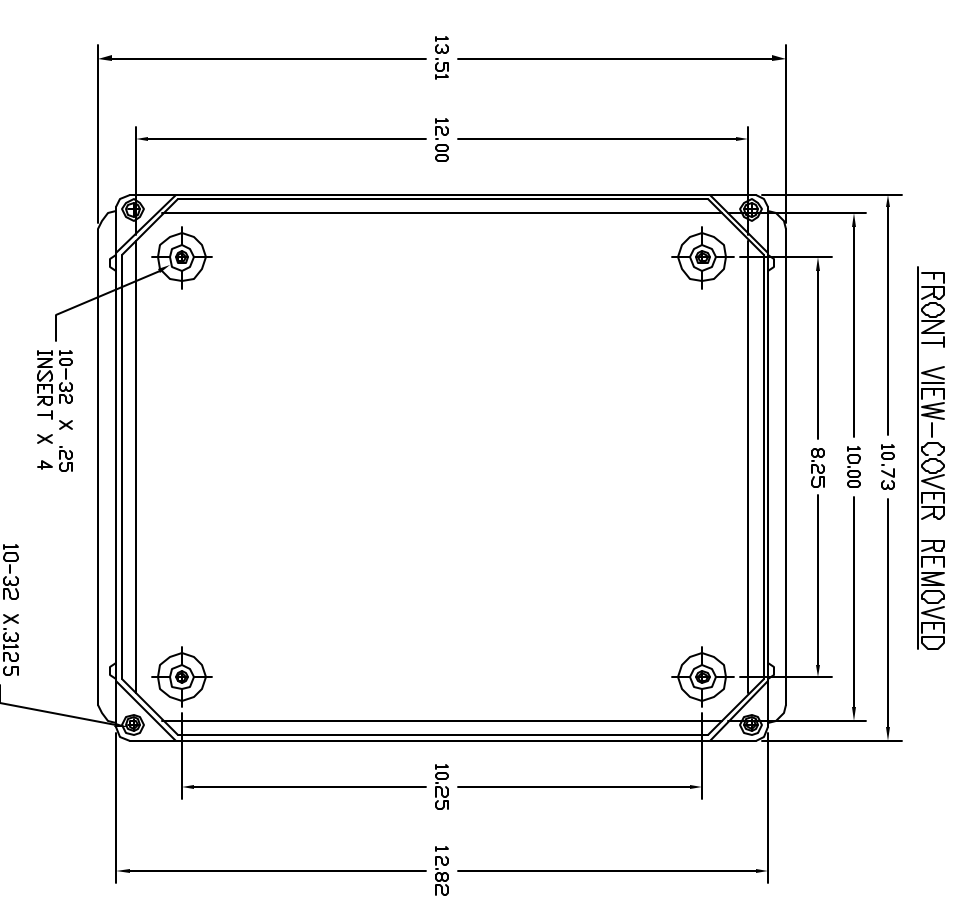


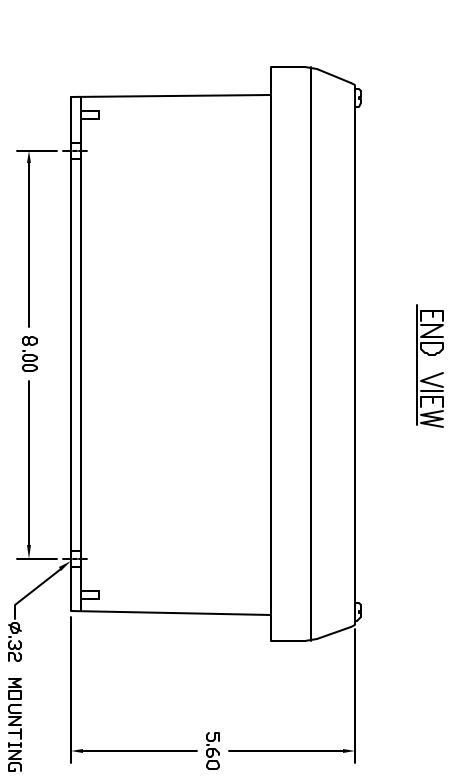
FRONT VIEW



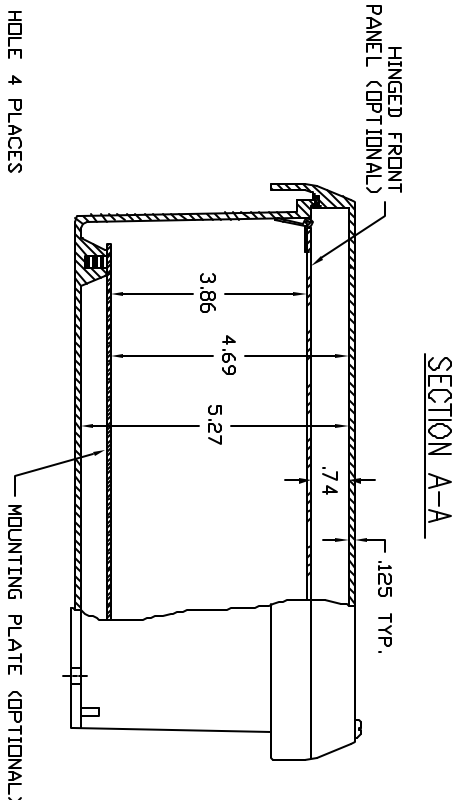
RIGHT SIDE VIEW



FRONT VIEW-COVER REMOVED



END VIEW



SECTION A-A

- NOTES:
1. ENCLOSURE MATERIAL MADE OF GRAY (RAL 7036) HOT MOLDED FIBERGLASS REINFORCED POLYESTER.
  2. UL, LISTED PER STD. 508, (FILE# E54315)
  3. CSA CERTIFIED PER STD. C22.2 NO. 94, (FILE# LR36508)
  4. NEMA RATED TYPE 3, 3R, 3S, 4, 4X, 12 AND 13.
  5. IEC 529 RATED IP 68.
  6. TEMPERATURE RANGES FROM -50 DEG C TO 150 DEG C.
  7. SELF EXTINGUISHING AND HALOGEN FREE.
  8. ACCESSORIES INCLUDE: BACK PANELS, DEAD FRONT PANELS, HINGED FRONT PLATES, HINGED COVERS, PRINT POCKETS, LATCHES, WINDOWS, AND VENTILATORS.
  9. CABINETS ARE MAINTENANCE FREE AND CORROSION RESISTANT.

THIS DRAWING IS THE PROPRIETARY AND CONFIDENTIAL PROPERTY OF WACKER ELECTRONIC SYSTEMS, AND SHALL NOT BE REPRODUCED OR DISCLOSED TO OTHERS WITHOUT THE WRITTEN PERMISSION OF WACKER ELECTRONIC SYSTEMS INC.

UNLESS OTHERWISE SPECIFIED, DIMENSIONS ARE IN INCHES			
X.XX ± .012 X.XXX ± .010 DO NOT SCALE DRAWING			
DRAWN	DATE	WACKER PART# VJ1210W	
CHECKED	DATE	ENCLOSURE SYSTEMS INC.	
DESIGN	DATE	SIZE	DWG NO.
		D	VJ1210W
		SCALE: FULL	SHEET
			REV 0