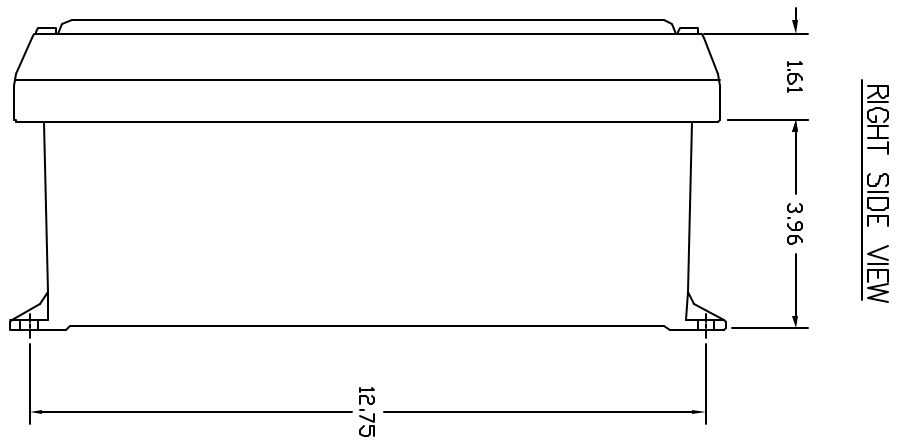
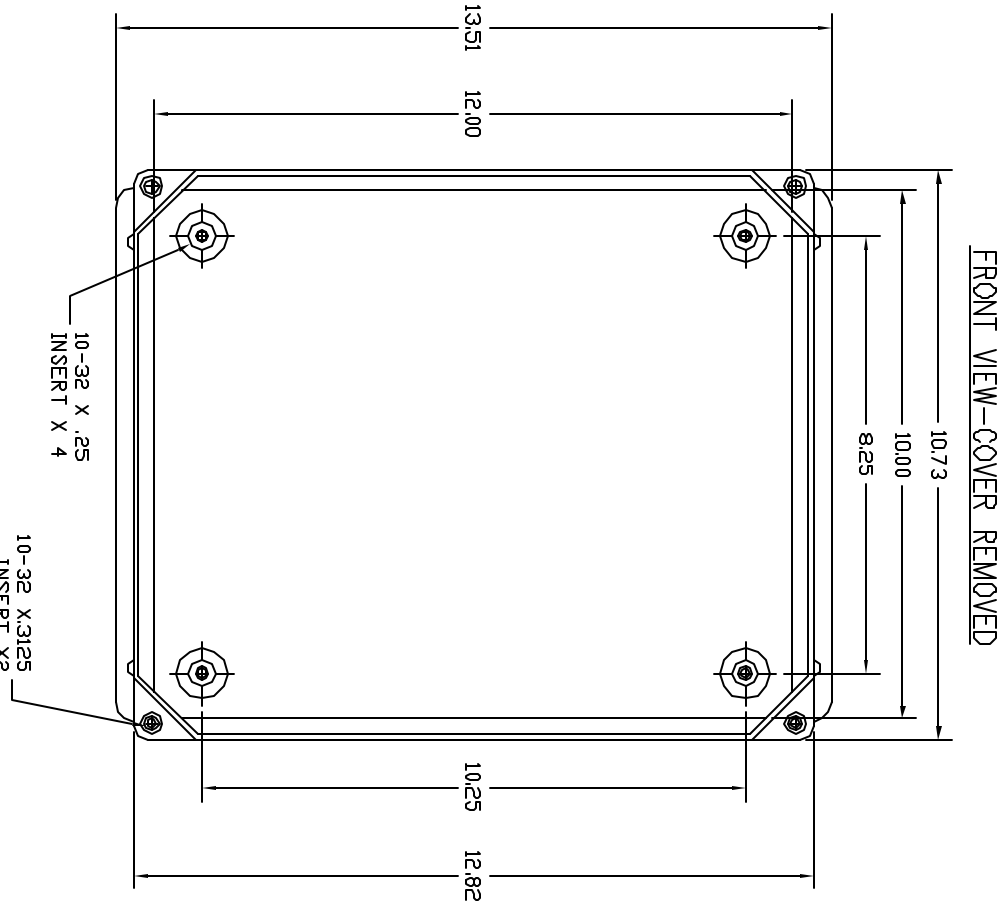


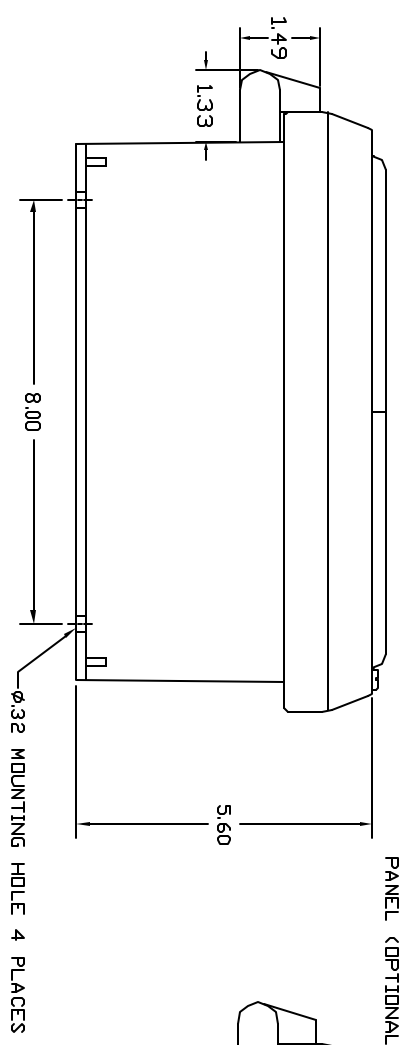
FRONT VIEW



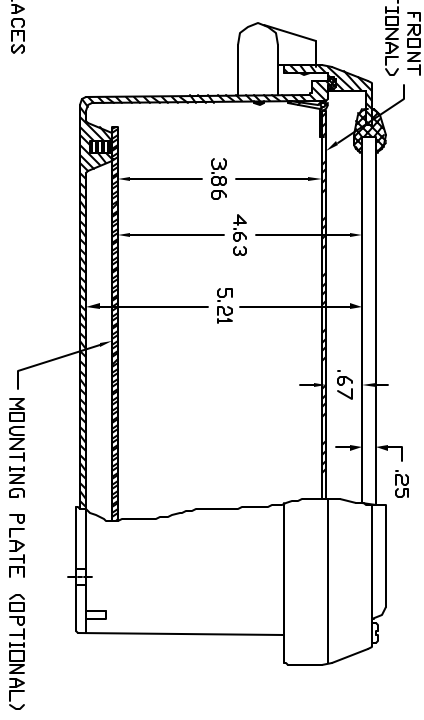
RIGHT SIDE VIEW



FRONT VIEW-COVER REMOVED



END VIEW



SECTION A-A

- NOTES:
1. ENCLOSURE MATERIAL MADE OF GRAY (RAL 7036) HOT MOLDED FIBERGLASS REINFORCED POLYESTER.
 2. U.L. LISTED PER STD. 508. (FILE# E54315)
 3. CSA CERTIFIED PER STD. C22.2 NO. 94. (FILE# LR36508)
 4. NEMA RATED TYPE 3, 3R, 3S, 4, 4X, 12 AND 13.
 5. IEC 529 RATED IP 68.
 6. TEMPERATURE RANGES FROM -50 DEG C TO 150 DEG C.
 7. SELF EXTINGUISHING AND HALOGEN FREE.
 8. ACCESSORIES INCLUDE: BACK PANELS, DEAD FRONT PANELS, HINGED FRONT PLATES, HINGED COVERS, PRINT POCKETS, LATCHES, WINDOWS, AND VENTILATORS.
 9. CABINETS ARE MAINTENANCE FREE AND CORROSION RESISTANT.

UNLESS OTHERWISE SPECIFIED, DIMENSIONS ARE IN INCHES DECIMALS			
XXX ± .02 XXX ± .010 DO NOT SCALE DRAWING			
DRAWN	DATE	WYNCKIER PART# VJG1210NHV	
CHECKED	DESIGN		
THIS DRAWING IS THE CONFIDENTIAL AND PROPRIETARY PROPERTY OF WYNCKIER ENCLOSURE SYSTEMS, AND SHALL NOT BE REPRODUCED OR DISCLOSED TO OTHERS EXCEPT BY EXPRESS WRITTEN PERMISSION OF WYNCKIER ENCLOSURE SYSTEMS INC.		DWG NO. VJG1210NHV	REV 0