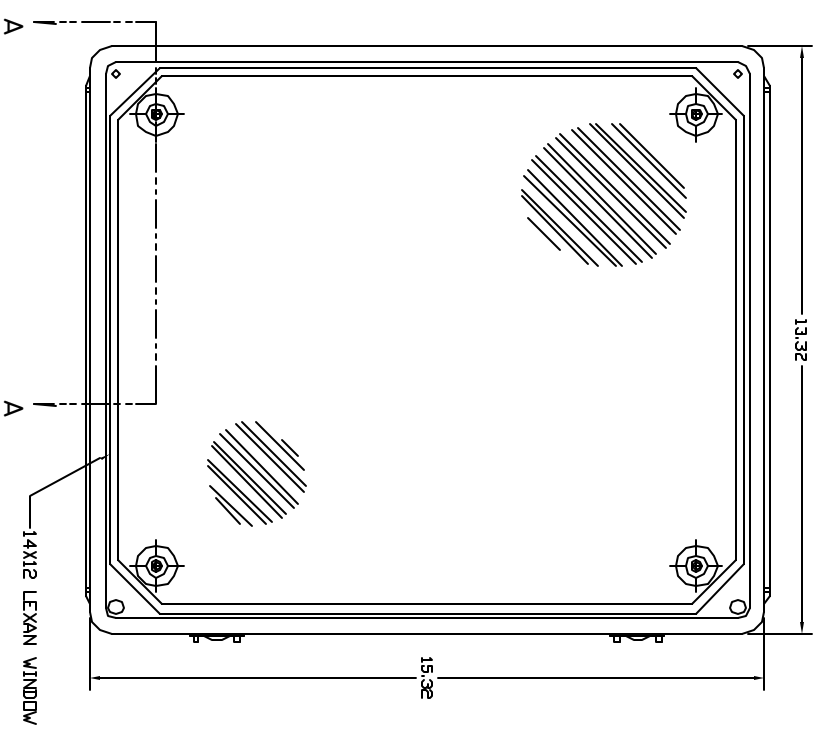
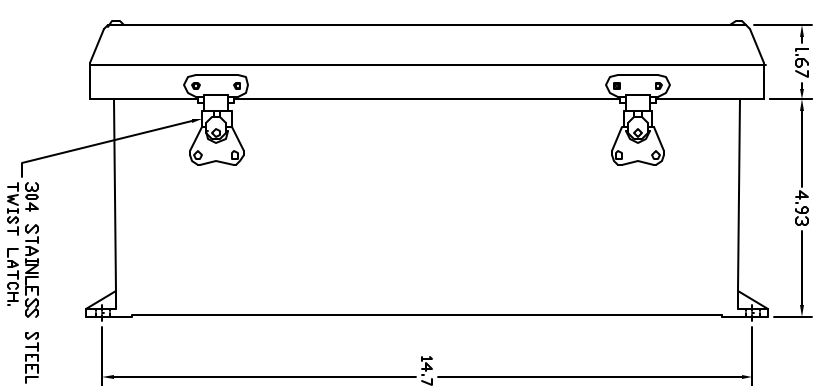


| REVISIONS | | | | |
|-----------|-----|-------------|------|----------|
| ZONE | REV | DESCRIPTION | DATE | APPROVED |
| | | | | |

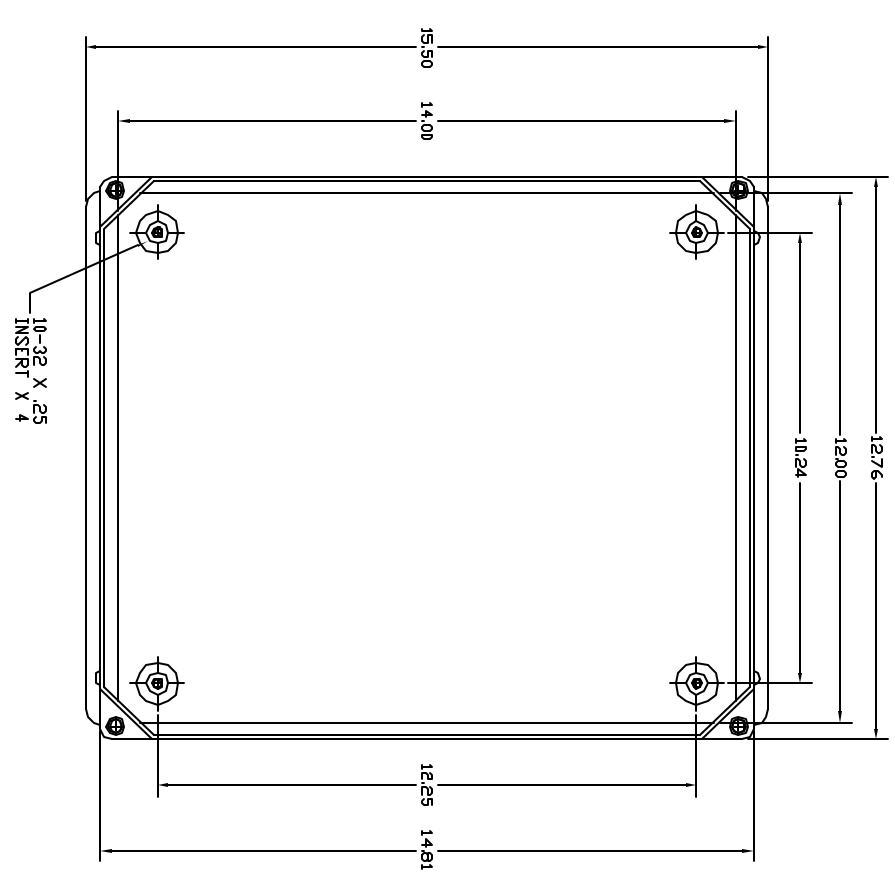
FRONT VIEW



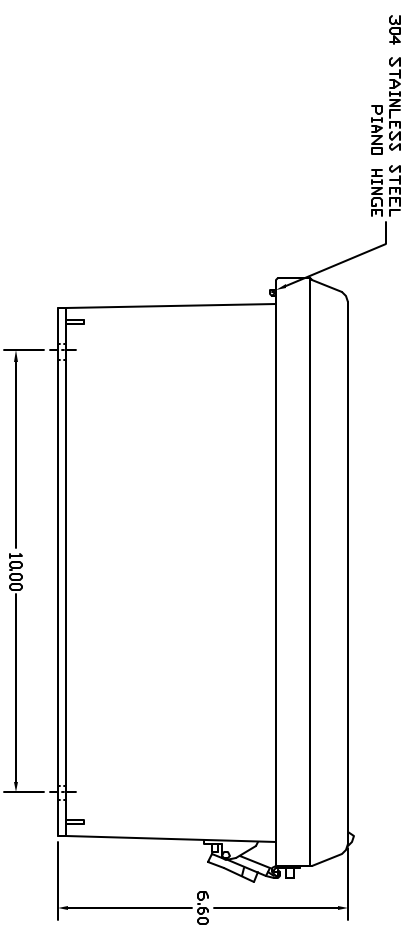
RIGHT SIDE VIEW



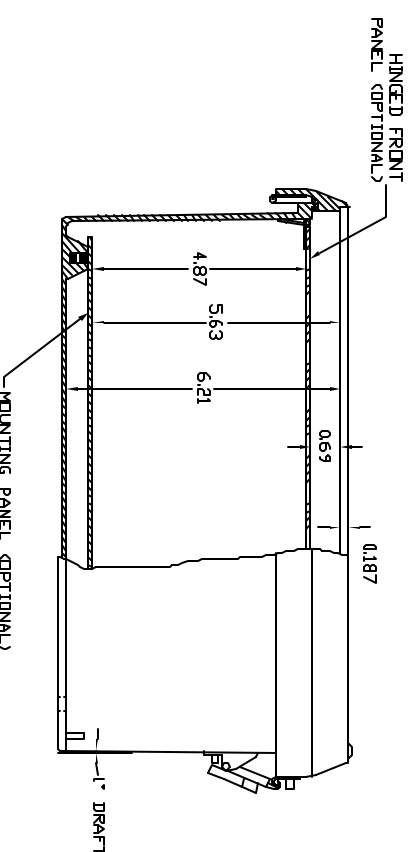
FRONT VIEW-COVER REMOVED



END VIEW



SECTION A-A



- NOTES:
1. ENCLOSURE MATERIAL MADE OF GRAY (RAL 7036) HOT MOLDED FIBERGLASS REINFORCED POLYESTER.
 2. U.L. LISTED PER STD. 508. (FILE# E54-315)
 3. CSA CERTIFIED PER STD. C22.2 NO. 94. (FILE# LR36508)
 4. NEMA RATED TYPE 3, 3R, 3S, 4, 4X, 12 AND 13.
 5. IEC 529 RATED IP 68.
 6. RESISTANT TO TEMPERATURES UP TO 150 DEG C.
 7. SELF EXTINGUISHING AND HALOGEN FREE.
 8. ACCESSORIES INCLUDE: BACK PANELS, HINGEABLE FRONT PLATES, HINGED COVERS, PRINT POCKET, LATCHES, WINDOWS, AND VENTILATORS.
 9. CABINETS ARE MAINTENANCE FREE AND CORROSION RESISTANT.

| | | | |
|---|------------------------|--|-----------------|
| UNLESS OTHERWISE SPECIFIED DIMENSIONS ARE IN INCHES | | VYNCKIER ENCLOSURE SYSTEMS LTD. | |
| DESIGNED BY DESIKAS 099 | DRAWN KEITH CHAPMAN | DATE 2/11/01 | SCALE FULL |
| TOLERANCES X .005 ± .010 DO NOT SCALE DRAWINGS | CHECKED DATE | SIZE FPCOM NDL | SHEET 1 OF 1 |
| THE DRAWING IS THE PROPERTY OF VYNCKIER ENCLOSURE SYSTEMS LTD. IT IS TO BE USED ONLY FOR THE PROJECT AND SHALL NOT BE REPRODUCED OR TRANSMITTED IN ANY FORM OR BY ANY MEANS WITHOUT WRITTEN PERMISSION FROM VYNCKIER ENCLOSURE SYSTEMS LTD. | | VYNCKIER PART # CVJ1412HWLL2 | |
| REV 0 | | EVSJ1412HWLL2 | |