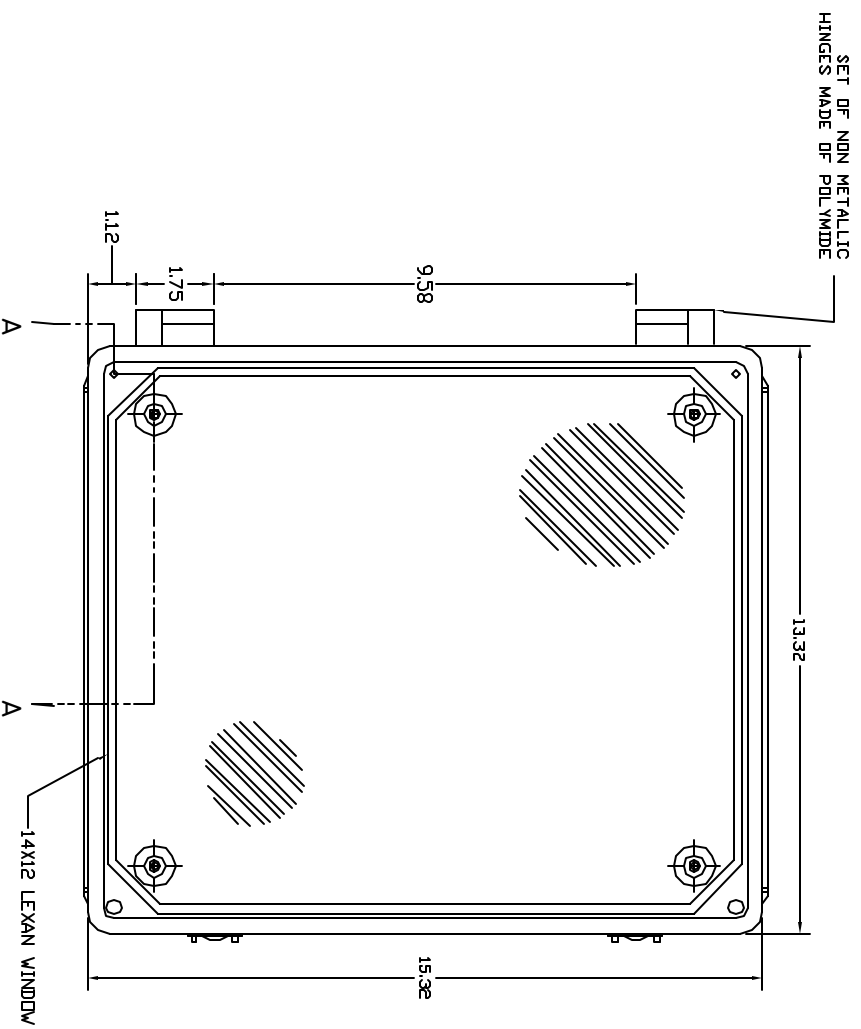
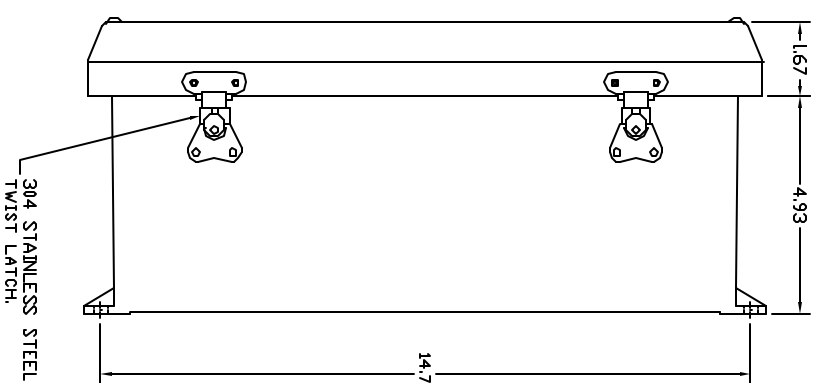


REVISIONS				
ZONE	REV	DESCRIPTION	DATE	APPROVED

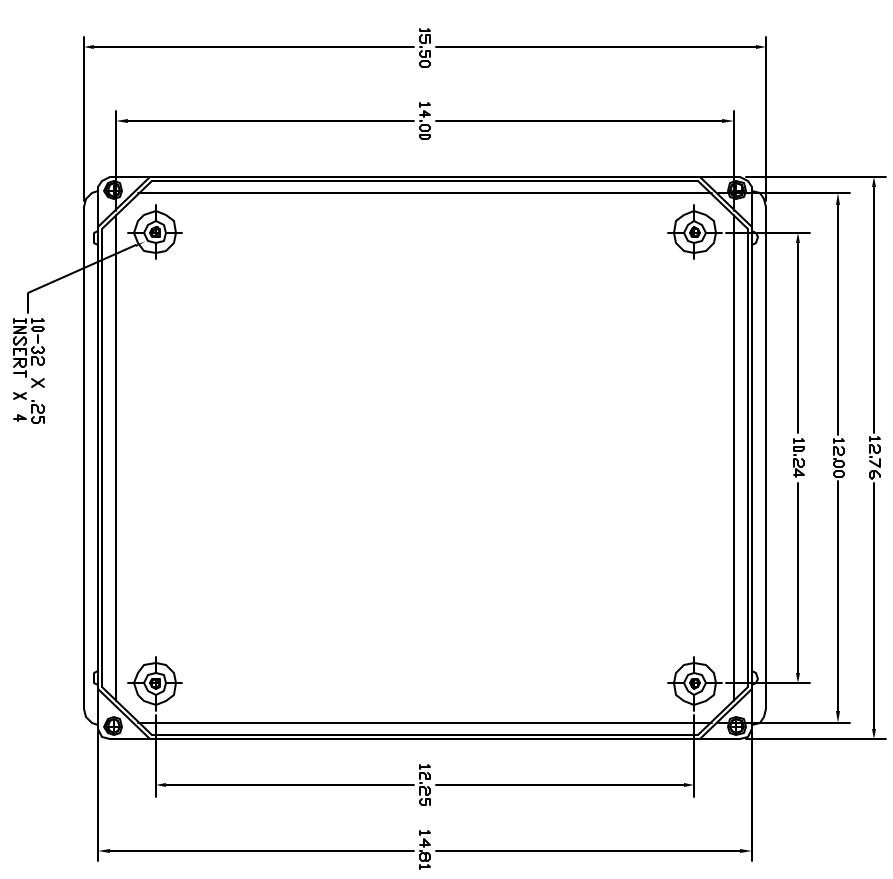
FRONT VIEW



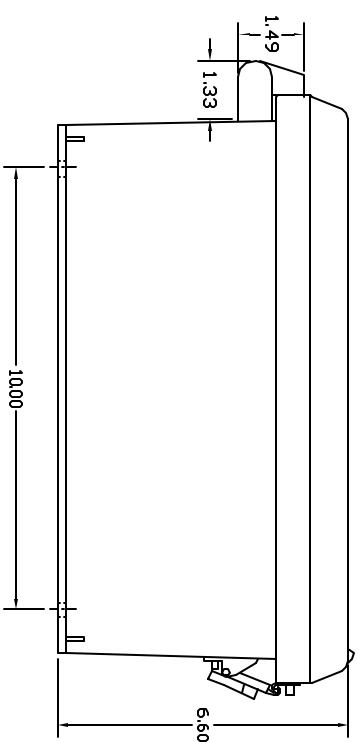
RIGHT SIDE VIEW



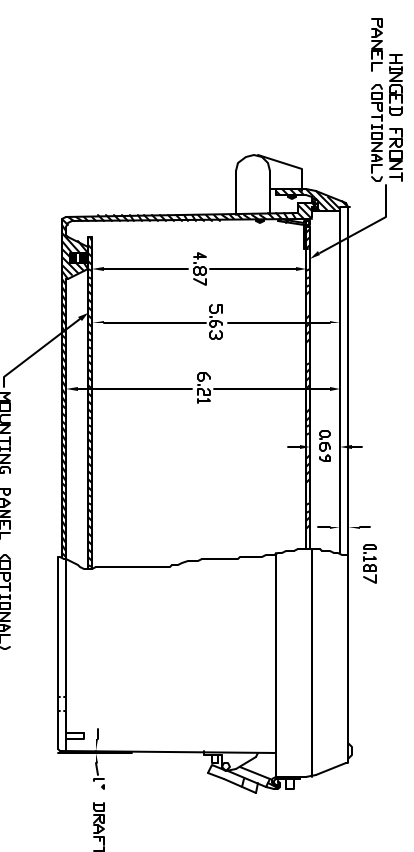
FRONT VIEW—COVER REMOVED



END VIEW



SECTION A-A



- NOTES:
1. ENCLOSURE MATERIAL MADE OF GRAY (RAL 7036) HOT MOLDED FIBERGLASS REINFORCED POLYESTER.
  2. U.L. LISTED PER STD. 508. (FILE# ES4-315)
  3. CSA CERTIFIED PER STD. C22.2 NO. 94. (FILE# LR36508)
  4. NEMA RATED TYPE 3, 3R, 3S, 4, 4X, 12 AND 13.
  5. IEC 529 RATED IP 68.
  6. RESISTANT TO TEMPERATURES UP TO 150 DEG C.
  7. SELF EXTINGUISHING AND HALOGEN FREE.
  8. ACCESSORIES INCLUDING: BACK PANELS, HINGEABLE FRONT PLATES, HINGED COVERS, PRINT POCKET, LATCHES, WINDOWS, AND VENTILATORS.
  9. CABINETS ARE MAINTENANCE FREE AND CORROSION RESISTANT.

UNLESS OTHERWISE SPECIFIED DIMENSIONS ARE IN INCHES		UNLESS OTHERWISE SPECIFIED DIMENSIONS ARE IN MILLIMETERS	
DIMENSIONS ARE TO CENTER UNLESS NOTED OTHERWISE		DIMENSIONS ARE TO CENTER UNLESS NOTED OTHERWISE	
TOLERANCES UNLESS OTHERWISE SPECIFIED		TOLERANCES UNLESS OTHERWISE SPECIFIED	
FRACTIONS ± .005		DECIMALS ± .005	
ANGLES ± .010		ANGLES ± .010	
DO NOT SCALE DRAWINGS		DO NOT SCALE DRAWINGS	
THE DRAWING IS THE PROPERTY OF WYCKLER ENCLOSURE SYSTEMS LTD. IT IS TO BE USED ONLY FOR THE PROJECT AND SHALL NOT BE REPRODUCED OR TRANSMITTED IN ANY FORM OR BY ANY MEANS WITHOUT WRITTEN PERMISSION FROM WYCKLER ENCLOSURE SYSTEMS INC.			
DESIGN	DATE	SCALE	SHEET
DESIGN	2/7/11/01	D	1 OF 1
WYCKLER ENCLOSURE SYSTEMS LTD.	WYCKLER PART# CVJ1412NHVLL2	EVJ1412NHVLL2	REV 0