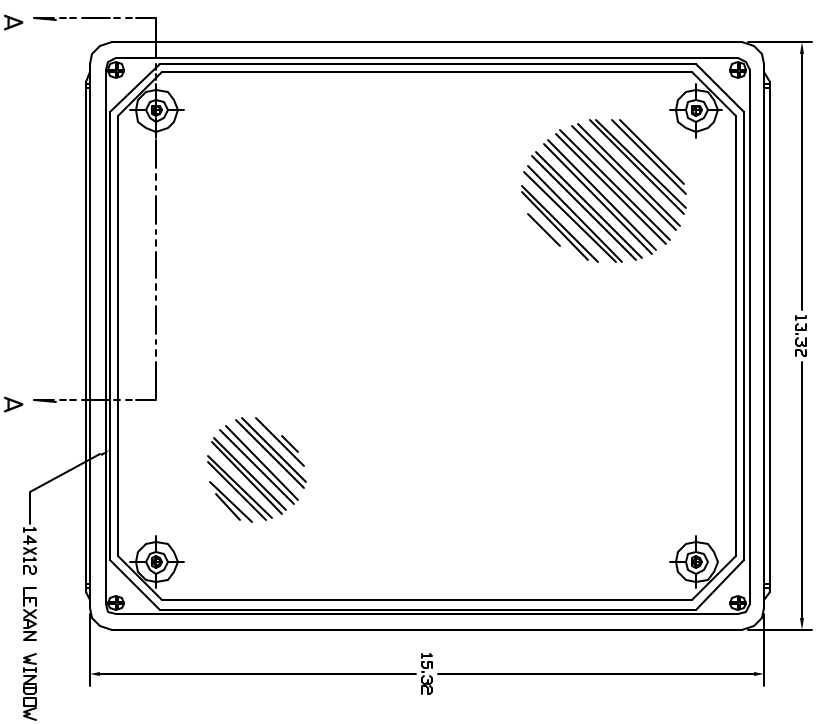
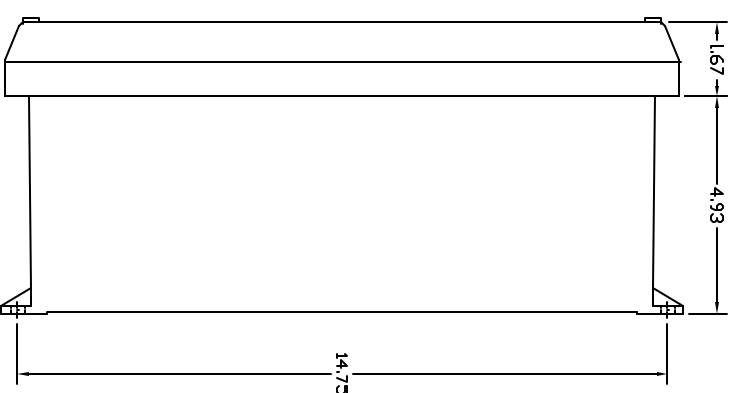


REVISIONS				
ZONE	REV	DESCRIPTION	DATE	APPROVED

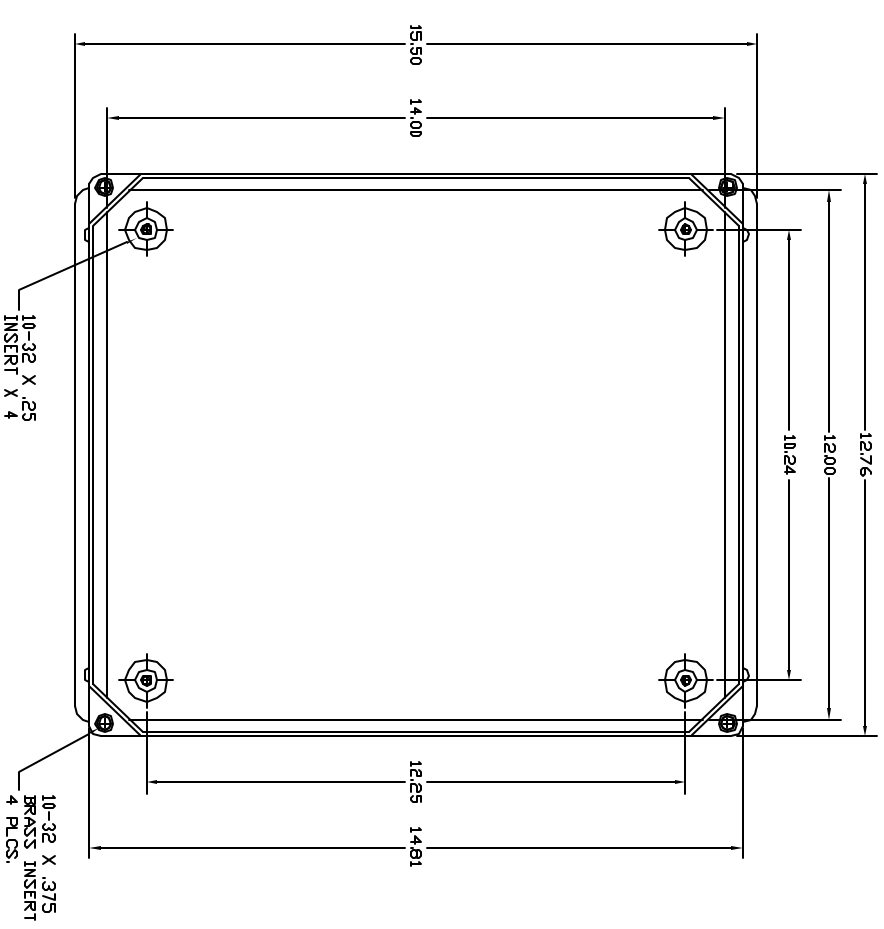
FRONT VIEW



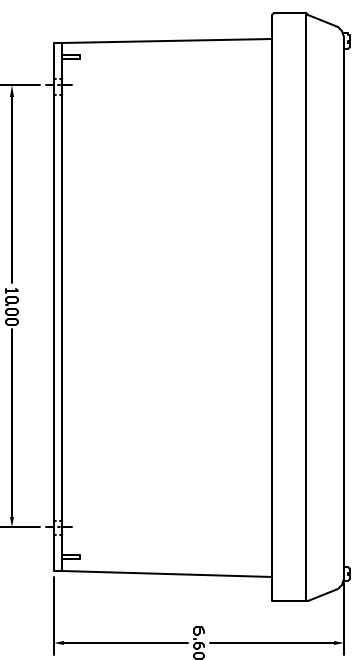
RIGHT SIDE VIEW



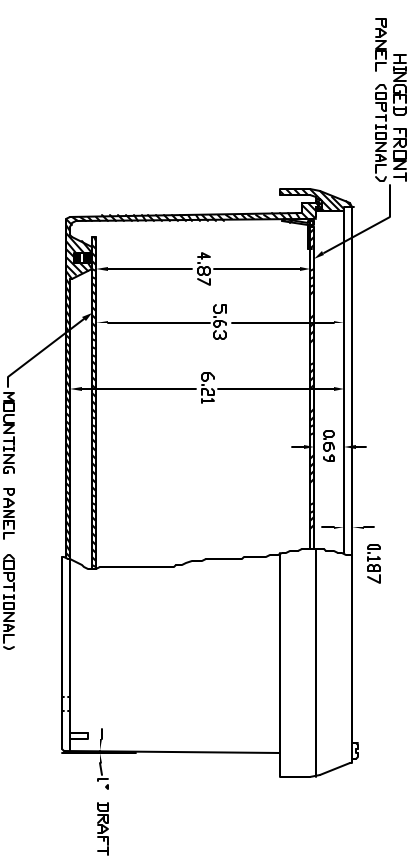
FRONT VIEW—COVER REMOVED



END VIEW



SECTION A-A



- NOTES:
1. ENCLOSURE MATERIAL MADE OF GRAY (RAL 7036) HOT MOLDED FIBERGLASS REINFORCED POLYESTER.
 2. U.L. LISTED PER STD. 508, FILE# E54-315)
 3. CSA CERTIFIED PER STD. C22.2 NO. 94, FILE# LR36508)
 4. NEMA RATED TYPE 3, 3R, 3S, 4, 4X, 12 AND 13.
 5. IEC 529 RATED IP 68.
 6. RESISTANT TO TEMPERATURES UP TO 150 DEG C.
 7. SELF EXTINGUISHING AND HALOGEN FREE.
 8. ACCESSORIES INCLUDING: BACK PANELS, HINGEABLE FRONT PLATES, HINGED COVERS, PRINT POCKET, LATCHES, WINDOWS, AND VENTILATORS.
 9. CABINETS ARE MAINTENANCE FREE AND CORROSION RESISTANT.

UNLESS OTHERWISE SPECIFIED DIMENSIONS ARE IN INCHES		UNCKIER ENCLOSURE SYSTEMS LTD.	
TOLERANCES UNLESS OTHERWISE SPECIFIED		WJ SERIES ENCLOSURE	
FRACTIONS .005, .010, .015, .030, .060, .125, .250, .500, 1.000, 2.000, 5.000, 10.000		UNCKIER PART# CVJ1412W	
DO NOT SCALE DRAWINGS		ENCLOSURE SYSTEMS LTD.	
DRAWN	DATE	SIZE	REV
KEITH CHAPMAN	2/11/01	D	0
CHECKED		DWG NO.	
DESIGN		EVJ1412W	
SCALE: FULL		SHEET 1 OF 1	