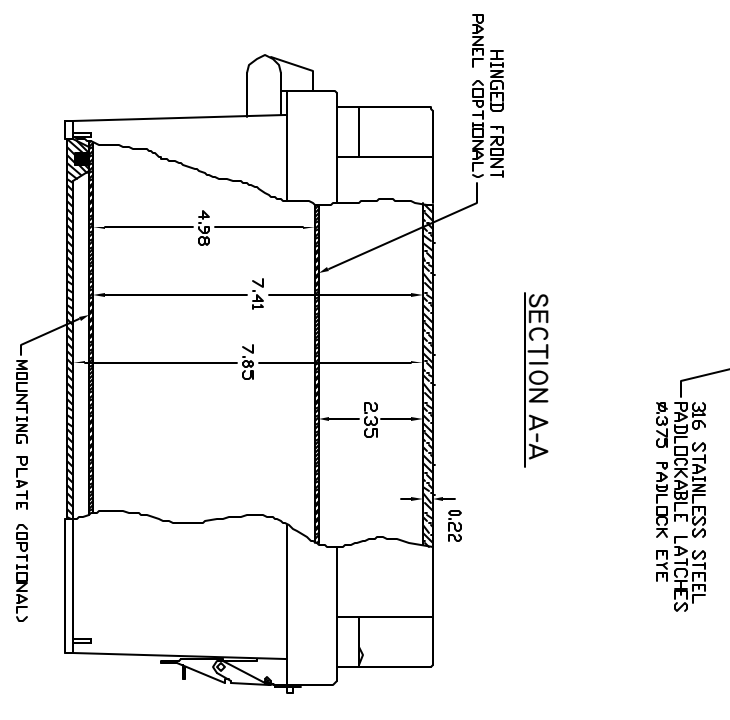
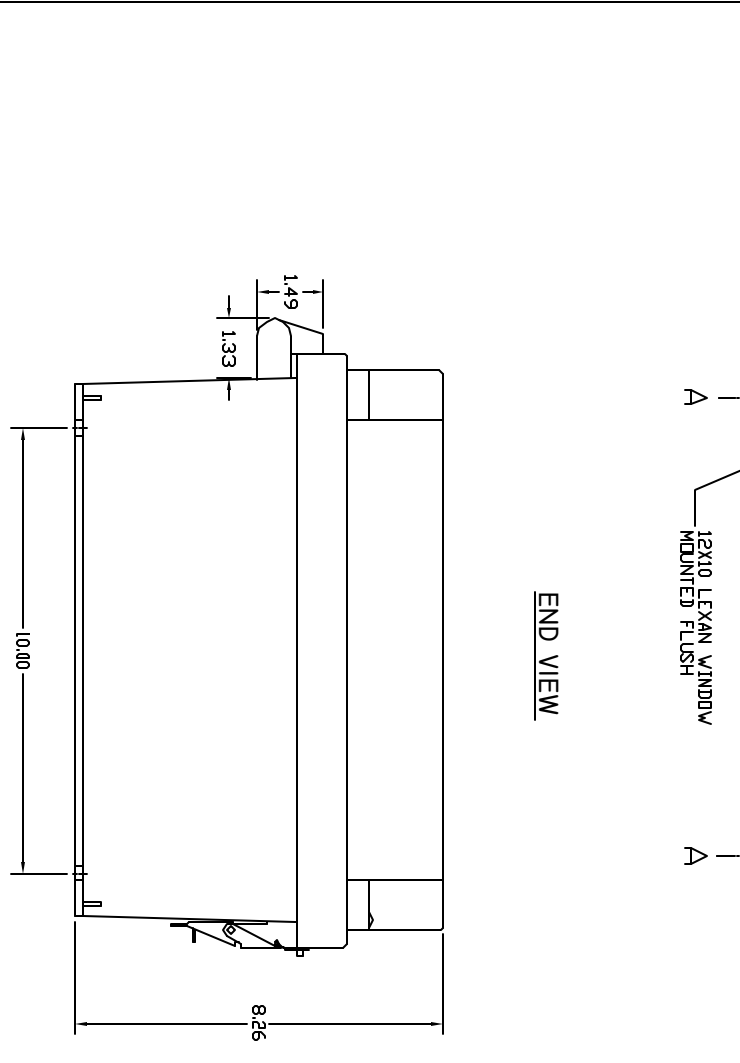
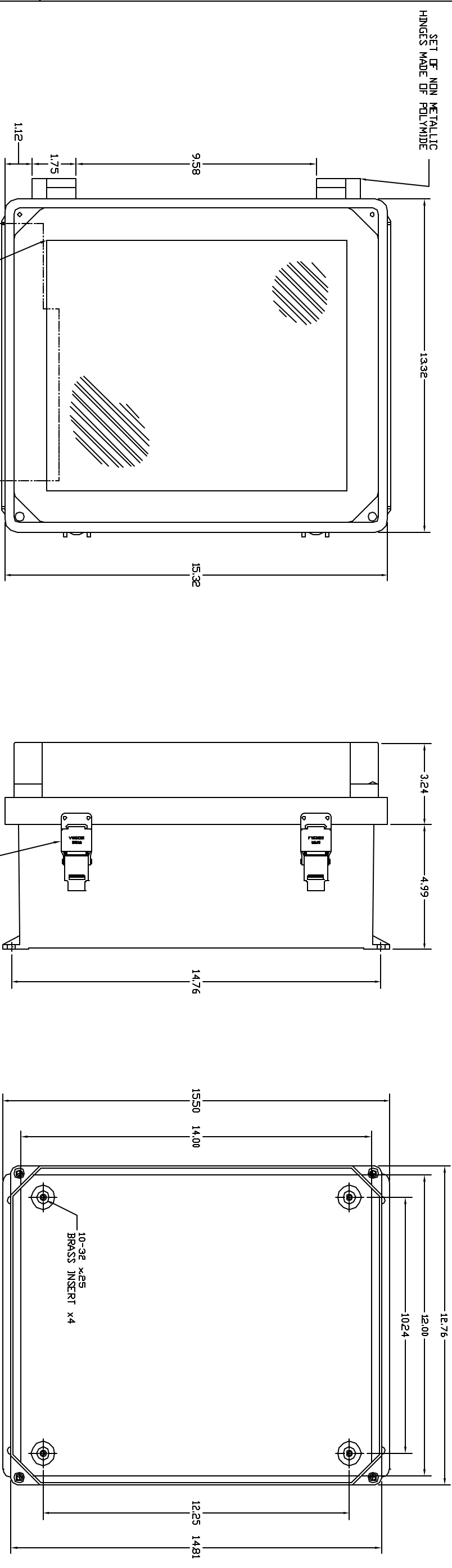


REVISIONS				
ZONE	REV	DESCRIPTION	DATE	APPROVED

FRONT VIEW-COVER REMOVED



- NOTES:
1. ENCLOSURE MATERIAL MADE OF GRAY (RAL 7036) HOT MOLDED FIBERGLASS REINFORCED POLYESTER.
 2. UL LISTED PER STD. 508. (FILE# ES4315)
 3. CSA CERTIFIED PER STD. C22.2 NO. 94. (FILE# LR36508)
 4. NEMA RATED TYPE 3, 3R, 3S, 4, 4X, 12 AND 13.
 5. IEC 529 RATED IP 68.
 6. RESISTANT TO TEMPERATURES UP TO 150 DEG C.
 7. SELF EXTINGUISHING AND HALOGEN FREE.
 8. ACCESSORIES INCLUDE: BACK PANELS, HINGEABLE FRONT PLATES, HINGED COVERS, PRINT POCKET, LATCHES, WINDOWS, AND VENTILATORS.
 9. CABINETS ARE MAINTENANCE FREE AND CORROSION RESISTANT.

UNLESS OTHERWISE SPECIFIED DIMENSIONS ARE IN INCHES DECIMALS .0005 ± .0015 FRACTIONS 1/16 ± .010 DO NOT SCALE DRAWINGS		VYNCKIER ENCLOSURE SYSTEMS LTD. VJ SERIES ENCLOSURE VYNCKIER PART# RVJB1412NHV/PL2	
DRAWN KEITH CHAPMAN	DATE 02/22/04	SIZE FSCM NDL	DWG NO. RVJB1412NHV/PL2
CHECKED DESIGN		SCALE FULL	SHEET 1 OF 1

THE DIMENSIONS OF THE ENCLOSURE AND ACCESSORIES ARE SUBJECT TO CHANGE WITHOUT NOTICE AND SHALL BE THE PROPERTY OF VYNCKIER SYSTEMS INC.