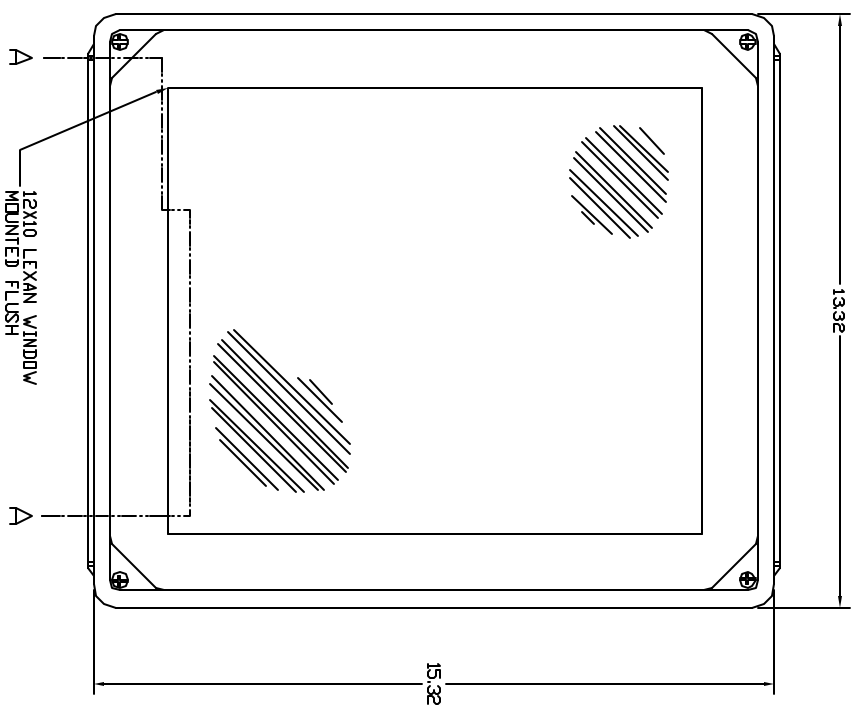


REVISIONS				
ZONE	REV	DESCRIPTION	DATE	APPROVED

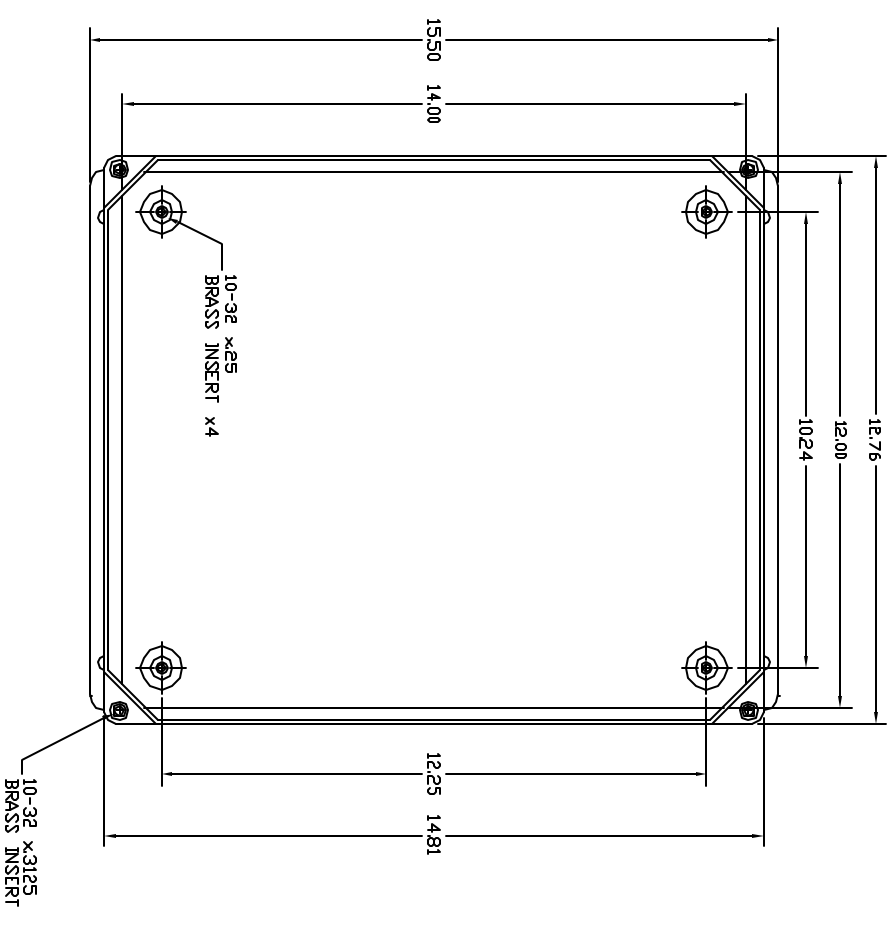
FRONT VIEW



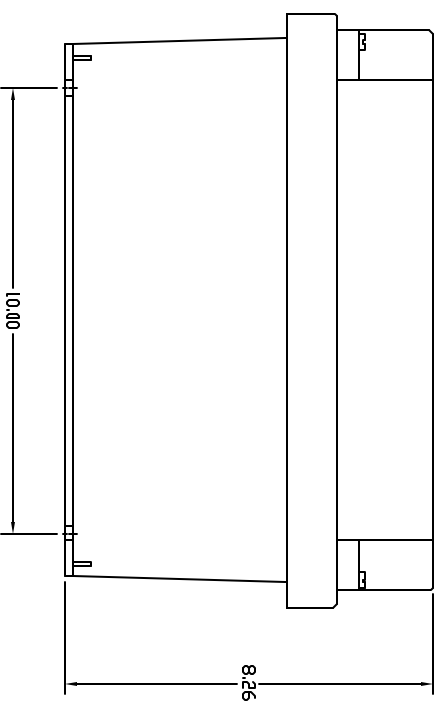
RIGHT SIDE VIEW



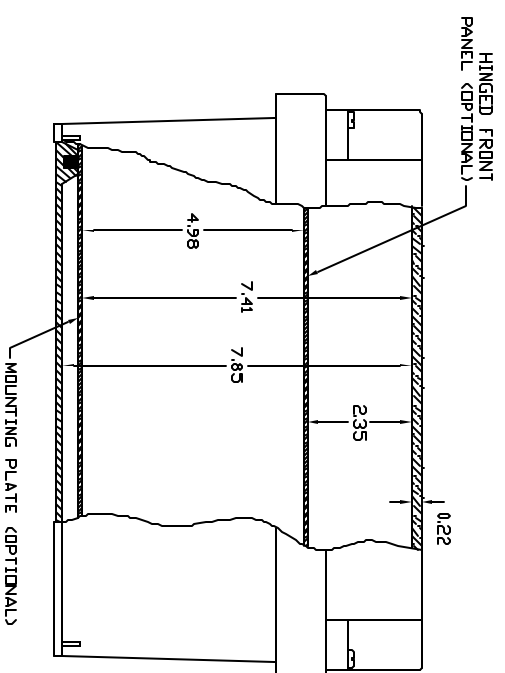
FRONT VIEW-COVER REMOVED



END VIEW



SECTION A-A



- NOTES:
1. ENCLOSURE MATERIAL MADE OF GRAY (RAL 7036) HOT MOLDED FIBERGLASS REINFORCED POLYESTER.
 2. UL LISTED PER STD. 508. (FILE# ES4315)
 3. CSA CERTIFIED PER STD. C22.2 NO. 94. (FILE# LR36508)
 4. NEMA RATED TYPE 3, 3R, 3S, 4, 4X, 12 AND 13.
 5. IEC 529 RATED IP 68.
 6. RESISTANT TO TEMPERATURES UP TO 150 DEG C.
 7. SELF EXTINGUISHING AND HALOGEN FREE.
 8. ACCESSORIES INCLUDE: BACK PANELS, HINGEABLE FRONT PLATES, HINGED COVERS, PRINT POCKET, LATCHES, WINDOWS, AND VENTILATORS.
 9. CABINETS ARE MAINTENANCE FREE AND CORROSION RESISTANT.

UNLESS OTHERWISE SPECIFIED DIMENSIONS ARE IN INCHES DECIMALS .0005 ± .0005 .010 ± .010 DO NOT SCALE DRAWINGS		VYNCKIER ENCLOSURE SYSTEMS LTD. VJ SERIES ENCLOSURE VYNCKIER PART# RVJBL12W	
DRAWN KEITH CHAPMAN	DATE 02/22/04	SIZE D	SHEET 1 OF 1
CHECKED KEITH CHAPMAN	DATE 02/22/04	PGM NO. RVJBL12W	REV
DESIGN	SCALE FULL	SHEET 1 OF 1	REV

THE DIMENSIONS OF THE COVER AND
 ENCLOSURE ARE SUBJECT TO CHANGE
 WITHOUT NOTICE AND SHALL BE
 THE PROPERTY OF VYNCKIER SYSTEMS LTD.
 VYNCKIER SYSTEMS LTD.