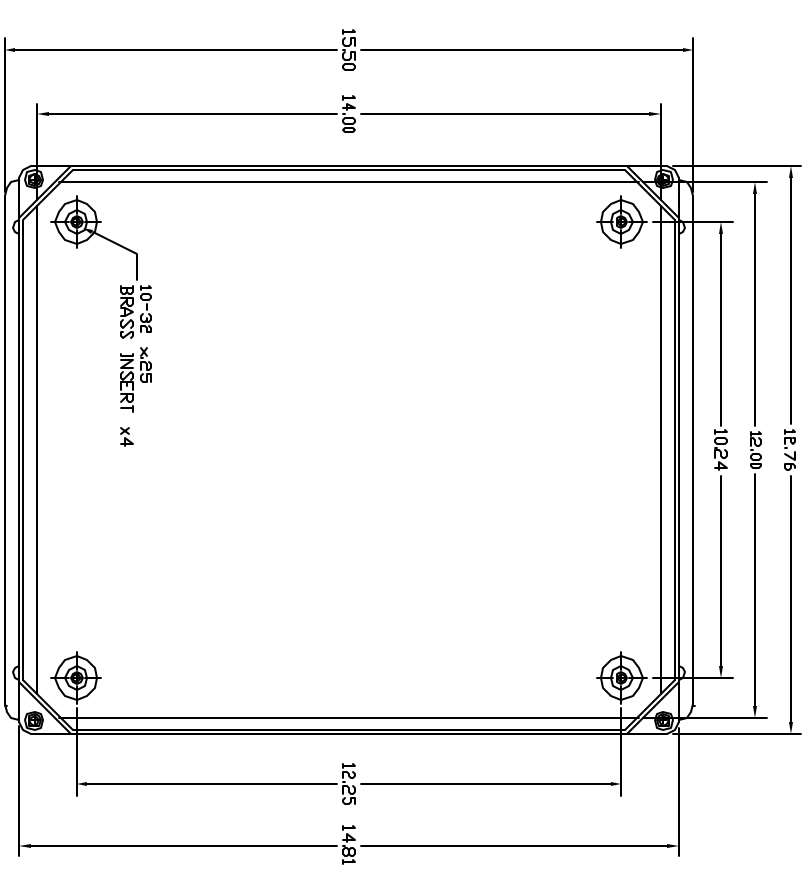
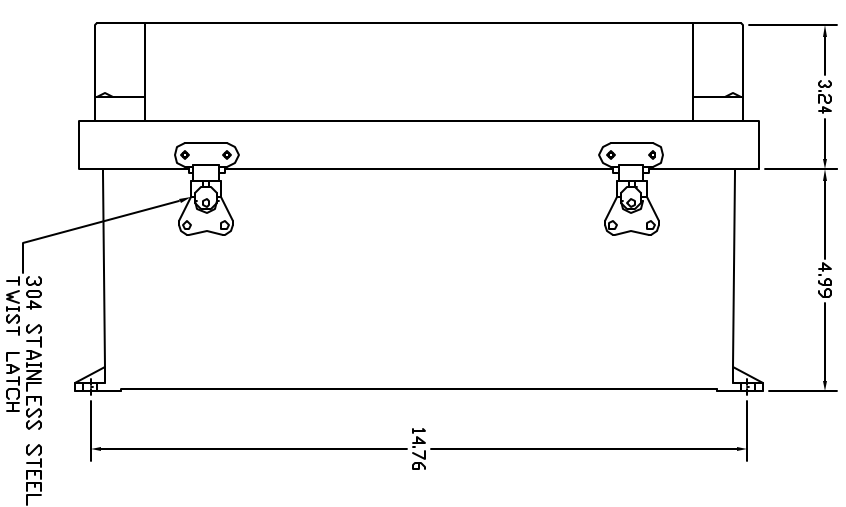


REVISIONS				
ZONE	REV	DESCRIPTION	DATE	APPROVED

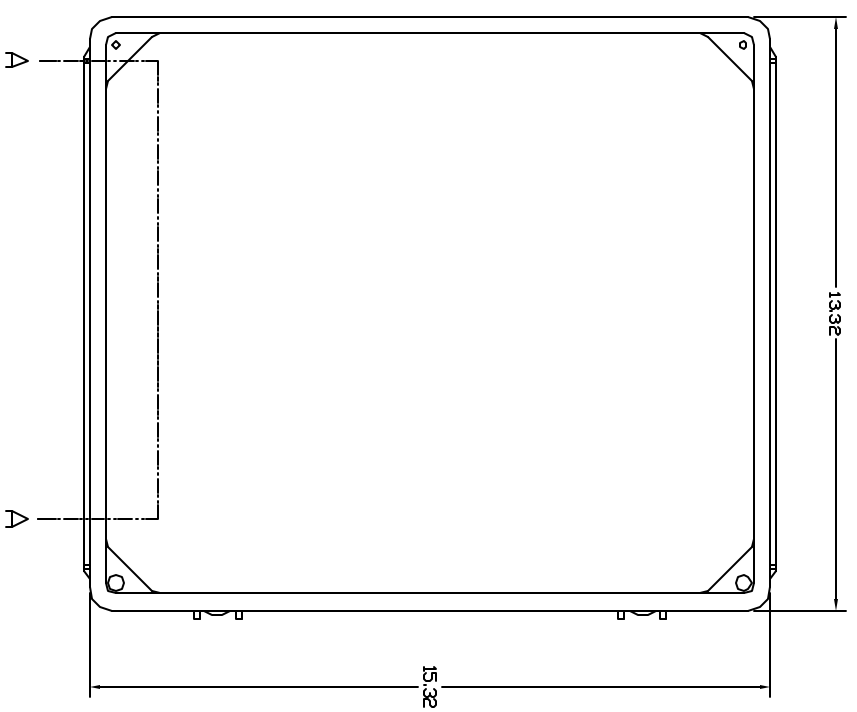
FRONT VIEW - COVER REMOVED



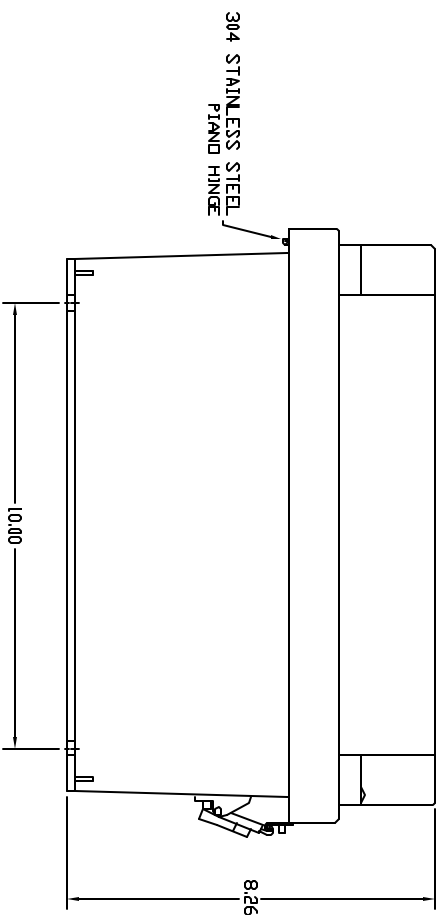
RIGHT SIDE VIEW



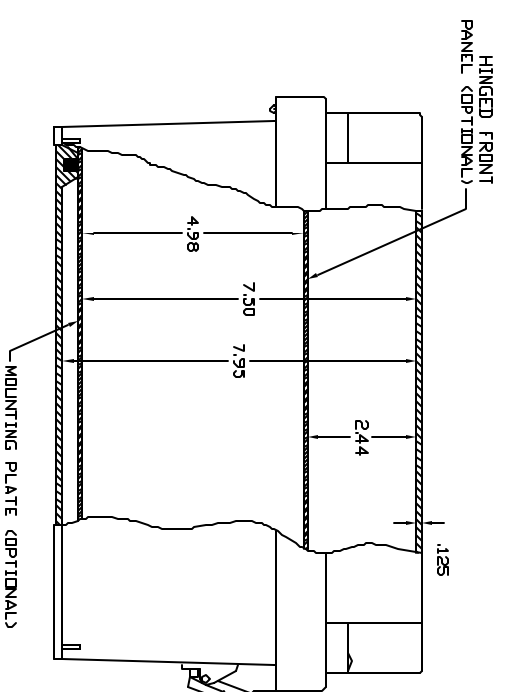
FRONT VIEW



END VIEW



SECTION A-A



- NOTES:
1. ENCLOSURE MATERIAL MADE OF GRAY (RAL 7036) HOT MOLDED FIBERGLASS REINFORCED POLYESTER.
 2. UL LISTED PER STD. 508. (FILE# ES4315)
 3. CSA CERTIFIED PER STD. C22.2 NO. 94. (FILE# LR36508)
 4. NEMA RATED TYPE 3, 3R, 3S, 4, 4X, 12 AND 13.
 5. IEC 529 RATED IP 68.
 6. RESISTANT TO TEMPERATURES UP TO 150 DEG C.
 7. SELF EXTINGUISHING AND HALOGEN FREE.
 8. ACCESSORIES INCLUDE: BACK PANELS, HINGEABLE FRONT PLATES, HINGED COVERS, PRINT POCKET, LATCHES, WINDOWS, AND VENTILATORS.
 9. CABINETS ARE MAINTENANCE FREE AND CORROSION RESISTANT.

UNLESS OTHERWISE SPECIFIED DIMENSIONS ARE IN INCHES DECIMALS .1XX ± .010 .XX ± .010 DO NOT SCALE DRAWING		WNCICKER ENCLOSURE SYSTEMS LTD. VJ SERIES ENCLOSURE WNCICKER PART# RVJ1412HWLL2	
DRAWN KEITH CHAPMAN	DATE 02/22/04	SIZE D	SHEET 1 OF 1
CHECKED DESIGN	DATE	PGM NO. RVJ1412HWLL2	REV

THE DIMENSIONS OF THE COVER AND
 ACCESSORIES ARE NOT TO SCALE
 UNLESS OTHERWISE SPECIFIED
 WNCICKER ENCLOSURE SYSTEMS LTD.