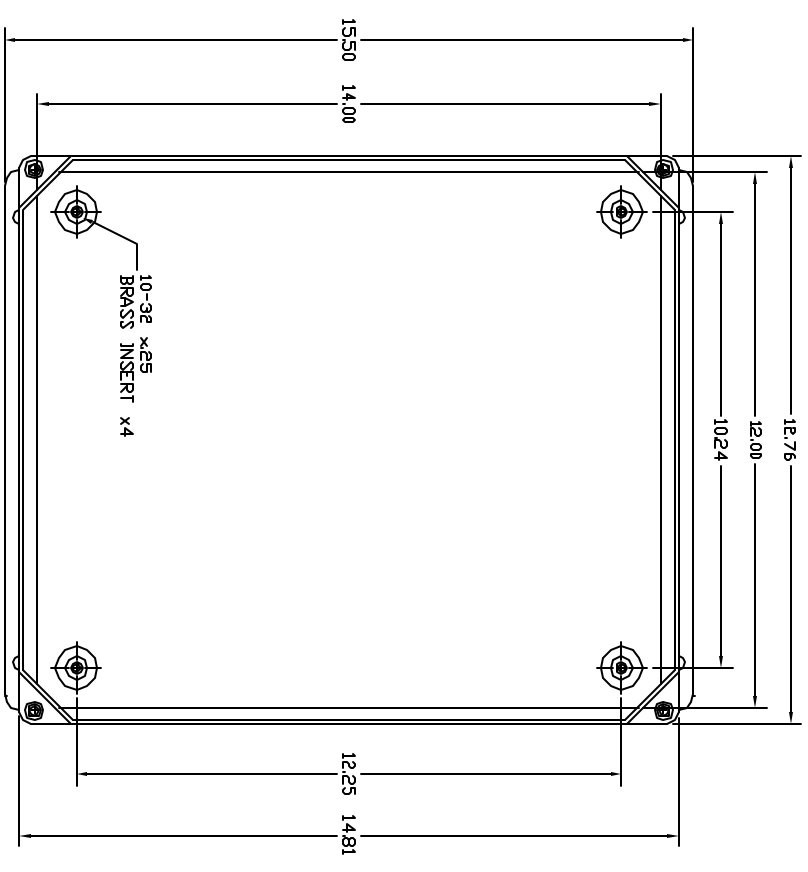
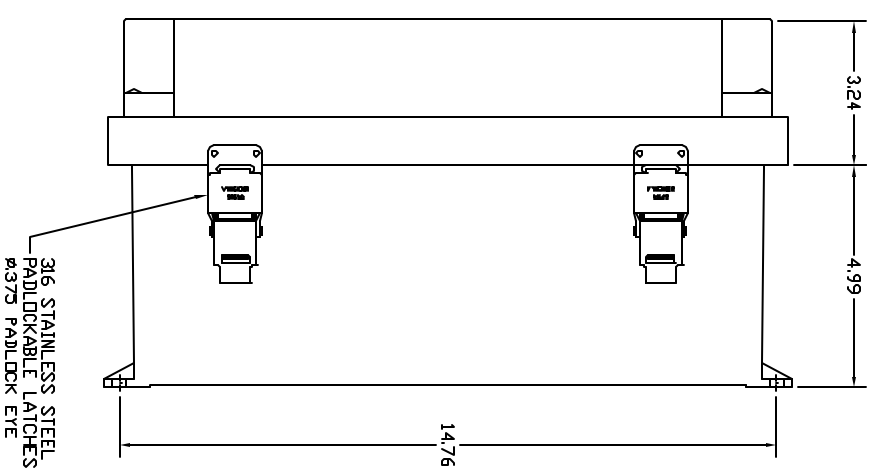


REVISIONS				
ZONE	REV	DESCRIPTION	DATE	APPROVED

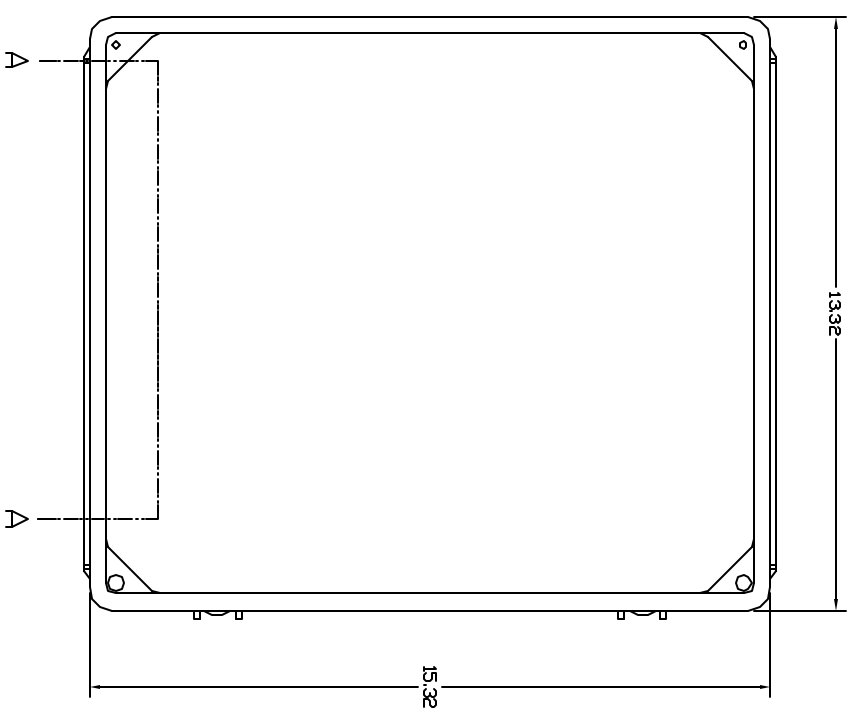
FRONT VIEW - COVER REMOVED



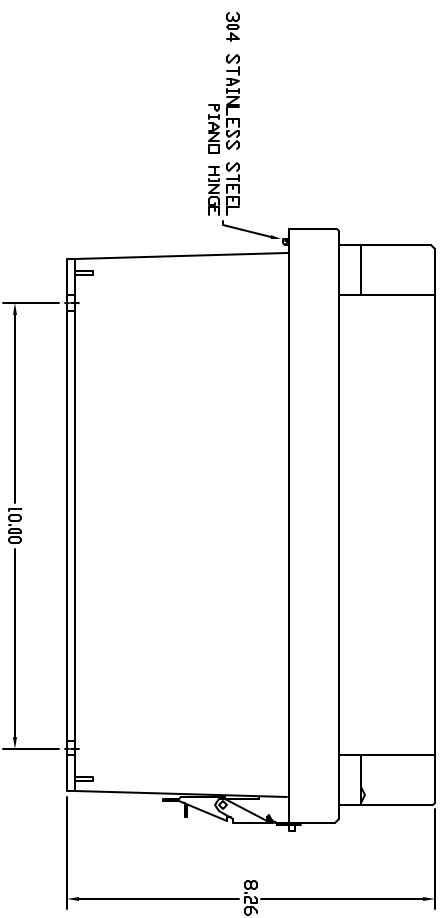
RIGHT SIDE VIEW



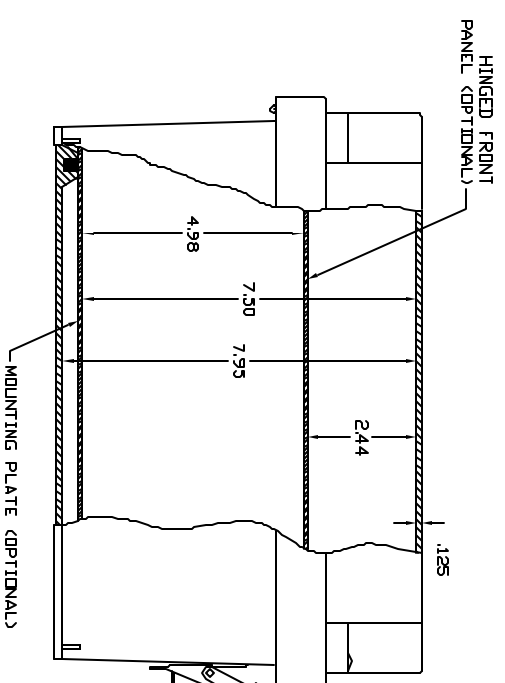
FRONT VIEW



END VIEW



SECTION A-A



- NOTES:
1. ENCLOSURE MATERIAL MADE OF GRAY (RAL 7036) HOT MOLDED FIBERGLASS REINFORCED POLYESTER.
 2. UL LISTED PER STD. 508. (FILE# ES4315)
 3. CSA CERTIFIED PER STD. C22.2 NO. 94. (FILE# LR36508)
 4. NEMA RATED TYPE 3, 3R, 3S, 4, 4X, 12 AND 13.
 5. IEC 529 RATED IP 68.
 6. RESISTANT TO TEMPERATURES UP TO 150 DEG C.
 7. SELF EXTINGUISHING AND HALOGEN FREE.
 8. ACCESSORIES INCLUDE: BACK PANELS, HINGEABLE FRONT PLATES, HINGED COVERS, PRINT POCKET, LATCHES, WINDOWS, AND VENTILATORS.
 9. CABINETS ARE MAINTENANCE FREE AND CORROSION RESISTANT.

UNLESS OTHERWISE SPECIFIED DIMENSIONS ARE IN INCHES DECIMALS .0005 .0008 ± .0015 .010 ± .010 DO NOT SCALE DRAWING		WNCICKER ENCLOSURE SYSTEMS LTD. VJ SERIES ENCLOSURE WNCICKER PART# RVJ1412HWPL2	
DRAWN KEITH CHAPMAN	DATE 02/22/04	SIZE F30X N2	DWG NO. RVJ1412HWPL2
CHECKED DESIGN	SCALE FULL	SHEET 1 OF 1	REV

THE DIMENSIONS OF THE COVER AND THE ENCLOSURE ARE NOT TO BE INTERFERED BY THE COVER OR THE ENCLOSURE. THE COVER AND THE ENCLOSURE SHALL BE THE PROPERTY OF WNCICKER SYSTEMS LTD.