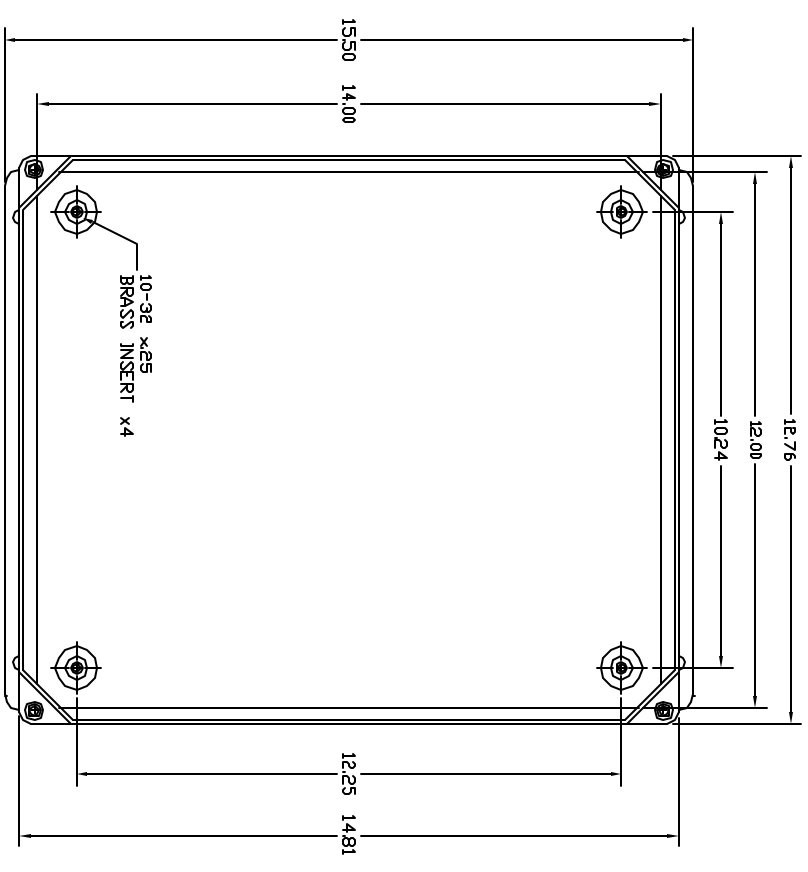
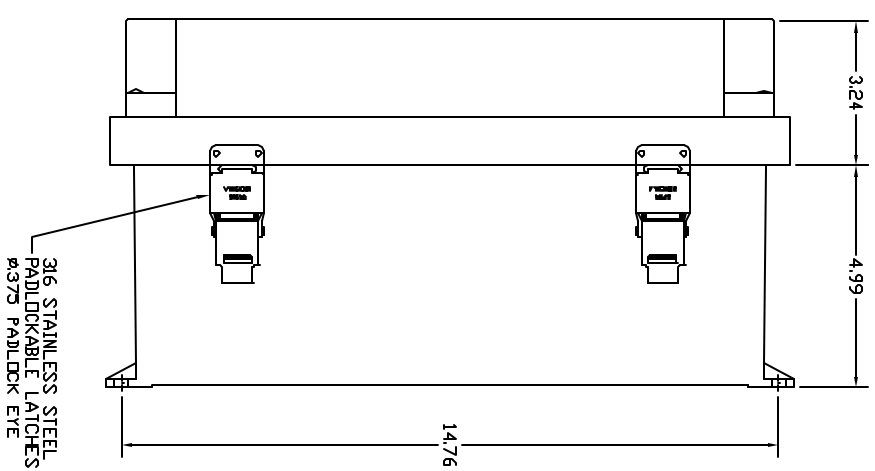


REVISIONS				
ZONE	REV	DESCRIPTION	DATE	APPROVED

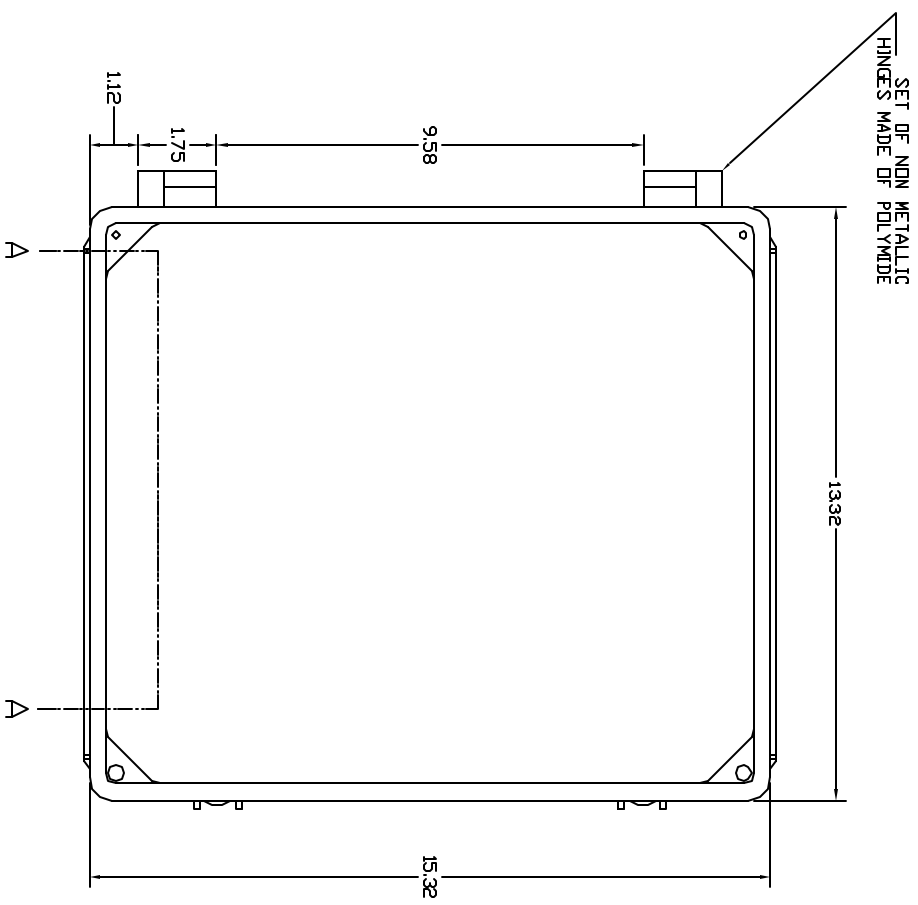
FRONT VIEW - COVER REMOVED



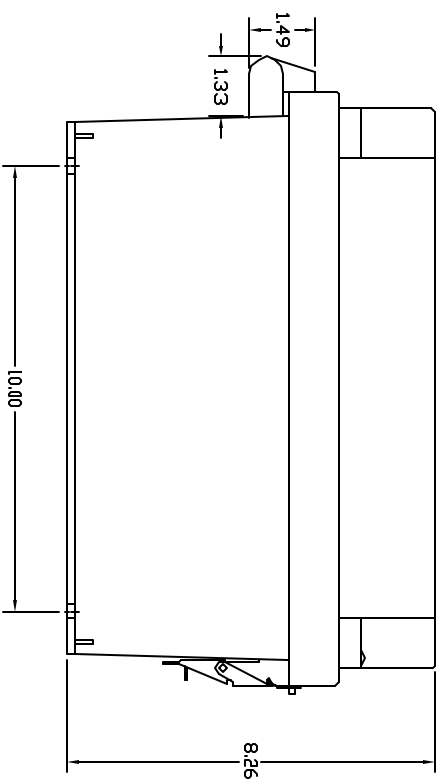
RIGHT SIDE VIEW



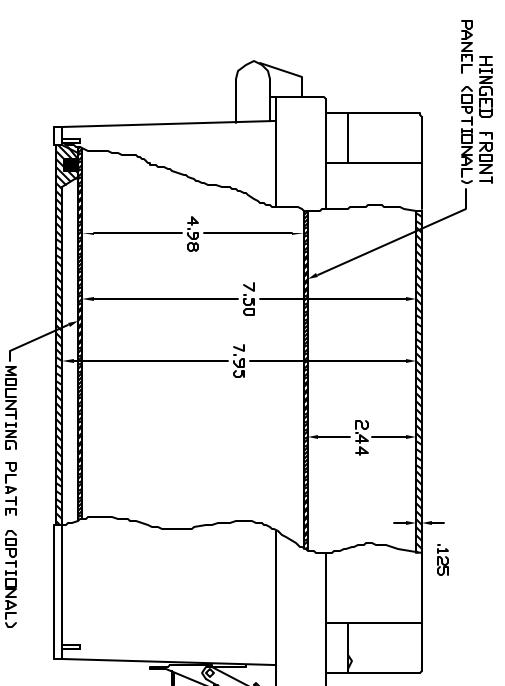
FRONT VIEW



END VIEW



SECTION A-A



- NOTES:
1. ENCLOSURE MATERIAL MADE OF GRAY (RAL 7036) HOT MOLDED FIBERGLASS REINFORCED POLYESTER.
 2. UL LISTED PER STD. 508. (FILE# ES4315)
 3. CSA CERTIFIED PER STD. C22.2 NO. 94. (FILE# LR36508)
 4. NEMA RATED TYPE 3, 3R, 3S, 4, 4X, 12 AND 13.
 5. IEC 529 RATED IP 68.
 6. RESISTANT TO TEMPERATURES UP TO 150 DEG C.
 7. SELF EXTINGUISHING AND HALOGEN FREE.
 8. ACCESSORIES INCLUDE: BACK PANELS, HINGEABLE FRONT PLATES, HINGED COVERS, PRINT POCKET, LATCHES, WINDOWS, AND VENTILATORS.
 9. CABINETS ARE MAINTENANCE FREE AND CORROSION RESISTANT.

UNLESS OTHERWISE SPECIFIED DIMENSIONS ARE IN INCHES DECIMALS .0005 ± .0005 .010 ± .010 DO NOT SCALE DRAWINGS		WNCICKER ENCLOSURE SYSTEMS LTD. WJ SERIES ENCLOSURE WNCICKER PART# RVJ1412NHVPL2	
DRAWN KEITH CHAPMAN	DATE 02/22/04	SIZE D	DWG NO. RVJ1412NHVPL2
CHECKED DESIGN		SCALE FULL	SHEET 1 OF 1

THE DIMENSIONS OF THE COVER AND FRONT PANELS ARE NOT TO SCALE. DIMENSIONS ARE GIVEN IN INCHES TO THREE DECIMALS. ALL DIMENSIONS ARE TO UNLESS OTHERWISE SPECIFIED.