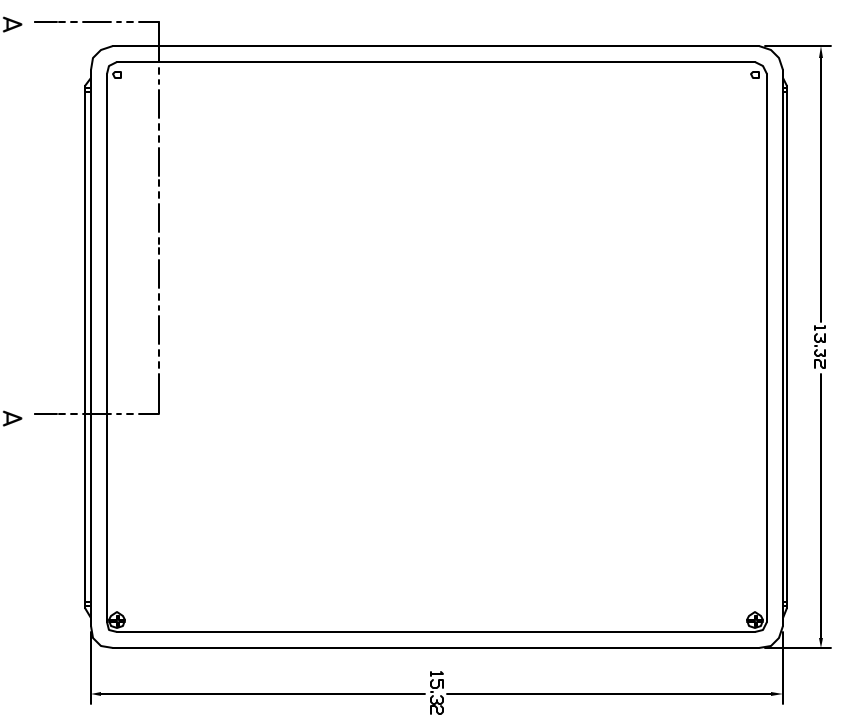
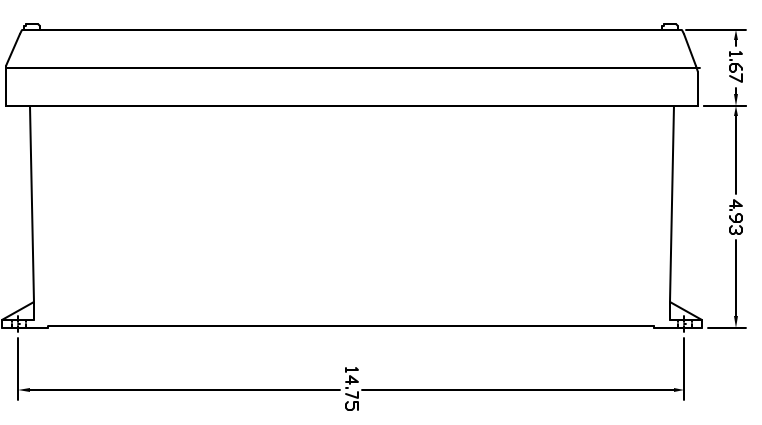


REVISIONS				
ZONE	REV	DESCRIPTION	DATE	APPROVED

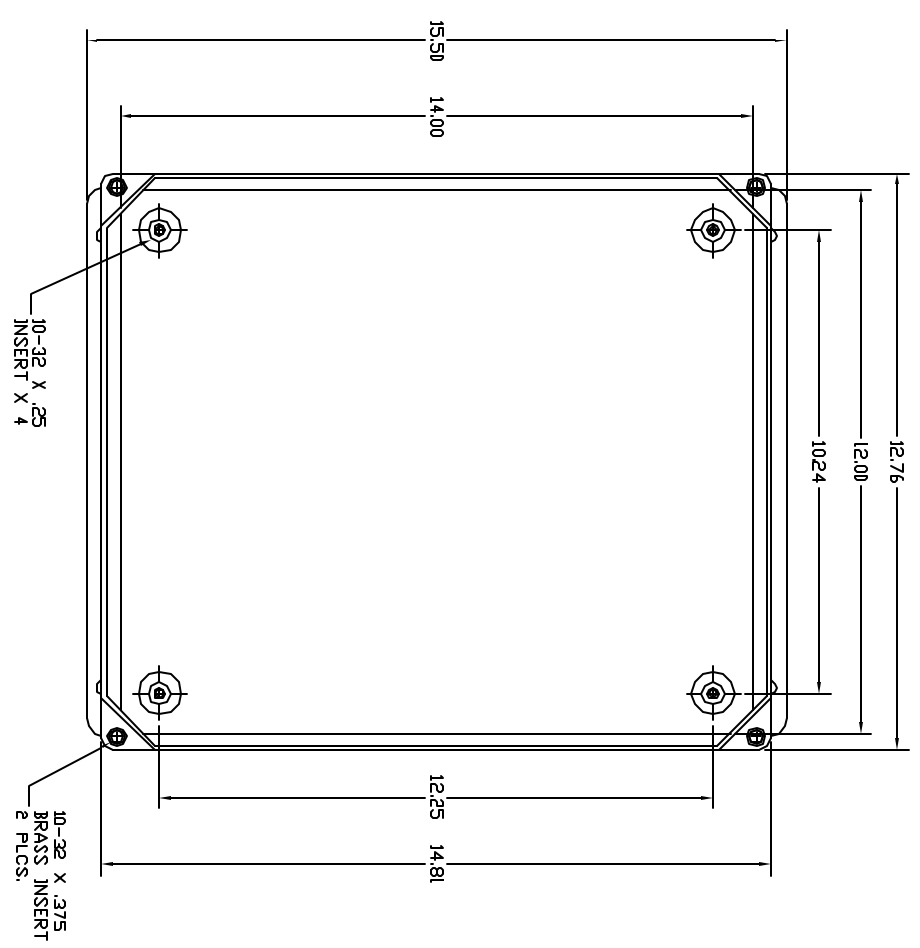
FRONT VIEW



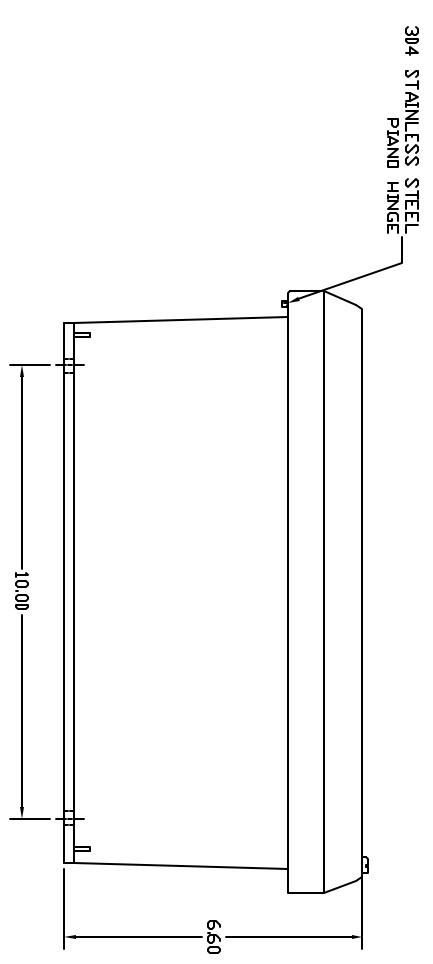
RIGHT SIDE VIEW



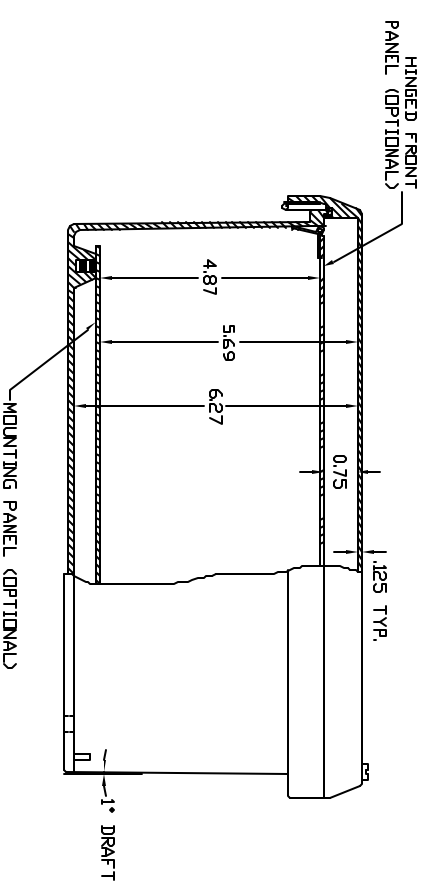
FRONT VIEW - COVER REMOVED



END VIEW



SECTION A-A



- NOTES:
- ENCLOSURE MATERIAL MADE OF GRAY (RAL 7036) HOT MOLDED FIBERGLASS REINFORCED POLYESTER.
 - UL LISTED PER STD. 508. (FILE# E54315)
 - CSA CERTIFIED PER STD. C22.2 NO. 94. (FILE# LR36508)
 - NEMA RATED TYPE 3, 3R, 3S, 4, 4X, 12 AND 13.
 - IEC 529 RATED IP 68.
 - RESISTANT TO TEMPERATURES UP TO 150 DEG C.
 - SELF EXTINGUISHING AND HALOGEN FREE.
 - ACCESSORIES INCLUDE: BACK PANELS, HINGEABLE FRONT PLATES, HINGED COVERS, PRINT POCKET, LATCHES, WINDOWS, AND VENTILATORS.
 - CABINETS ARE MAINTENANCE FREE AND CORROSION RESISTANT.

UNLESS OTHERWISE SPECIFIED: DIMENSIONS IN PARENTHESES ARE IN MILLIMETERS		DRAWN KEITH CHANMAN		DATE 2/14/01	
DECIMALS XXX ± .020 XXXX ± .000		CHECKED KEITH CHANMAN		SIZE D	
3/16" NOT SCALE DRAWING		DESIGN		SCALE FULL	
V1 SERIES ENCLOSURE WYNCKLER PART# V11412HW		DWG NO. V11412HW		SHEET 1 OF 1	
REV 0					

FOR NAME & LOGO INFORMATION AND
FOR SPECIFICATIONS, SEE THE
ENCLOSURE SPECIFICATIONS AND CONTACT
WYNCKLER ENCLOSURE SYSTEMS INC.