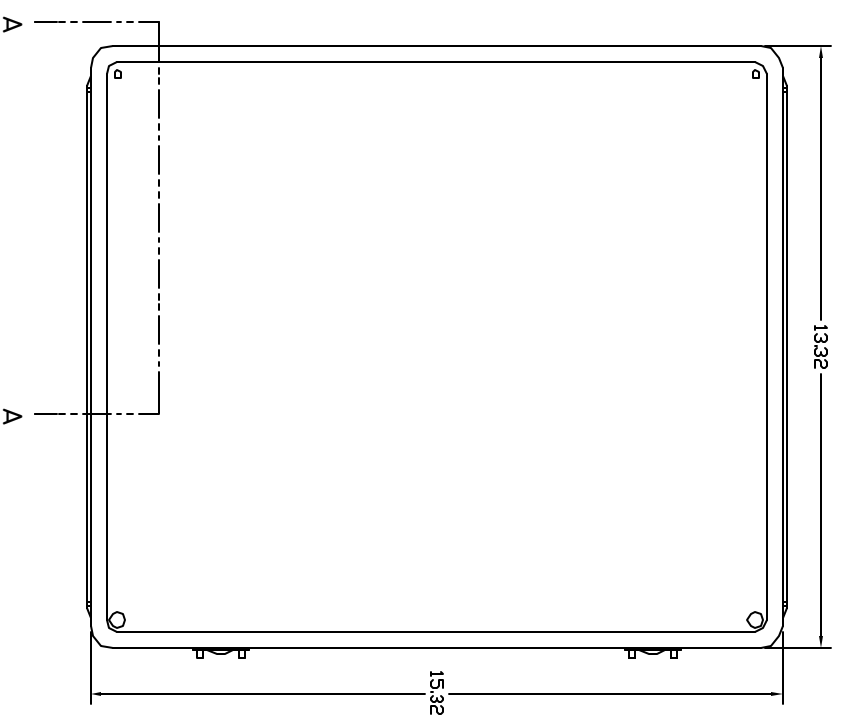
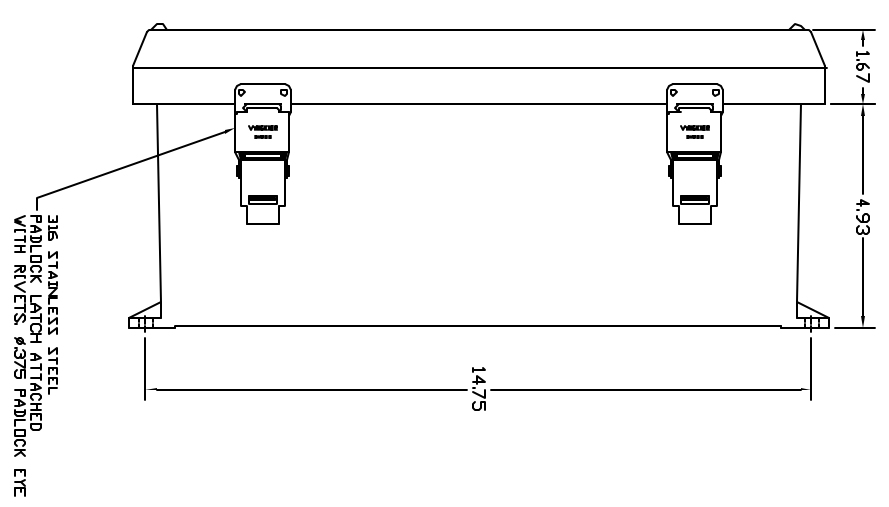


REVISIONS				
ZONE	REV	DESCRIPTION	DATE	APPROVED

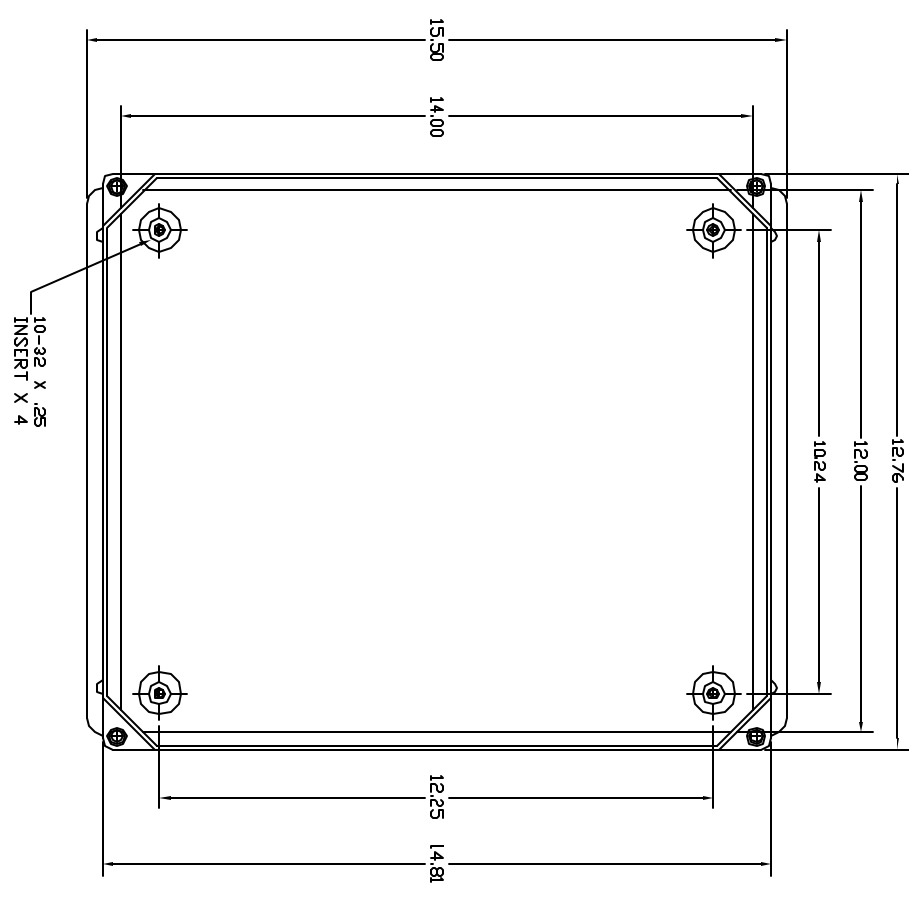
FRONT VIEW



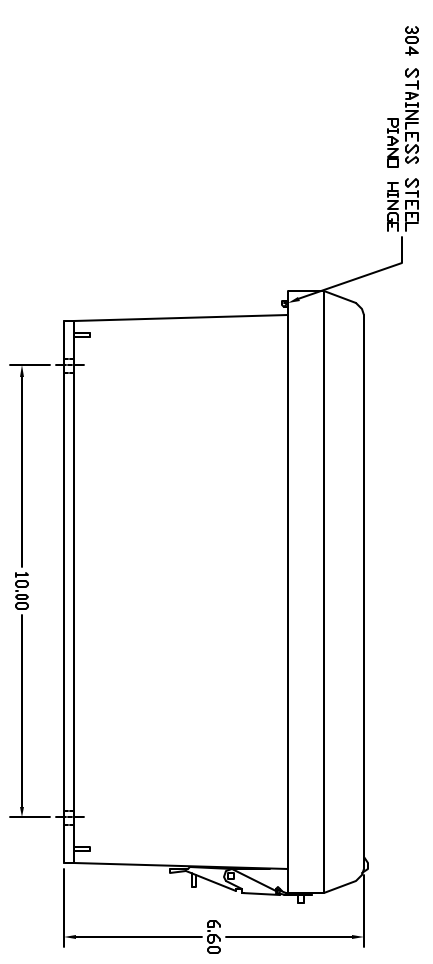
RIGHT SIDE VIEW



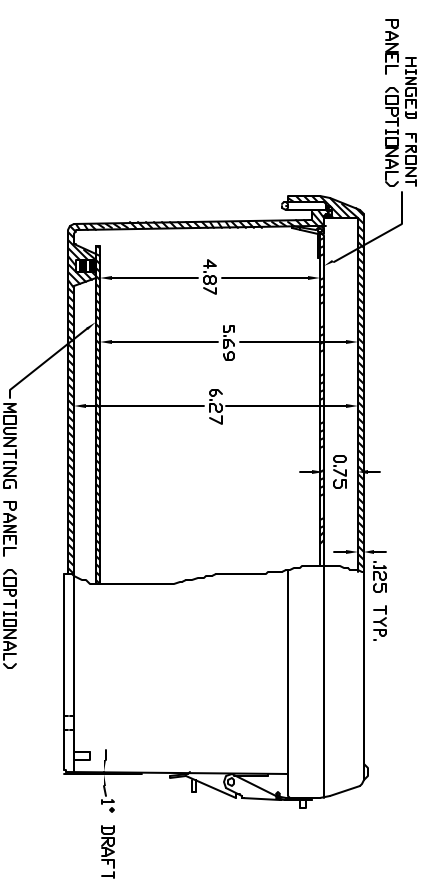
FRONT VIEW - COVER REMOVED



END VIEW



SECTION A-A



- NOTES:
- ENCLOSURE MATERIAL MADE OF GRAY (RAL 7036) HOT MOLDED FIBERGLASS REINFORCED POLYESTER.
 - U.L. LISTED PER STD. 508. (FILE# E54315)
 - CSA CERTIFIED PER STD. C22.2 NO. 94. (FILE# LR36508)
 - NEMA RATED TYPE 3, 3R, 3S, 4, 4X, 12 AND 13.
 - IEC 529 RATED IP 68.
 - RESISTANT TO TEMPERATURES UP TO 150 DEG C.
 - SELF EXTINGUISHING AND HALOGEN FREE.
 - ACCESSORIES INCLUDE: BACK PANELS, HINGEABLE FRONT PLATES, HINGED COVERS, PRINT POCKET, LATCHES, WINDOWS, AND VENTILATORS.
 - CABINETS ARE MAINTENANCE FREE AND CORROSION RESISTANT.

UNLESS OTHERWISE SPECIFIED:
DIMENSIONS IN MILLIMETERS
DECIMALS ±.020 FRACTIONS ±.0005
XXX ±.020 XXXXX ±.0008
DO NOT SCALE DRAWING

DESIGNER: KEVIN CHAPMAN DATE: 2/14/01
CHECKED: DESIGN

SCALE: FULL SHEET 1 OF 1

REV 0

WYCKLER ENCLOSURE SYSTEMS LTD.
VI SERIES ENCLOSURE
WYCKLER PART# VJ1412HWPL2

DESIGNER: KEVIN CHAPMAN DATE: 2/14/01
CHECKED: DESIGN

SIZE: F50M NO. DWG NO. VJ1412HWPL2