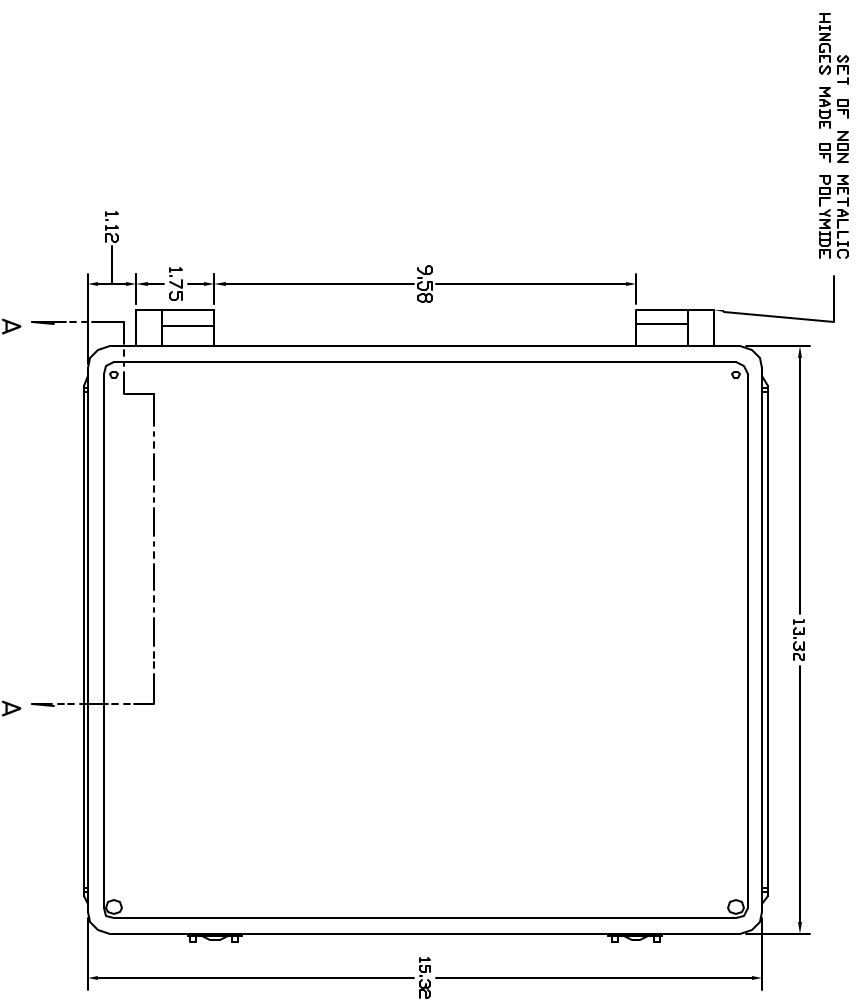
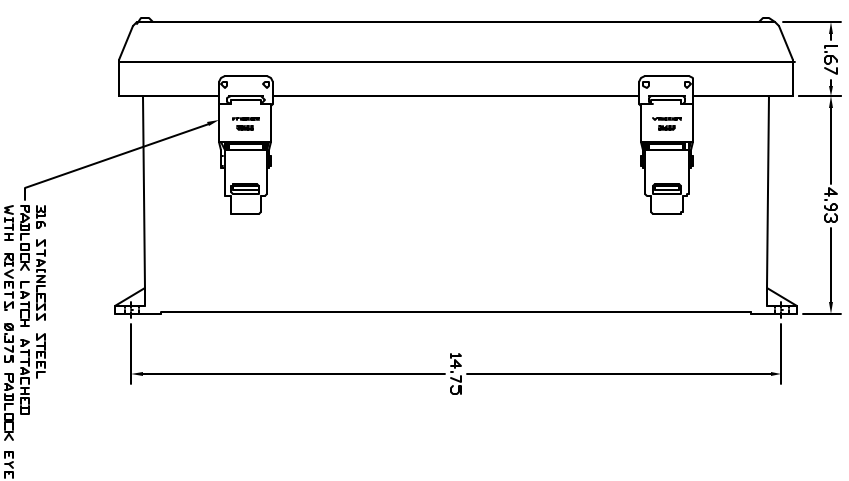


REVISIONS				
ZONE	REV	DESCRIPTION	DATE	APPROVED

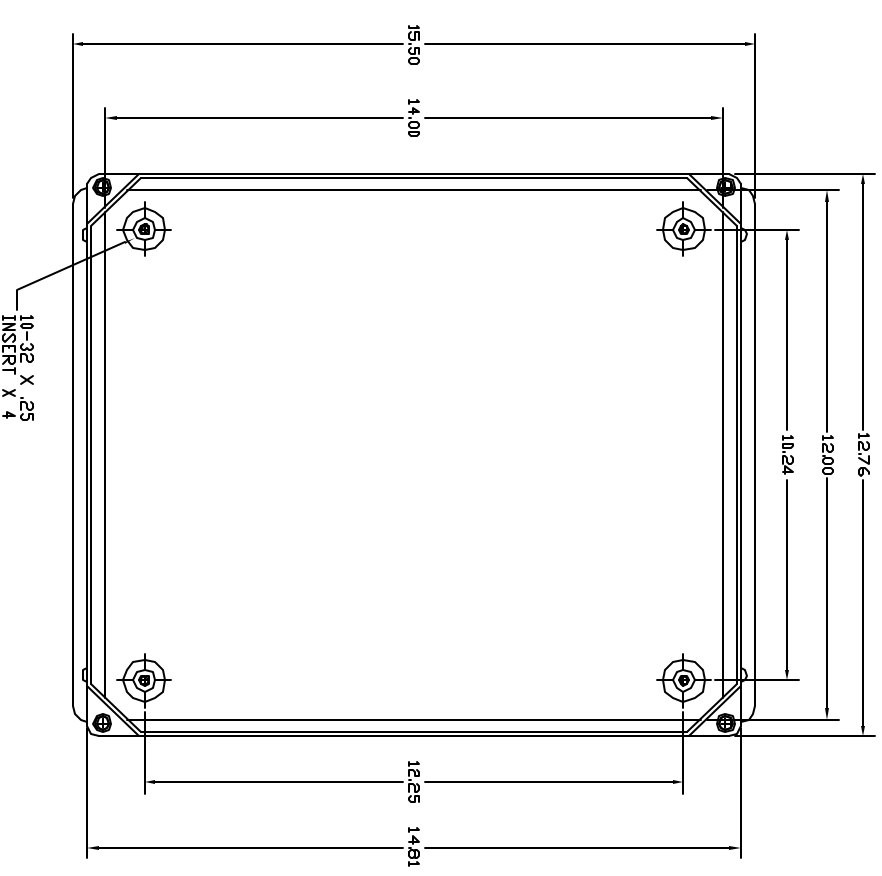
FRONT VIEW



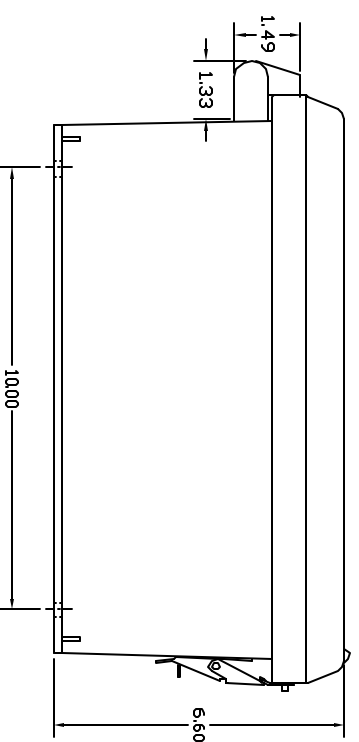
RIGHT SIDE VIEW



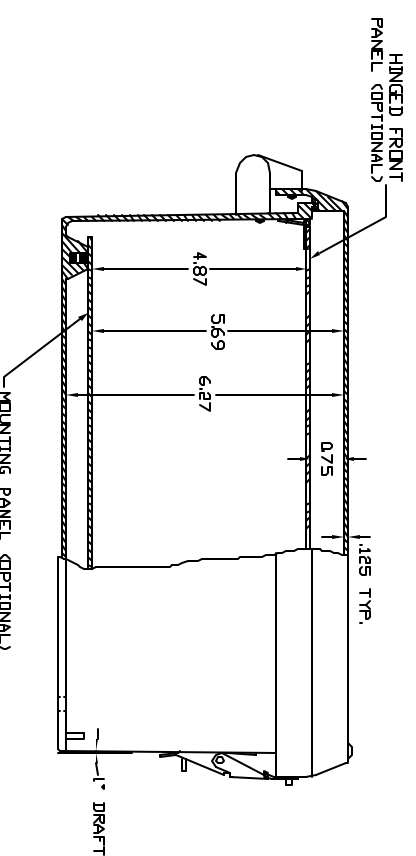
FRONT VIEW—COVER REMOVED



END VIEW



SECTION A-A



- NOTES:
1. ENCLOSURE MATERIAL MADE OF GRAY (RAL 7036) HOT MOLDED FIBERGLASS REINFORCED POLYESTER.
 2. U.L. LISTED PER STD. 508. (FILE# ES4-315)
 3. CSA CERTIFIED PER STD. C22.2 NO. 94. (FILE# LR36508)
 4. NEMA RATED TYPE 3, 3R, 3S, 4, 4X, 12 AND 13.
 5. IEC 529 RATED IP 68.
 6. RESISTANT TO TEMPERATURES UP TO 150 DEG C.
 7. SELF EXTINGUISHING AND HALOGEN FREE.
 8. ACCESSORIES INCLUDE: BACK PANELS, HINGEABLE FRONT PLATES, HINGED COVERS, PRINT POCKET, LATCHES, WINDOWS, AND VENTILATORS.
 9. CABINETS ARE MAINTENANCE FREE AND CORROSION RESISTANT.

<p>UNLESS OTHERWISE SPECIFIED DIMENSIONS ARE IN INCHES DECIMALS FRACTIONS .0005 ± .0015 DO NOT SCALE DRAWINGS</p>		<p>THE DRAWING IS THE PROPERTY OF WYCKLER ENCLOSURE SYSTEMS LTD. IT IS TO BE KEPT IN CONFIDENTIALITY AND SHALL NOT BE REPRODUCED OR TRANSMITTED IN ANY FORM OR BY ANY MEANS WITHOUT WRITTEN PERMISSION FROM WYCKLER ENCLOSURE SYSTEMS LTD.</p>	
DESIGN	DATE	SCALE	SHEET
<p>WYCKLER ENCLOSURE SYSTEMS LTD. VJ SERIES ENCLOSURE WYCKLER PART# WJ1412NHWP/2</p>	<p>2/11/01</p>	<p>D FULL</p>	<p>1 OF 1</p>
<p>WYCKLER ENCLOSURE SYSTEMS LTD. VJ1412NHWP/2</p>	<p>REV 0</p>	<p>DATE</p>	<p>APPROVED</p>