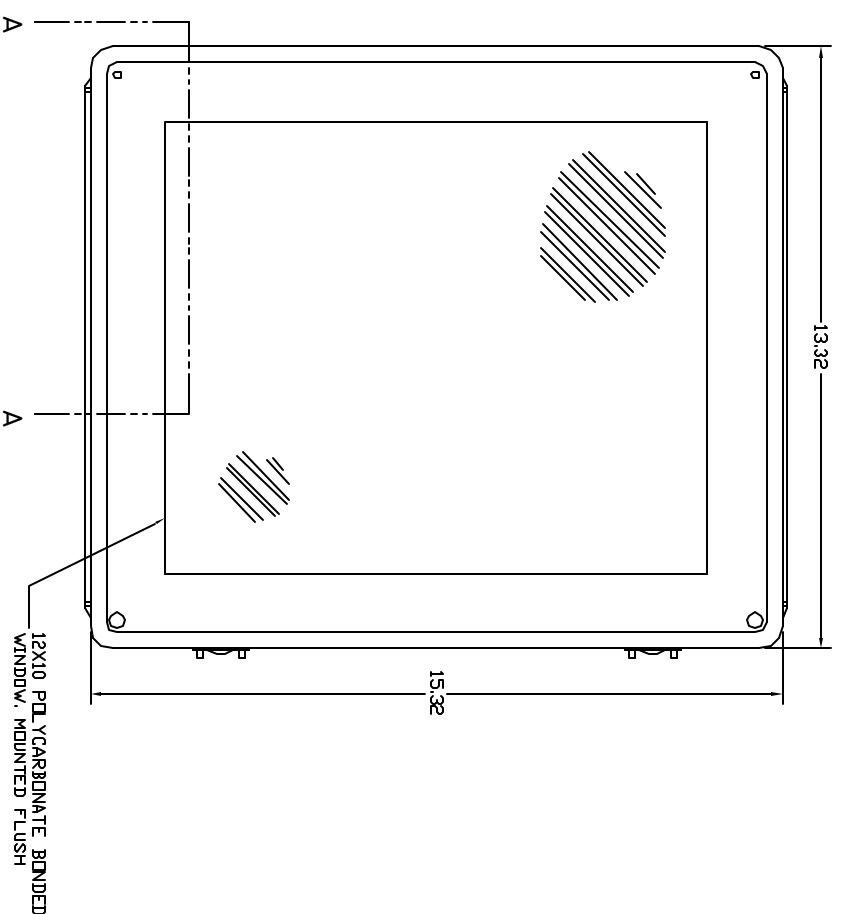
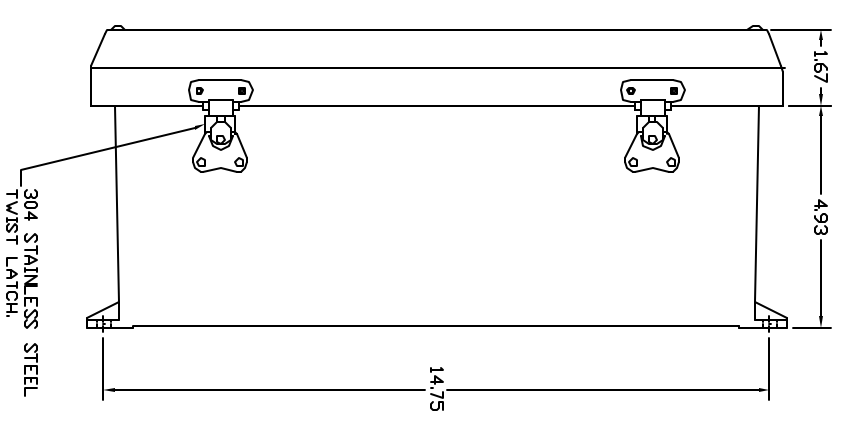


REVISIONS		DESCRIPTION	DATE	APPROVED
ZONE	REV			

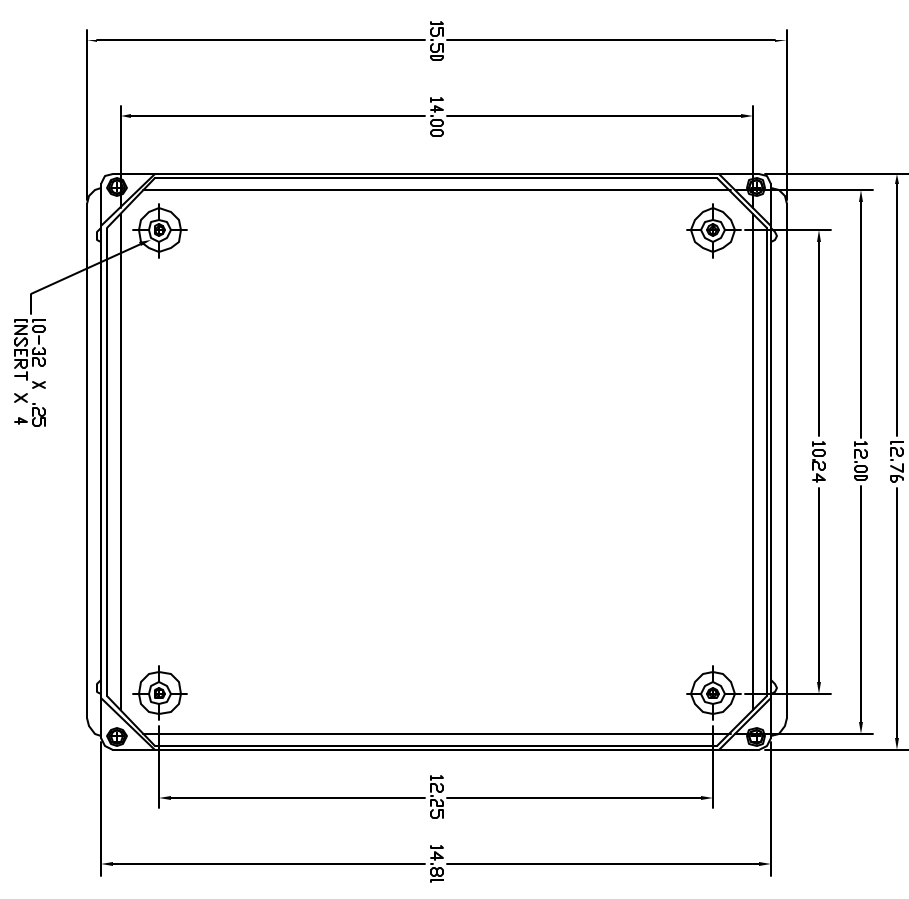
FRONT VIEW



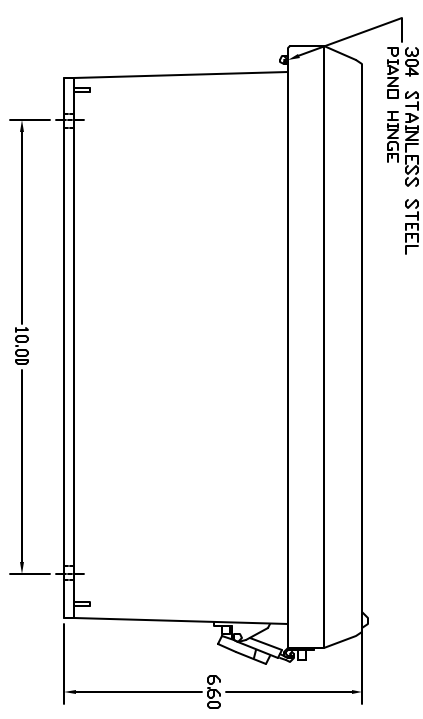
RIGHT SIDE VIEW



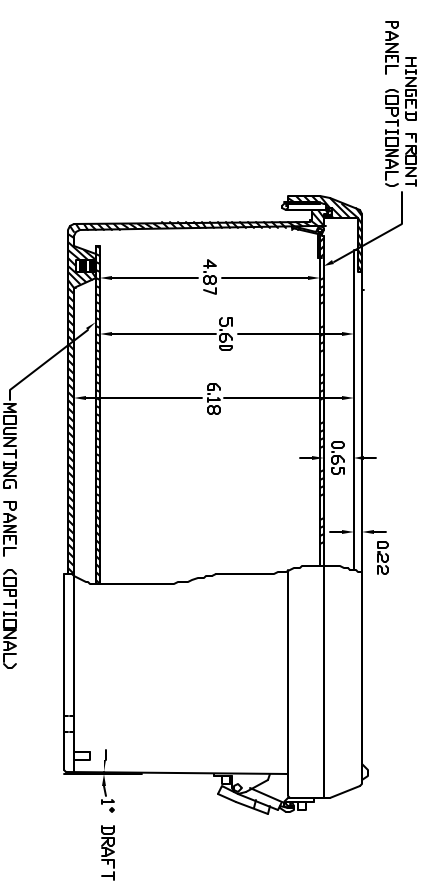
FRONT VIEW—COVER REMOVED



END VIEW



SECTION A-A



- NOTES:
- ENCLOSURE MATERIAL MADE OF GRAY (RAL 7036) HOT MOLDED FIBERGLASS REINFORCED POLYESTER.
 - U.L. LISTED PER STD. 508. (FILE# E54315)
 - CSA CERTIFIED PER STD. C22.2 NO. 94. (FILE# LR36508)
 - NEMA RATED TYPE 3, 3R, 3S, 4, 4X, 12 AND 13.
 - IEC 529 RATED IP 68.
 - RESISTANT TO TEMPERATURES UP TO 150 DEG C.
 - SELF EXTINGUISHING AND HALOGEN FREE.
 - ACCESSORIES INCLUDE: BACK PANELS, HINGEABLE FRONT PLATES, HINGED COVERS, PRINT POCKET, LATCHES, WINDOWS, AND VENTILATORS.
 - CABINETS ARE MAINTENANCE FREE AND CORROSION RESISTANT.

UNLESS OTHERWISE SPECIFIED: DIMENSIONS IN PARENTS ARE IN INCHES DIMENSIONS IN BRACKETS ARE IN MILLIMETERS		DRAWN KEITH CHANMAN		DATE 2/19/01	
V6 SERIES ENCLOSURE WYNCKLER PART# VJ01412HWL2		DESIGN KEITH CHANMAN		REV 0	
WYNCKLER ENCLOSURE SYSTEMS LTD.		SIZE FULL		SHEET 1 OF 1	

FOR DRAWING & IEC COMPLIANCE AND
FOR INFORMATION ON THE WYNCKLER
PRODUCTS, CONTACT US AT
WYNCKLER ENCLOSURE SYSTEMS INC.